

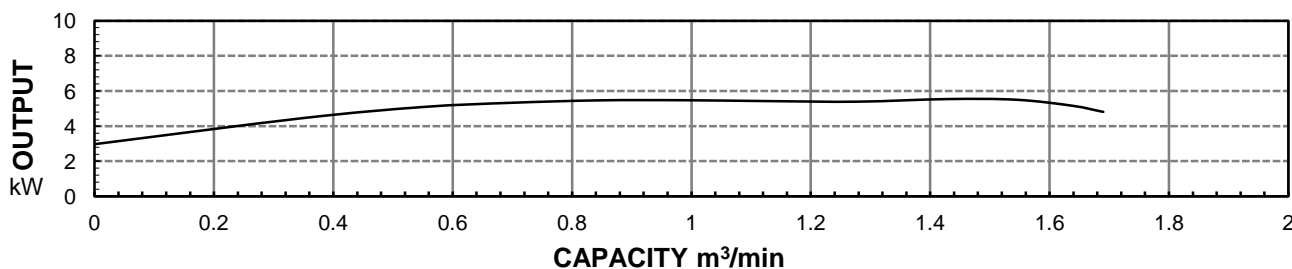
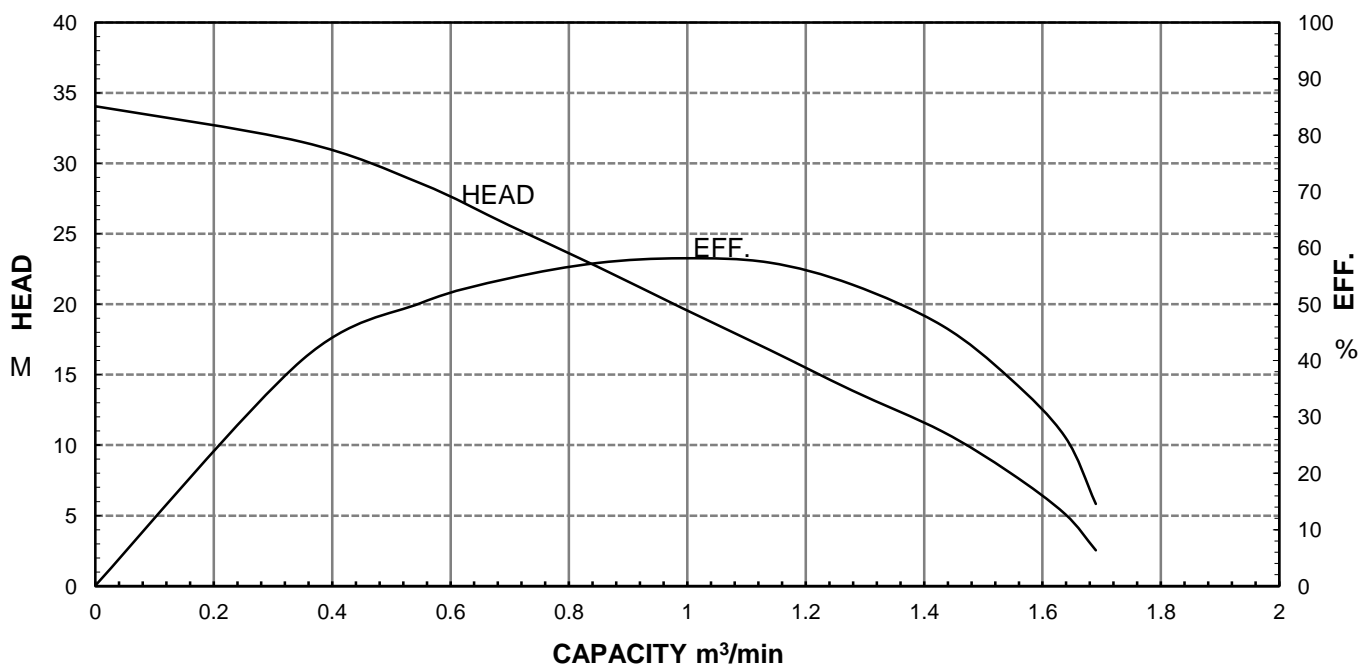


HCP PUMP

FILE NO PC-M-E5-100AL25.5

PUMP PERFORMANCE CURVES

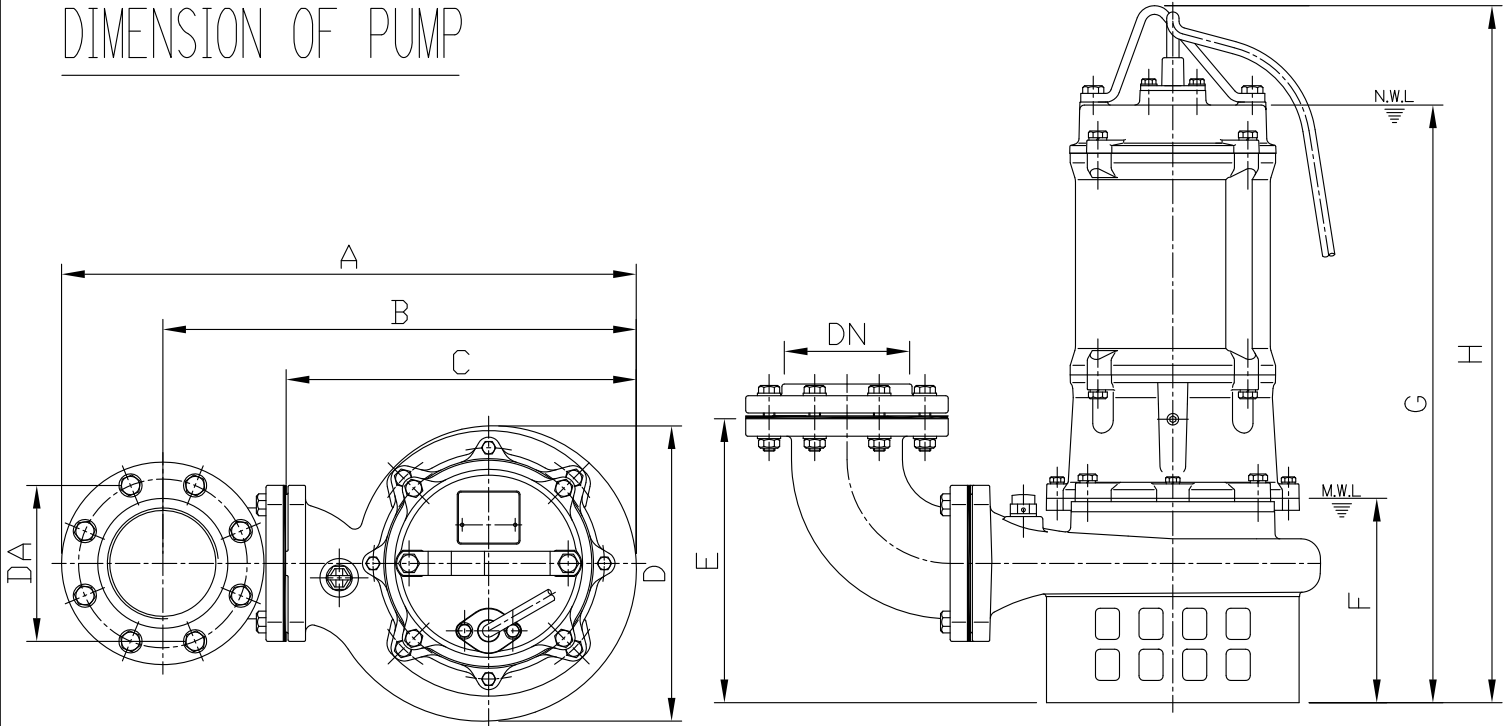
| | | | | | | |
|------------------|------------------------|--------|--------|---------------------|-------------------------|------------|
| MODEL | 100AL25.5 | | | | DATE: | 2011.12 |
| | STANDARD SPECIFICATION | | | | REFERENCE SPECIFICATION | |
| FREQUENCY | 50 | | | Hz | | |
| DISCHARGE | 4 | inch | / | 100 | mm | |
| OUTPUT | 7.5 | HP | / | 5.5 | kW | HP kW |
| HEAD | 23 | | | M | | |
| CAPACITY | 0.8 | | | m ³ /min | | |
| PHASE/VOLTAGE | 3 φ | 230 V | 380 V | 400 V | 415 V | φ V |
| RATED CURRENT | | 20.4 A | 11.8 A | 11.6 A | 11.0 A | A |
| POLE / R.P.M. | 2 | P | / | 2860 | R.P.M. | |
| START METHOD | DIRECT | | | | | |
| INSULATION CLASS | F | | | | | |
| REMARK | | | | | | |



HCP PUMP MANUFACTURER CO.,LTD.

MODEL: 100AL25.5;100AL27.5

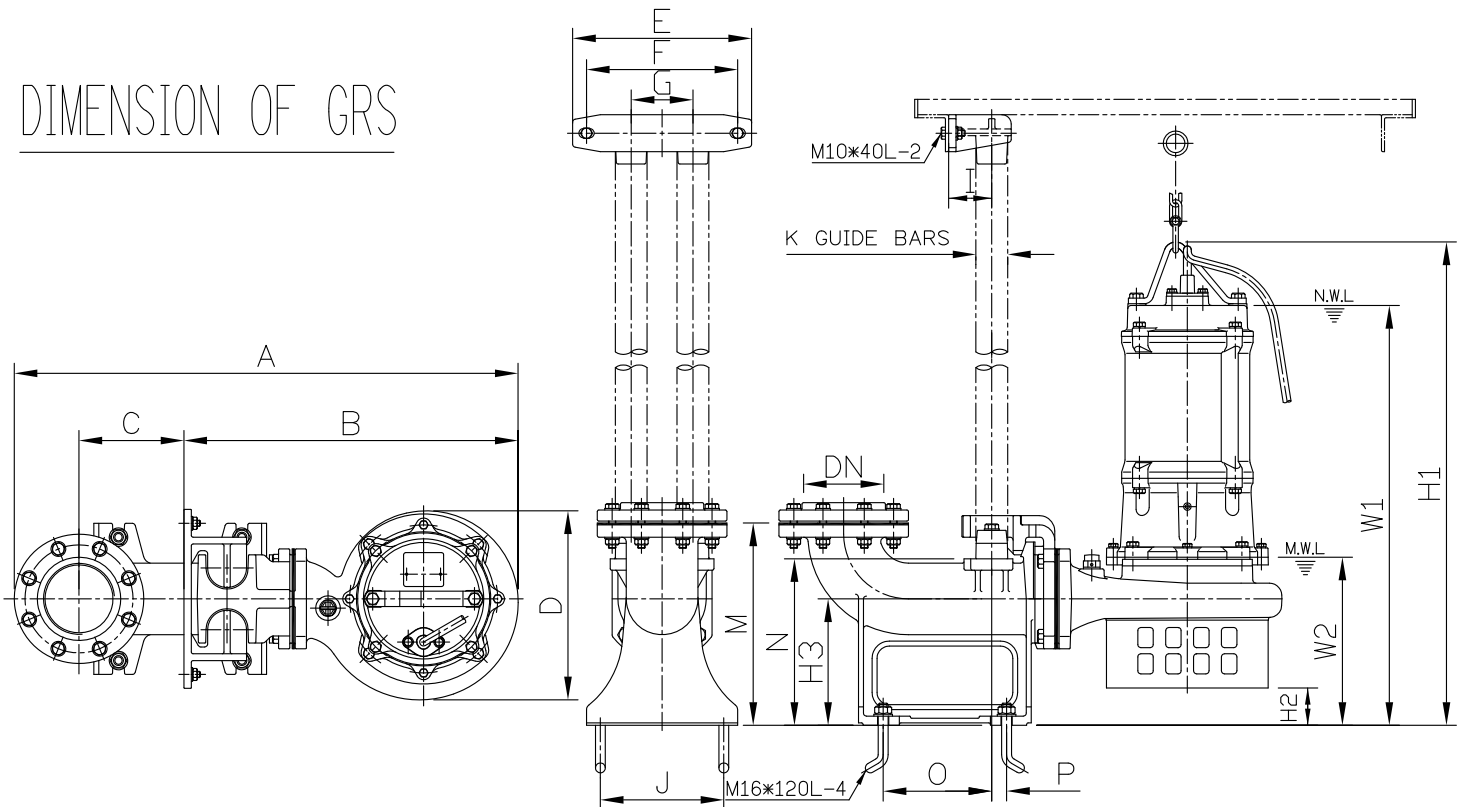
DIMENSION OF PUMP



| Model | DN | DA | A | B | C | D | E | F | G | H |
|-----------|-----|-----|-----|-----|-----|-----|-----|-----|-----|-----|
| 100AL25.5 | 100 | 175 | 597 | 491 | 363 | 307 | 295 | 210 | 620 | 723 |
| 100AL27.5 | 100 | 175 | 597 | 491 | 363 | 307 | 295 | 210 | 620 | 723 |

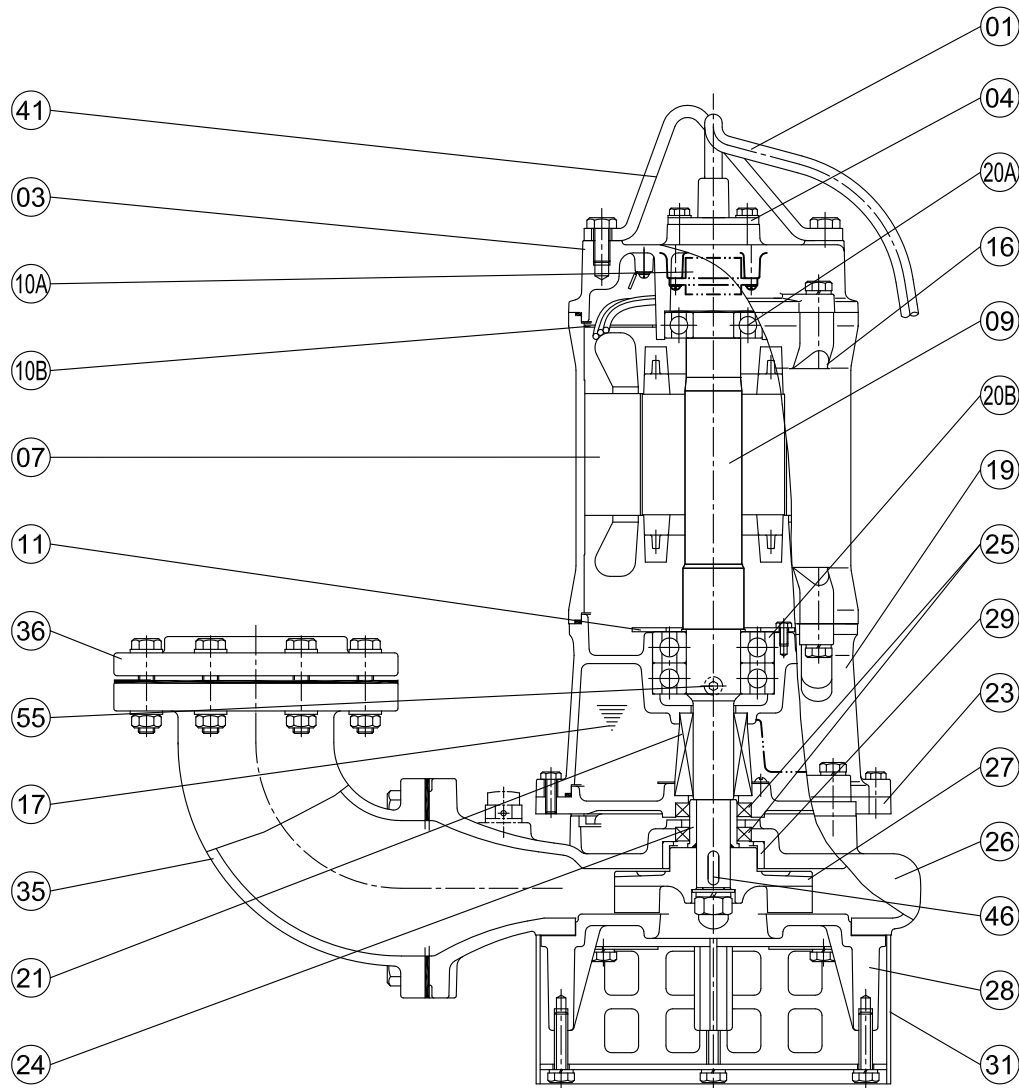
N.W.L.: Normal water level
M.W.L.: Minimum water level

DIMENSION OF GRS



| Model | DN | A | B | C | D | E | F | G | I | J | K | M | N | O | P | W1 | W2 | H1 | H2 | H3 |
|-----------|-----|-----|-----|-----|-----|-----|-----|-----|----|-----|----|-----|-----|-----|----|-----|-----|-----|----|-----|
| 100AL25.5 | 100 | 817 | 542 | 170 | 307 | 290 | 245 | 100 | 70 | 200 | 2" | 325 | 270 | 176 | 24 | 680 | 270 | 783 | 60 | 205 |
| 100AL27.5 | 100 | 817 | 542 | 170 | 307 | 290 | 245 | 100 | 70 | 200 | 2" | 325 | 270 | 176 | 24 | 680 | 270 | 783 | 60 | 205 |

MODEL: 100AL25.5;100AL27.5



| No. | Part name | Material | QTY | Remark |
|-----|-------------------|------------------------|-----|-----------------------|
| 01 | Cable | | 1 | VCT/H07RN-F UL/CSA |
| 03 | Upper cover | FC-200 | 1 | |
| 04 | Cable base cover | SUS304 | 1 | |
| 07 | Stator | | 1 | |
| 09 | Shaft(with Rotor) | SUS420J2 | 1 | |
| 10A | Auto-cut | | 1 | |
| 10B | Auto-cut plate | | 1 | |
| 11 | Bearing fixer | | 1 | |
| 16 | Motor frame | FC-200 | 1 | |
| 17 | Lubricant | Turbine oil #32 | 1 | |
| 19 | Bearing bracket | FC-200 | 1 | |
| 20A | Upper bearing | | 1 | |
| 20B | Lower bearing | | 1 | |
| 21 | M. seal | CA VS CE SIC VS SIC | 1 | |
| 23 | M. seal bracket | FC-200 | 1 | |

| No. | Part name | Material | QTY | Remark |
|-----|-----------------|----------|-----|--------|
| 24 | Oil seal bush | SUS403 | 1 | |
| 25 | Oil seal | NBR | 2 | |
| 26 | Casing | FC-200 | 1 | |
| 27 | Impeller | FC-200 | 1 | |
| 28 | Casing cover | FC-200 | 1 | |
| 29 | Impeller bush | SUS403 | 1 | |
| 31 | Strainer | SS41 | 1 | |
| 35 | Coupling | FC-200 | 1 | |
| 36 | Flange | FC-200 | 1 | |
| 41 | Handle | SS41 | 1 | |
| 46 | Impeller key | SUS304 | 1 | |
| 47 | Packing (1 set) | | 1 | |
| 55 | Oil plug | SUS304 | 1 | |
| | | | | |
| | | | | |