

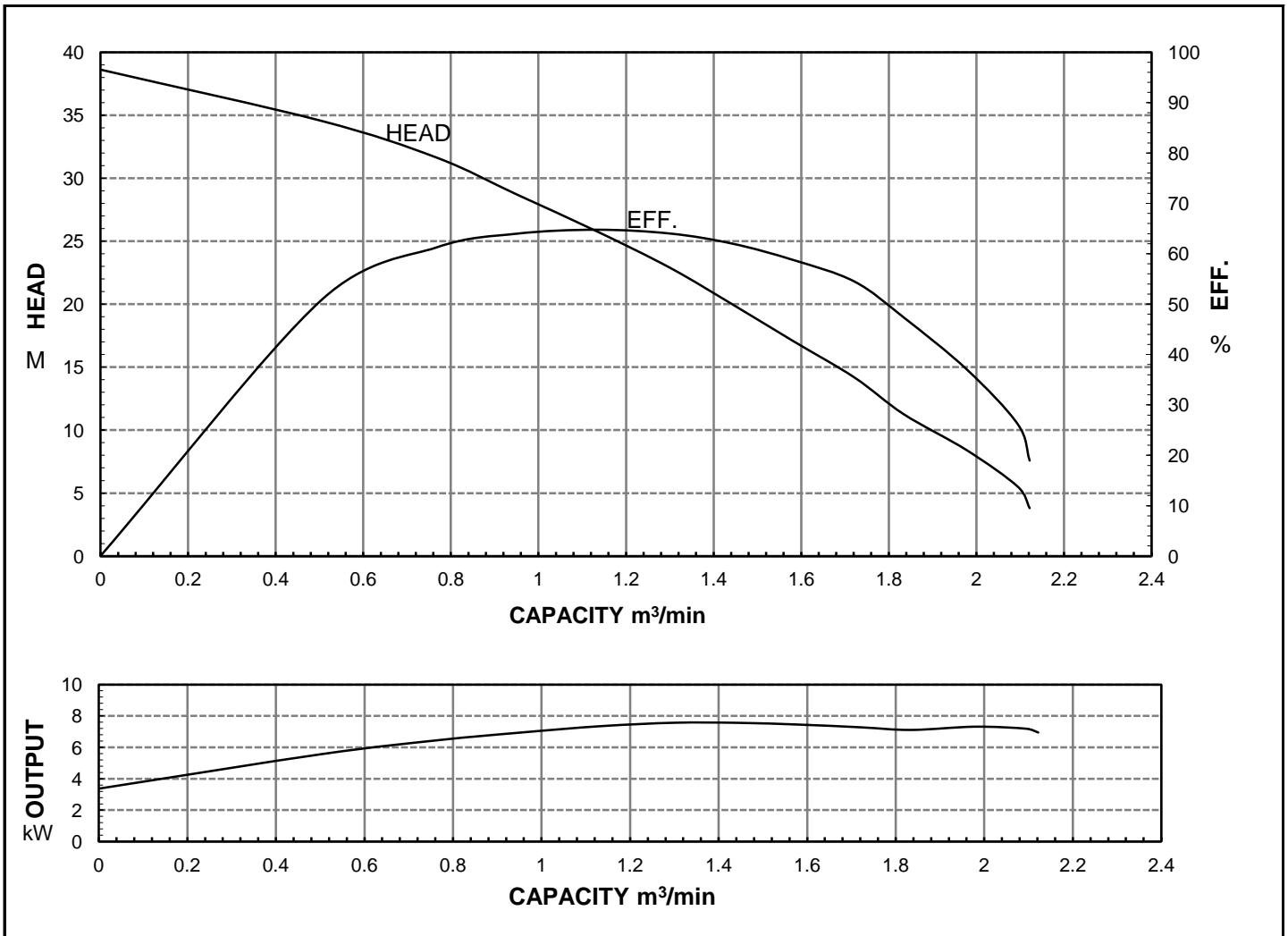


HCP PUMP

FILE NO PC-M-E5-100AL27.5

PUMP PERFORMANCE CURVES

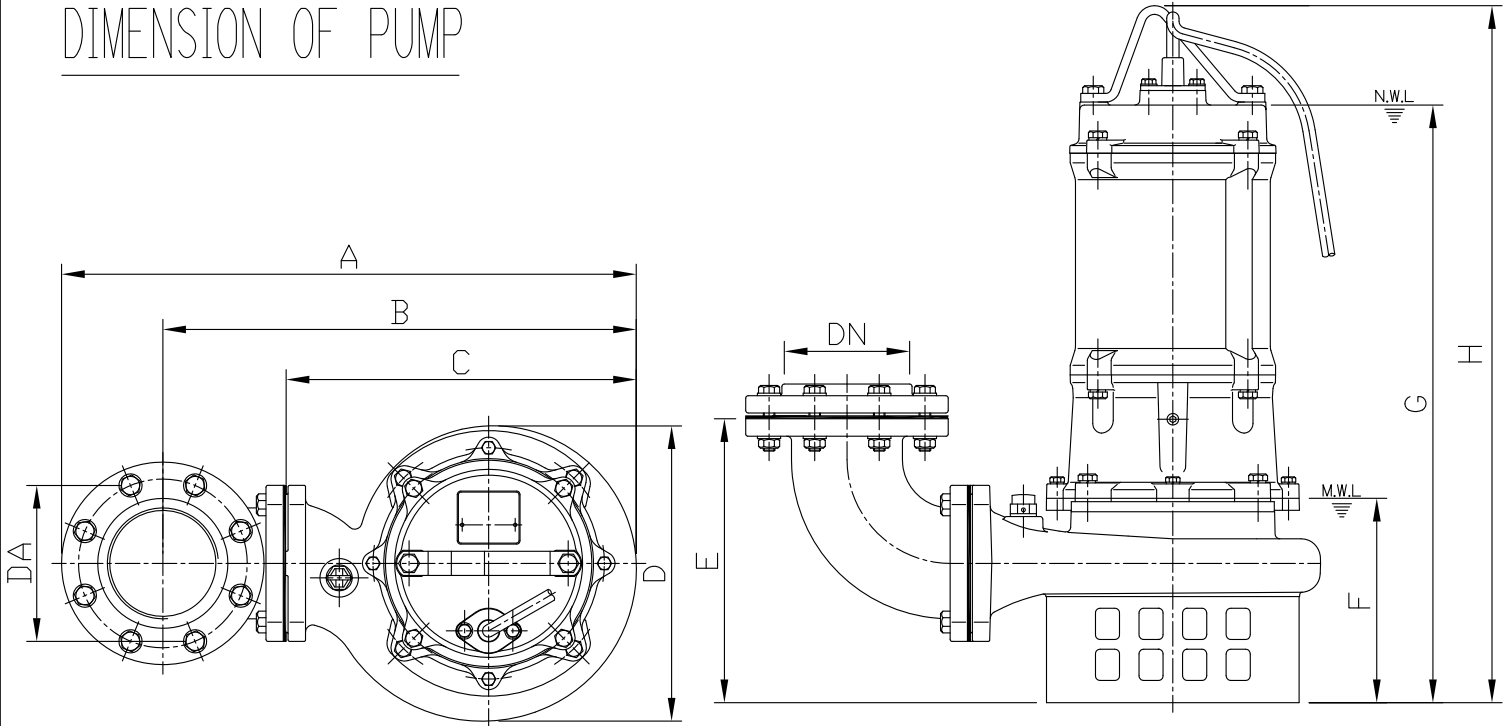
MODEL	100AL27.5				DATE:	2011.12
	STANDARD SPECIFICATION				REFERENCE SPECIFICATION	
FREQUENCY	50			Hz		
DISCHARGE	4	inch	/	100	mm	
OUTPUT	10	HP	/	7.5	kW	HP kW
HEAD	27			M		
CAPACITY	1			m ³ /min		
PHASE/VOLTAGE	3 φ	230 V	380 V	400 V	415 V	φ V
RATED CURRENT		26.4 A	15.6 A	15.3 A	14.5 A	A
POLE / R.P.M.	2	P	/	2870	R.P.M.	
START METHOD	DIRECT					
INSULATION CLASS	F					
REMARK						



HCP PUMP MANUFACTURER CO.,LTD.

MODEL: 100AL25.5;100AL27.5

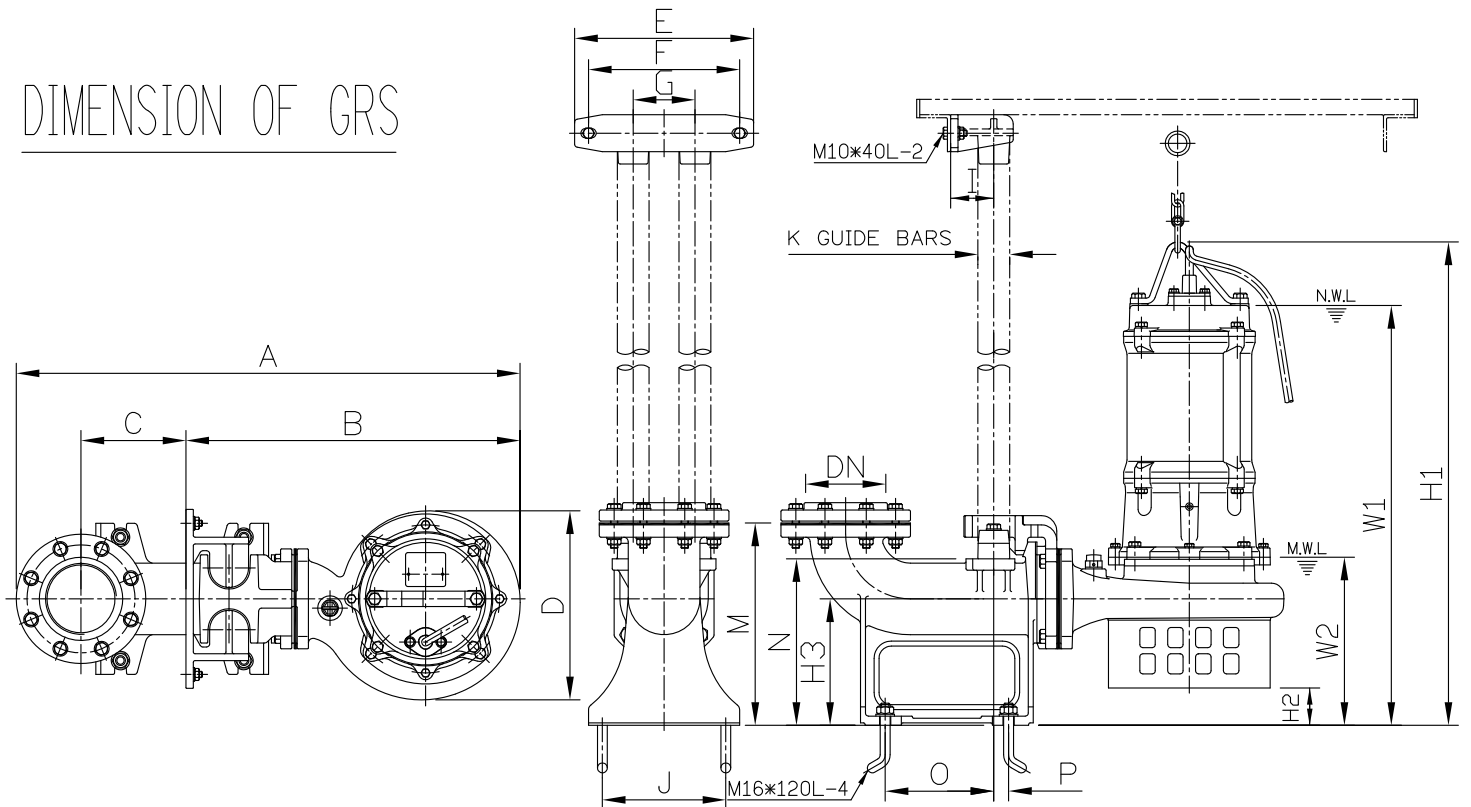
DIMENSION OF PUMP



Model	DN	DA	A	B	C	D	E	F	G	H
100AL25.5	100	175	597	491	363	307	295	210	620	723
100AL27.5	100	175	597	491	363	307	295	210	620	723

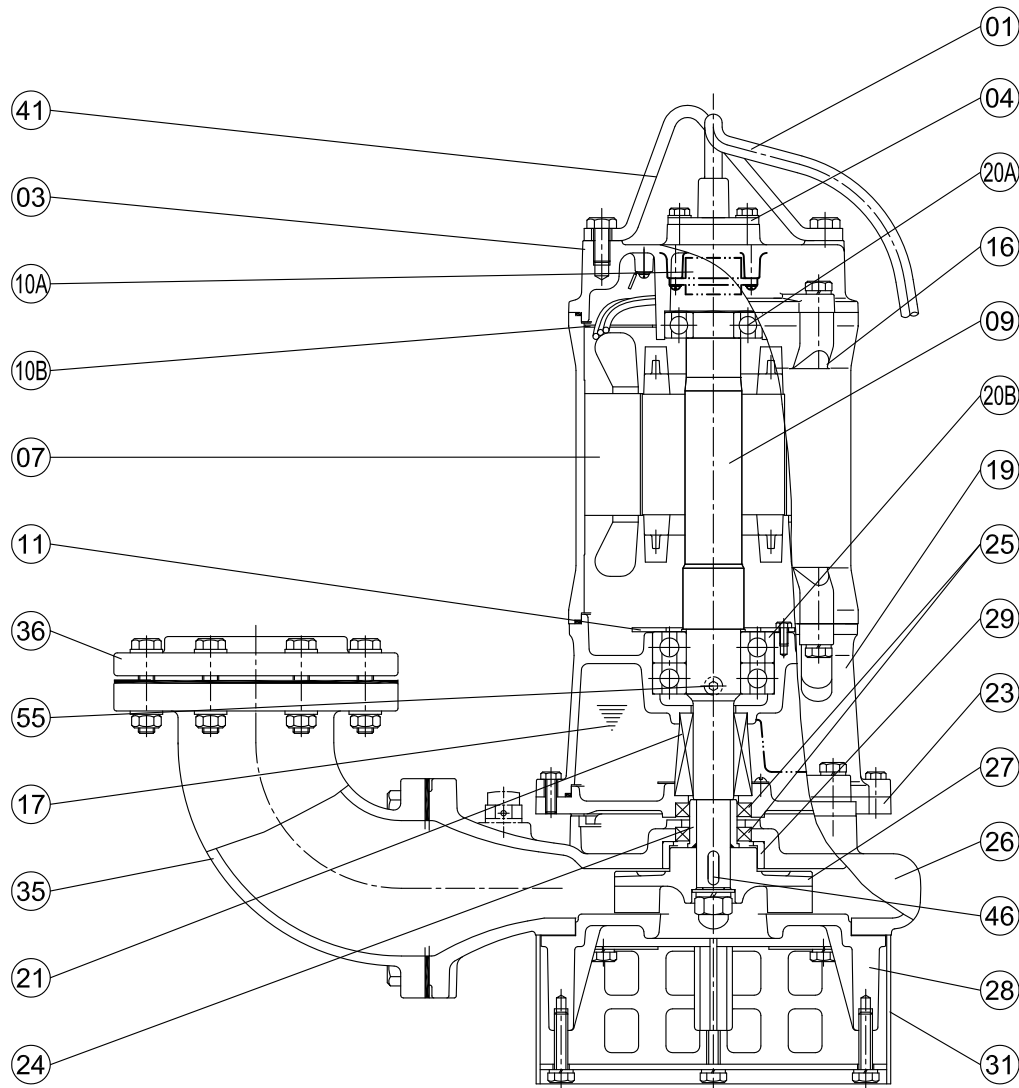
N.W.L.: Normal water level
M.W.L.: Minimum water level

DIMENSION OF GRS



Model	DN	A	B	C	D	E	F	G	I	J	K	M	N	O	P	W1	W2	H1	H2	H3
100AL25.5	100	817	542	170	307	290	245	100	70	200	2"	325	270	176	24	680	270	783	60	205
100AL27.5	100	817	542	170	307	290	245	100	70	200	2"	325	270	176	24	680	270	783	60	205

MODEL: 100AL25.5;100AL27.5



No.	Part name	Material	QTY	Remark
01	Cable		1	VCT/H07RN-F UL/CSA
03	Upper cover	FC-200	1	
04	Cable base cover	SUS304	1	
07	Stator		1	
09	Shaft(with Rotor)	SUS420J2	1	
10A	Auto-cut		1	
10B	Auto-cut plate		1	
11	Bearing fixer		1	
16	Motor frame	FC-200	1	
17	Lubricant	Turbine oil #32	1	
19	Bearing bracket	FC-200	1	
20A	Upper bearing		1	
20B	Lower bearing		1	
21	M. seal	CA VS CE SIC VS SIC	1	
23	M. seal bracket	FC-200	1	

No.	Part name	Material	QTY	Remark
24	Oil seal bush	SUS403	1	
25	Oil seal	NBR	2	
26	Casing	FC-200	1	
27	Impeller	FC-200	1	
28	Casing cover	FC-200	1	
29	Impeller bush	SUS403	1	
31	Strainer	SS41	1	
35	Coupling	FC-200	1	
36	Flange	FC-200	1	
41	Handle	SS41	1	
46	Impeller key	SUS304	1	
47	Packing (1 set)		1	
55	Oil plug	SUS304	1	