

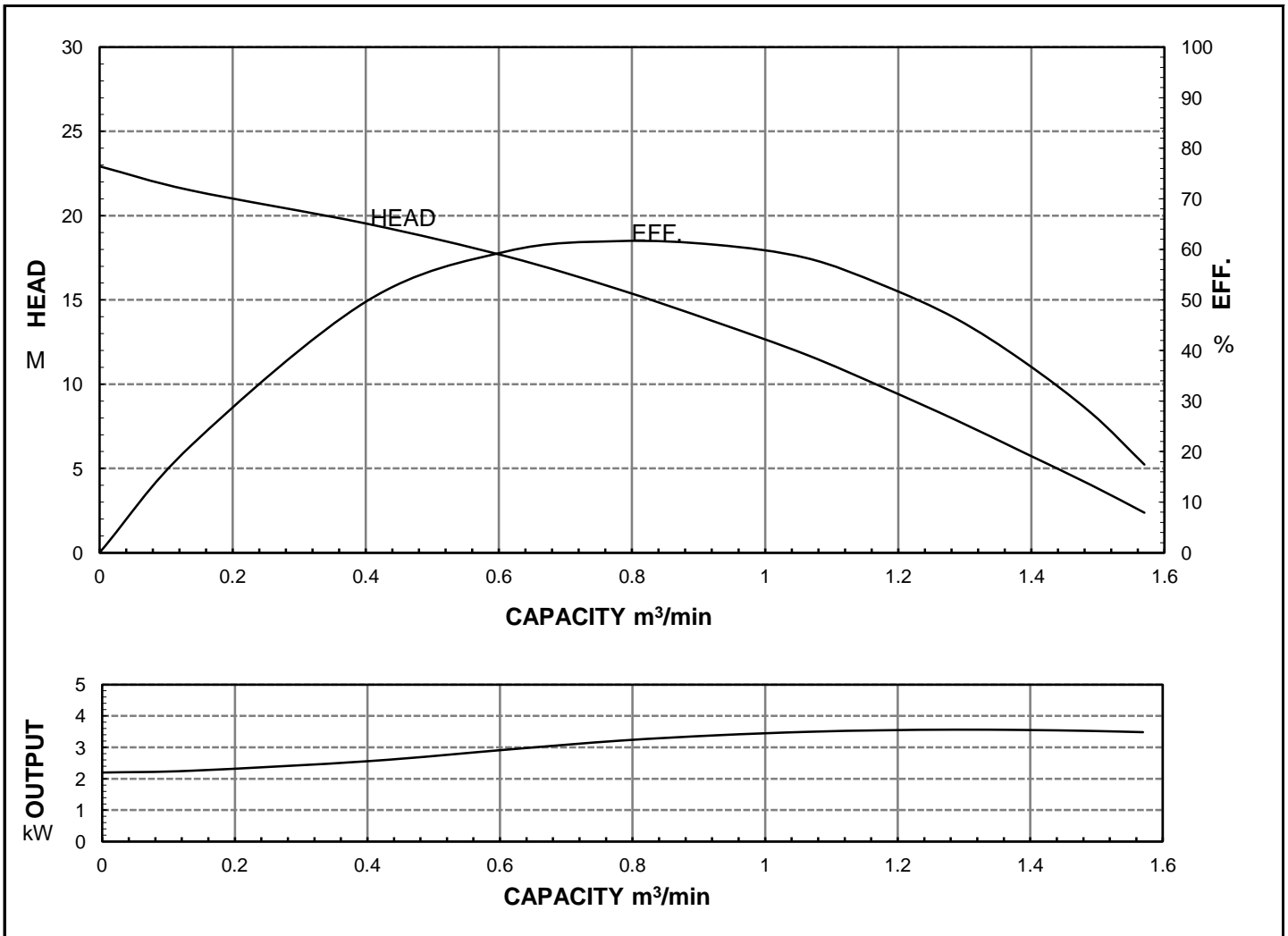


HCP PUMP

FILE NO PC-M-E5-100ASL23.7

PUMP PERFORMANCE CURVES

MODEL	100ASL23.7				DATE:	2011.12
	STANDARD SPECIFICATION				REFERENCE SPECIFICATION	
FREQUENCY	50			Hz		
DISCHARGE	4	inch	/	100	mm	
OUTPUT	5	HP	/	3.7	kW	HP kW
HEAD	12.5			M		
CAPACITY	1			m ³ /min		
PHASE/VOLTAGE	3 ϕ	230 V	380 V	400 V	415 V	ϕ V
RATED CURRENT		14.3 A	8.3 A	8.3 A	7.9 A	A
POLE / R.P.M.	2	P	/	2800	R.P.M.	
START METHOD	DIRECT					
INSULATION CLASS	B					
REMARK						



HCP PUMP MANUFACTURER CO.,LTD.

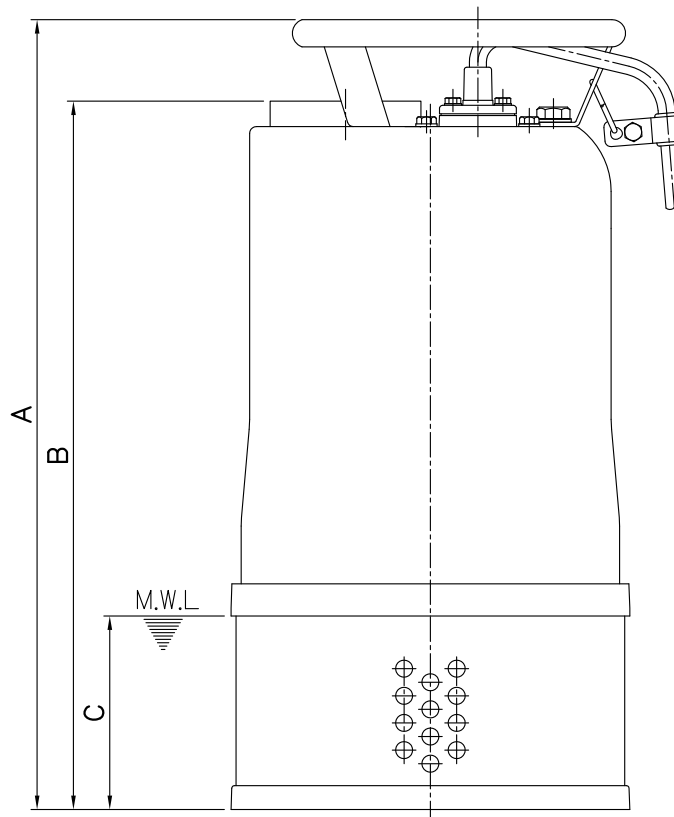
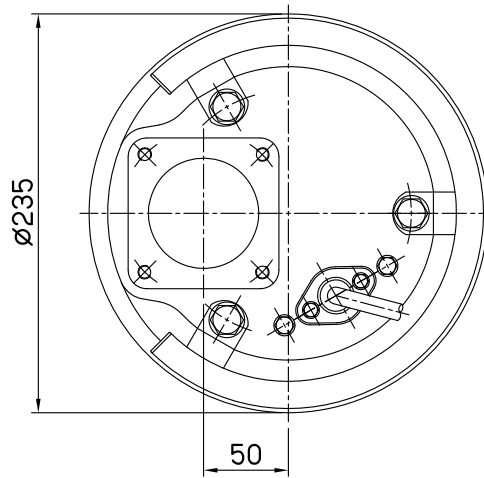
HCP PUMP

DIMENSIONAL DRAWING

No:DE-80ASN21.5

Date:2011-01

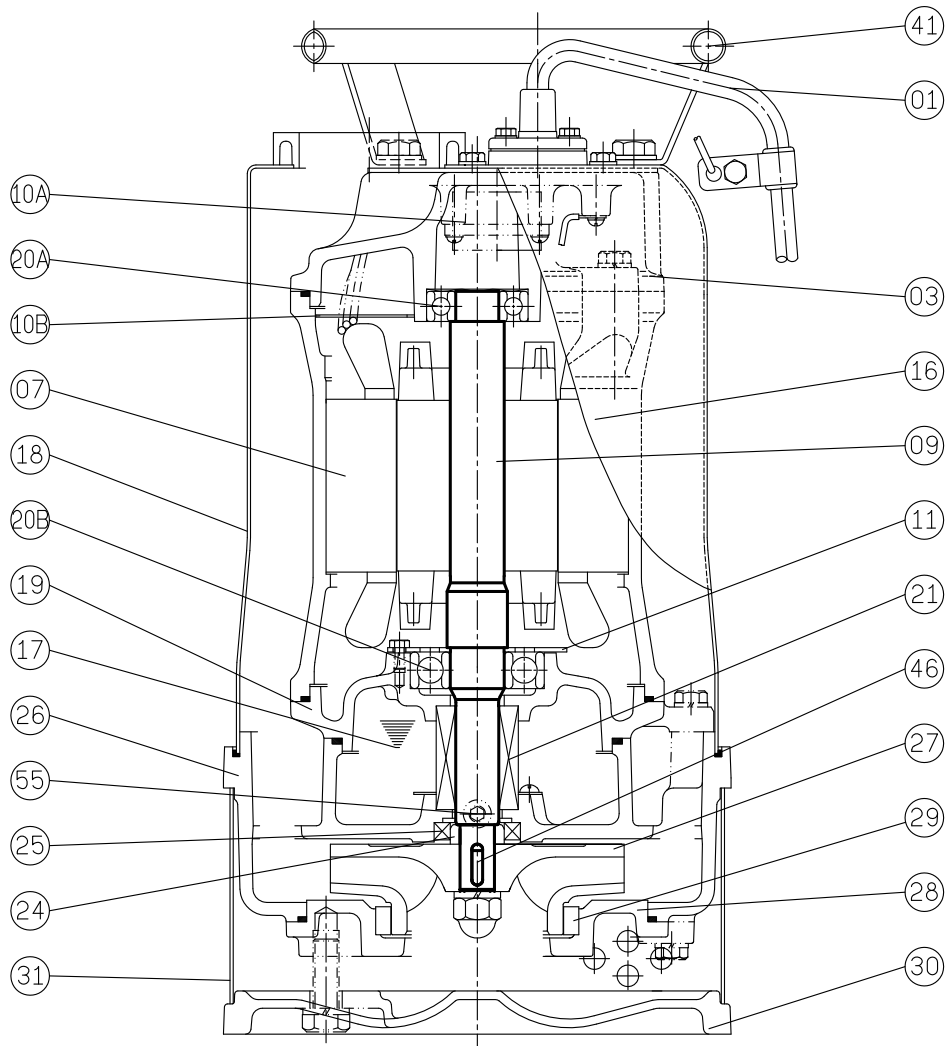
MODEL:80ASN21.5;80ASN22.2;80ASN23.7;100ASL23.7



MODEL	A	B	C
80ASN21.5	466(511)	403(448)	115
80ASN22.2	466(541)	403(478)	115
80ASN23.7	496	433	115
100ASL23.7	511	448	115

M.W.L: Minimun water level
 Remark: ()Dimensions in 1 \varnothing

MODEL:80ASN21.5;80ASN22.2;80ASN23.7;100ASL23.7 3Ø



No.	Part name	Material	QTY	Remark
01	Cable		1	VCT/H07RN-F UL / CSA
03	Upper cover	FC-200	1	
07	Stator		1	
09	Shaft(with Rotor)	SUS403	1	
10A	Auto-cut		1	
10B	Auto-cut plate		1	
11	Bearing fixer	SPCC	1	
16	Motor frame	FC-200	1	
17	Lubricant	Turbine oil #32	1	
18	Out cover	SUS304	1	
19	Bearing bracket	FC-200	1	
20A	Upper bearing		1	
20B	Lower bearing		1	
21	M. seal	CA VS CE SIC VS SIC	1	
24	Oil seal bush	SUS403	1	
25	Oil seal	NBR	1	

No.	Part name	Material	QTY	Remark
26	Casing	FC-200	1	
27	Impeller	HiCr	1	
28	Casing cover	FC-200	1	
29	Wear ring	HiCr	1	
30	Footing	FC-200	1	
31	Strainer	SUS304	1	
41	Handle	SUS304	1	
46	Impeller key	SUS304	1	
47	Packing (1 set)		1	
49	Cable sleeve	NEOPRENE	1	
55	Oil plug		1	