

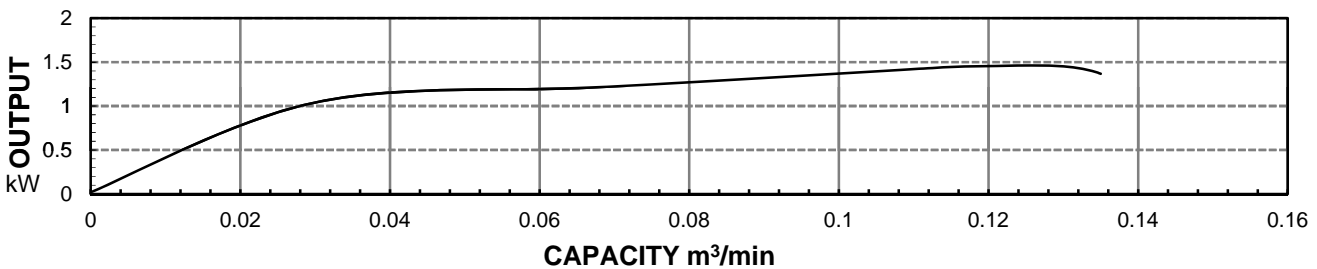
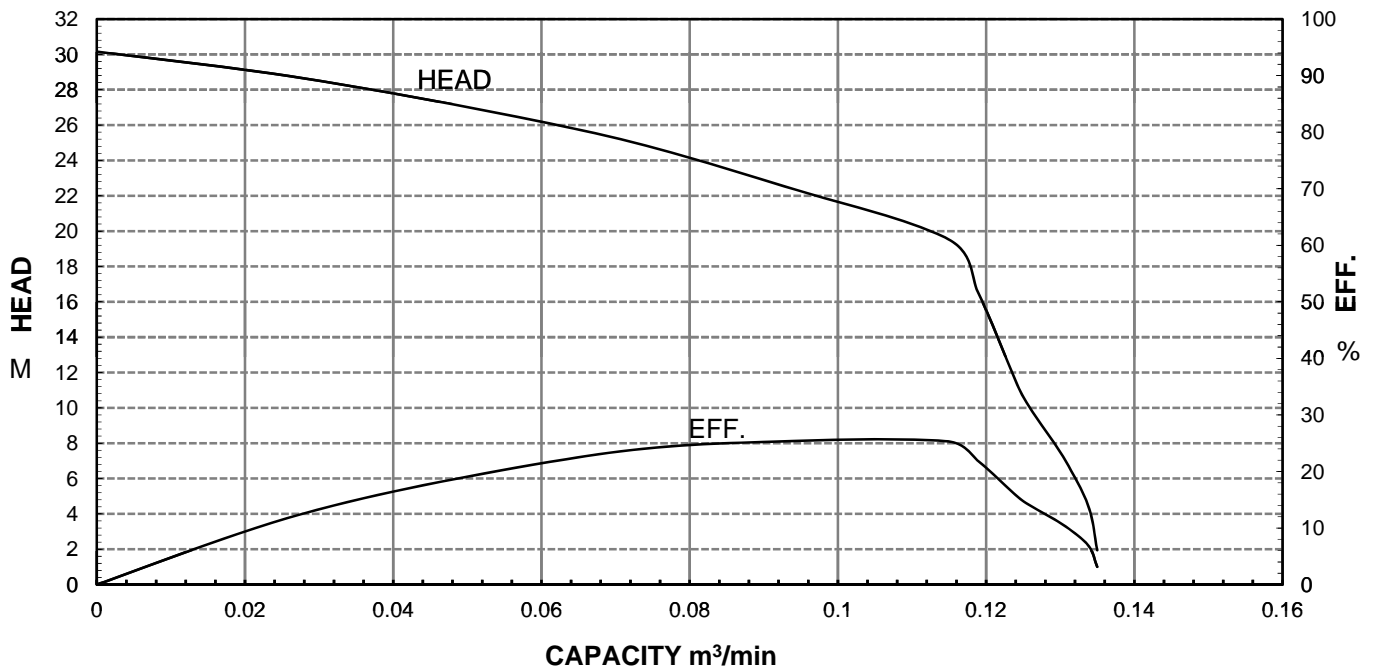


HCP PUMP

FILE NO PC-M-E5-32GF21.5H1

PUMP PERFORMANCE CURVES

MODEL	32GF21.5H					DATE:	2013.01	
	STANDARD SPECIFICATION					REFERENCE SPECIFICATION		
FREQUENCY	50				Hz			
DISCHARGE	1¼	inch	/	32	mm			
OUTPUT	2	HP	/	1.5	kW	HP	kW	
HEAD	26				M			
CAPACITY	0.06				m ³ /min			
PHASE/VOLTAGE	1 φ	220 V	230 V	240 V			φ	V
RATED CURRENT		10.4 A	10.0 A	9.8 A				A
POLE / R.P.M.	2	P	/	2850	R.P.M.			
START METHOD	DIRECT							
INSULATION CLASS	B							
REMARK								



HCP PUMP MANUFACTURER CO.,LTD.

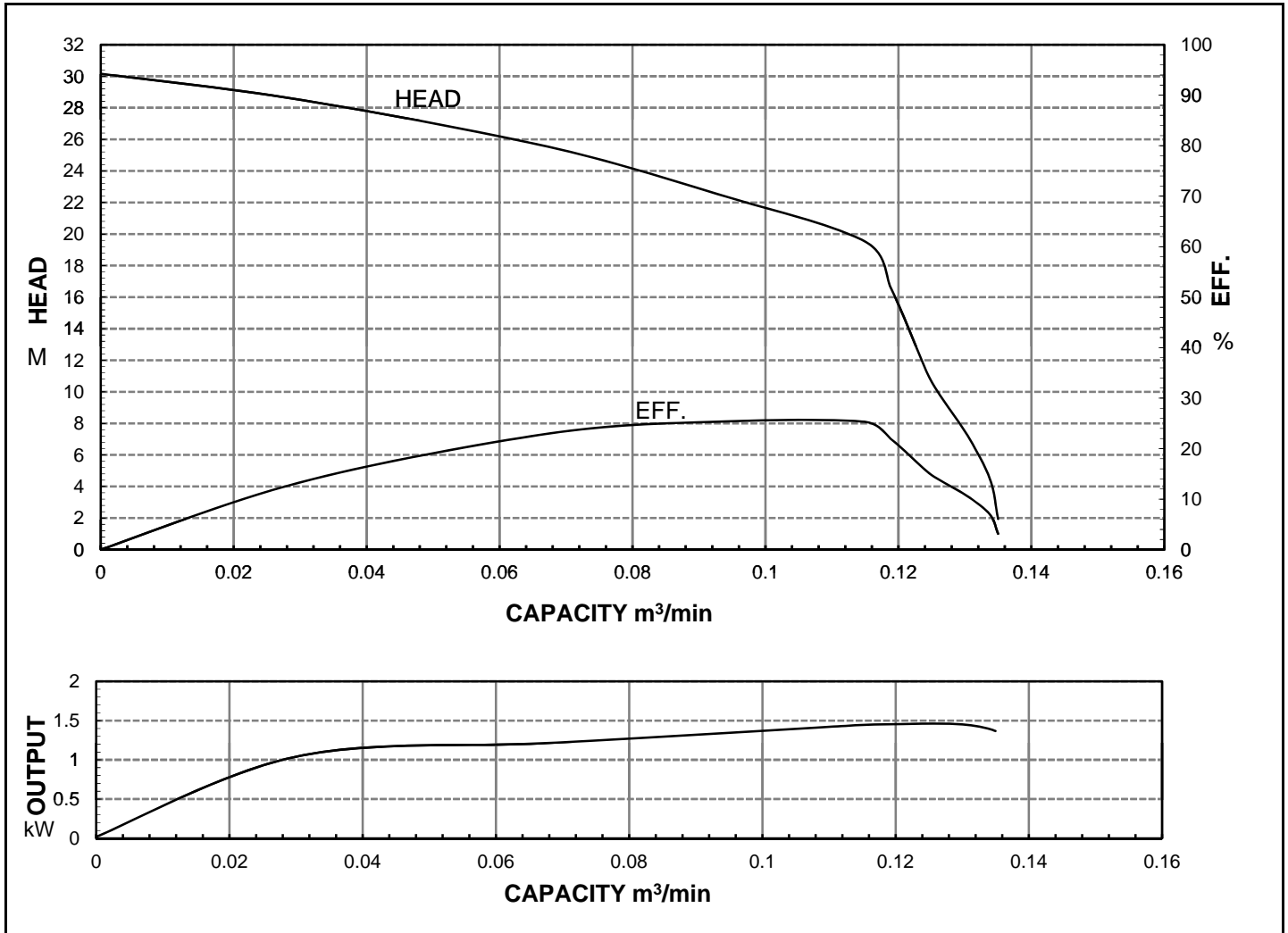


HCP PUMP

FILE NO PC-M-E5-32GF21.5H3

PUMP PERFORMANCE CURVES

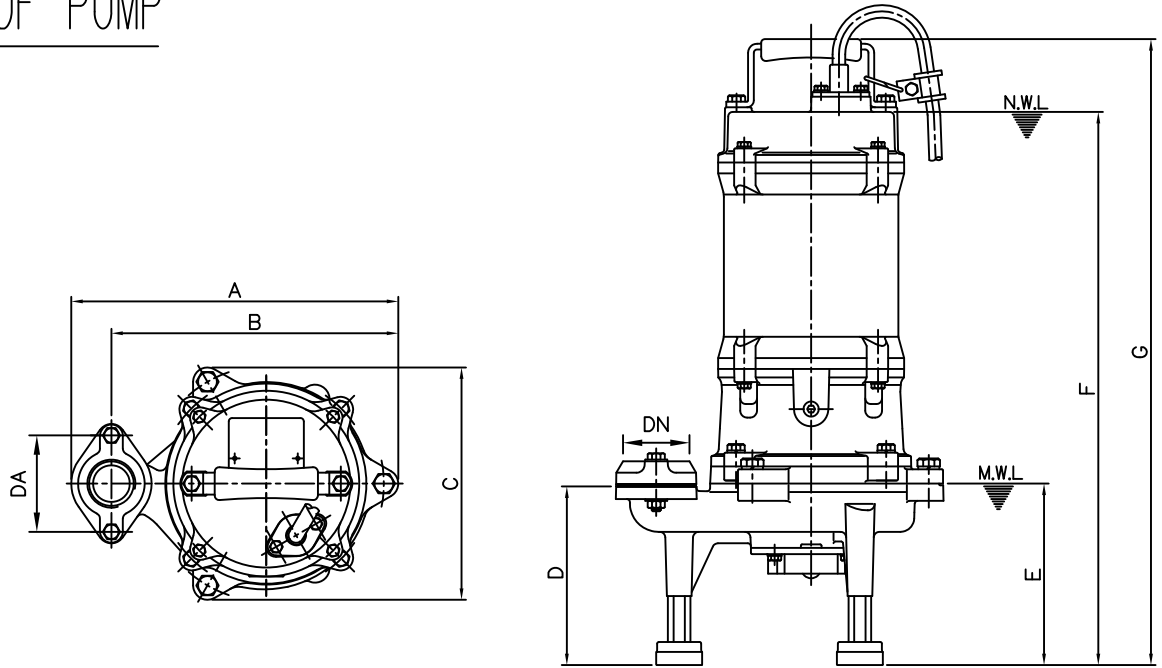
MODEL	32GF21.5H				DATE:	2013.01
	STANDARD SPECIFICATION				REFERENCE SPECIFICATION	
FREQUENCY	50			Hz		
DISCHARGE	1¼	inch	/	32	mm	
OUTPUT	2	HP	/	1.5	kW	HP kW
HEAD	26			M		
CAPACITY	0.06			m ³ /min		
PHASE/VOLTAGE	3 φ	230 V	380 V	400 V	415 V	φ V
RATED CURRENT		6.1 A	3.6 A	3.5 A	3.4 A	A
POLE / R.P.M.	2	P	/	2850	R.P.M.	
START METHOD	DIRECT					
INSULATION CLASS	B					
REMARK						



HCP PUMP MANUFACTURER CO.,LTD.

MODEL: 32GF21.0;32GF21.5;32GF21.5H;32GF22.2;32GF22.2H

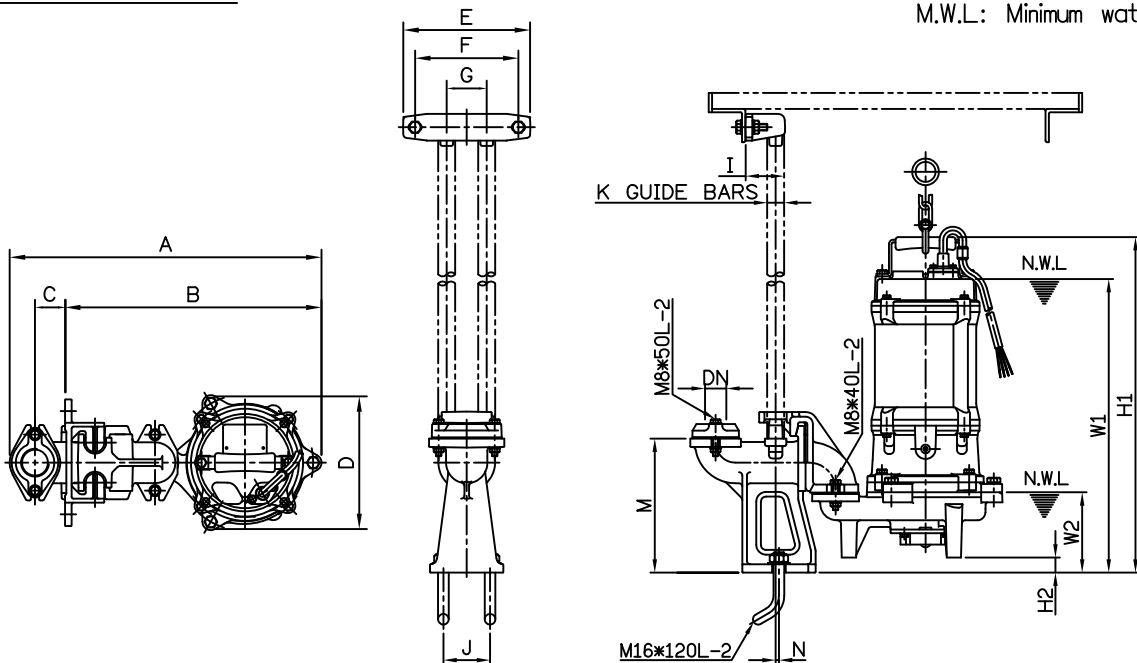
DIMENSION OF PUMP



Model	DN	DA	A	B	C	D	E	F	G
32GF21.0	32	84	249	214	177	156	160	473(498)	530(555)
32GF21.5	32	84	285	250	203	156	160	483(553)	546(597)
32GF22.2	32	84	285	250	203	156	160	483(566)	546(630)
32GF21.5H	32	84	285	250	203	156	160	483(553)	546(597)
32GF22.2H	32	84	285	250	203	156	160	483(566)	546(630)

DIMENSION OF GRS

Remark: () Dimensions in 1Ø
 N.W.L: Normal water level
 M.W.L: Minimum water level



Model	DN	A	B	C	D	E	F	G	I	J	K	M	N	W1	W2	H1	H2
32GF21.0	32	432	349	45	177	190	155	60	45	70	1"	201	5	435(460)	120	492(517)	22
32GF21.5	32	468	385	45	203	190	155	60	45	70	1"	201	5	440(495)	120	503(558)	22
32GF22.2	32	468	385	45	203	190	155	60	45	70	1"	201	5	440(522)	120	503(558)	22
32GF21.5H	32	468	385	45	203	190	155	60	45	70	1"	201	5	440(495)	120	503(558)	22
32GF22.2H	32	468	385	45	203	190	155	60	45	70	1"	201	5	440(522)	120	503(558)	22

Note: When 32GF21.0;32GF21.2;32GF21.5;32GF22.2 used with GRS,the base foot needs to be dismantled.



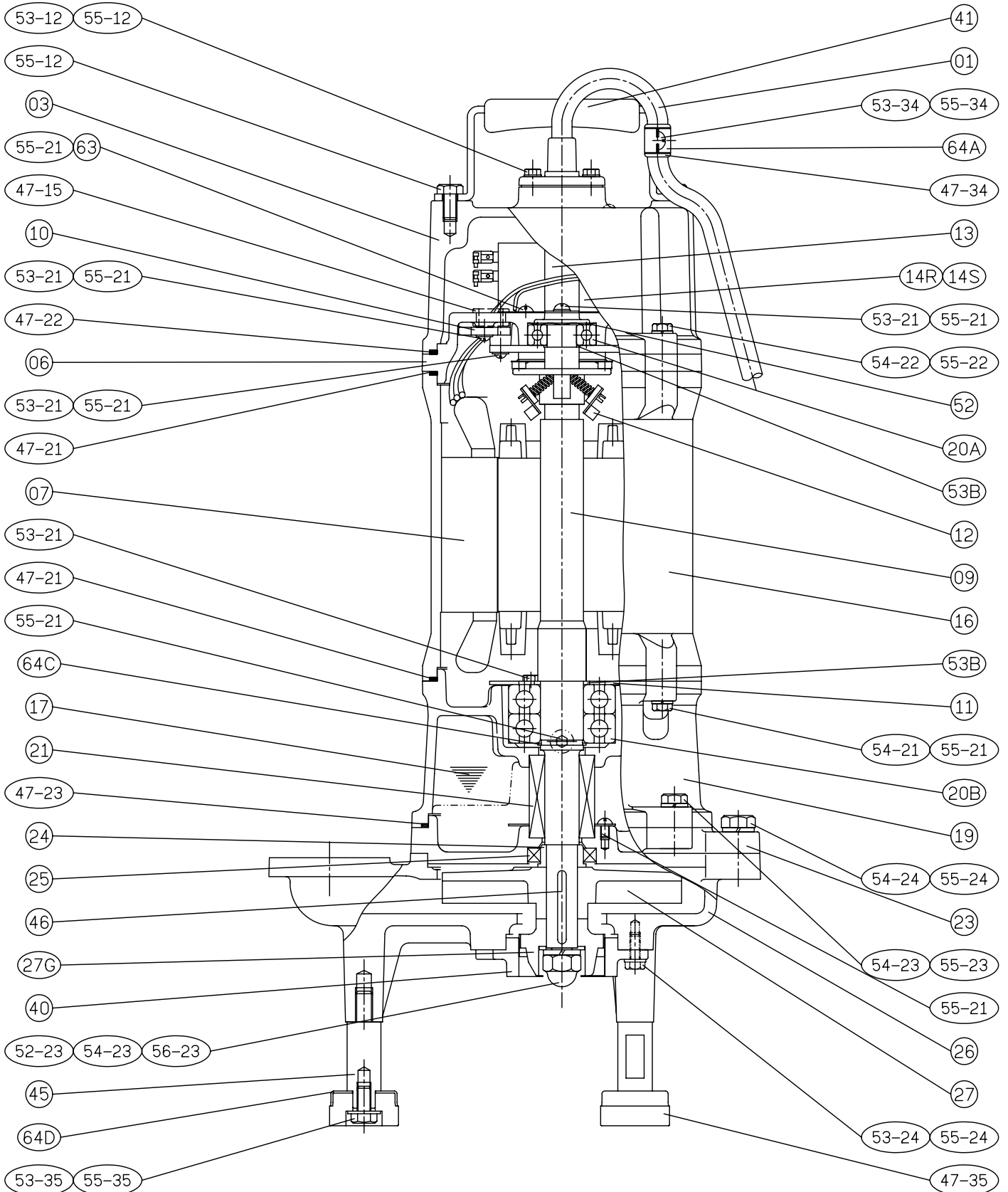
PUMP

SECTIONAL DRAWING

AFGF0215H10-00

DATE:2011-12

MODEL: 32GF21.5H 1Ø





PUMP

SECTIONAL DRAWING

AFGF0215H30-00

DATE:2011-12

MODEL: 32GF21.5H 3Ø

