

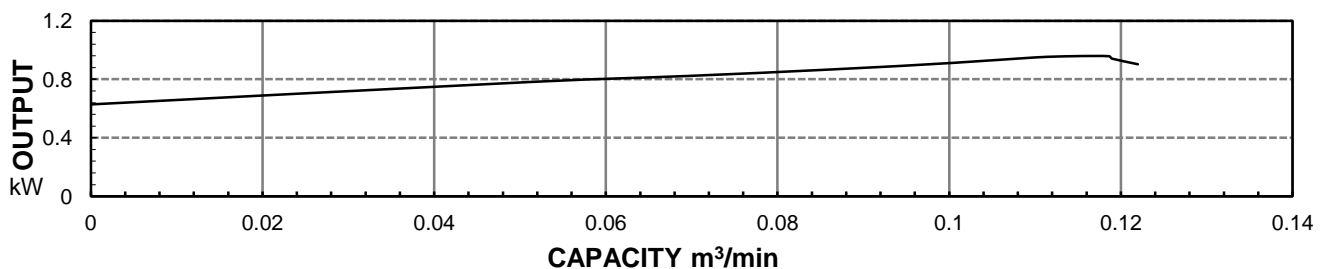
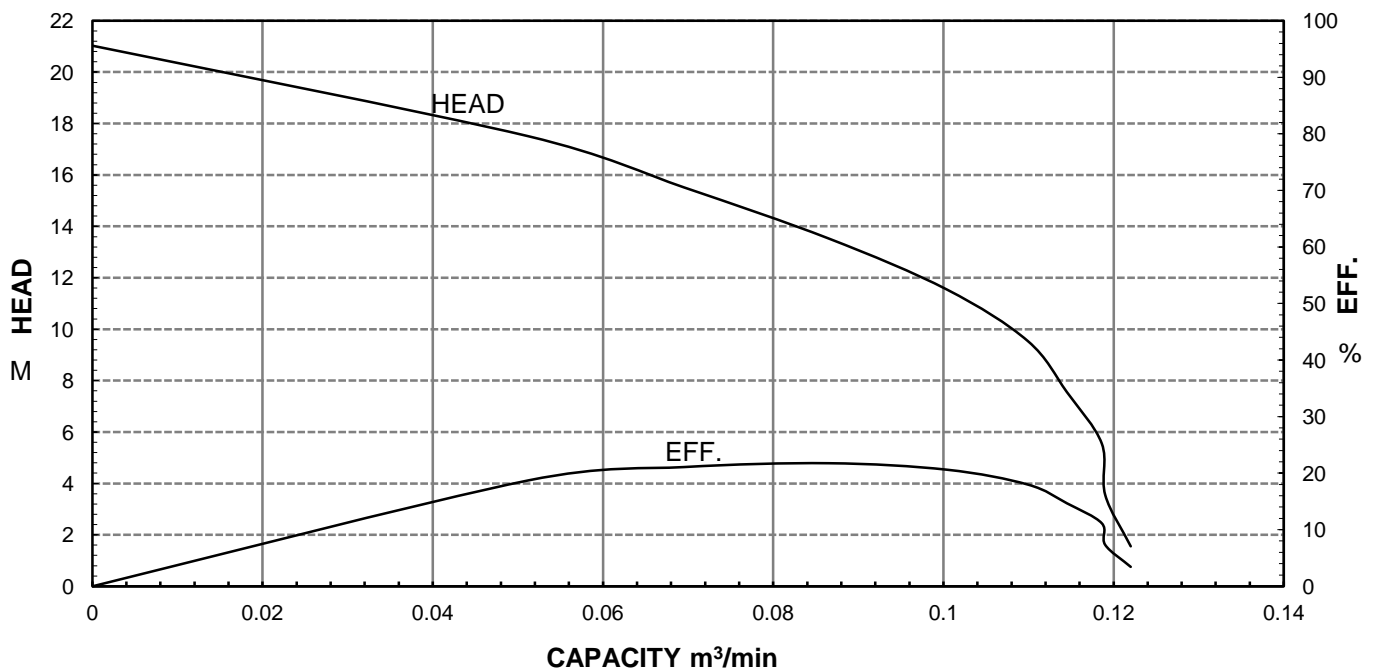


# HCP PUMP

FILE NO PC-M-E5-32GF21.01

## PUMP PERFORMANCE CURVES

|                  |                        |       |       |       |                     |                         |         |   |
|------------------|------------------------|-------|-------|-------|---------------------|-------------------------|---------|---|
| MODEL            | 32GF21.0               |       |       |       |                     | DATE:                   | 2011.12 |   |
|                  | STANDARD SPECIFICATION |       |       |       |                     | REFERENCE SPECIFICATION |         |   |
| FREQUENCY        | 50                     |       |       |       | Hz                  |                         |         |   |
| DISCHARGE        | 1.25                   | inch  | /     | 32    | mm                  |                         |         |   |
| OUTPUT           | 1.3                    | HP    | /     | 1     | kW                  | HP                      | kW      |   |
| HEAD             | 17                     |       |       |       | M                   |                         |         |   |
| CAPACITY         | 0.06                   |       |       |       | m <sup>3</sup> /min |                         |         |   |
| PHASE/VOLTAGE    | 1 $\phi$               | 220 V | 230 V | 240 V |                     |                         | $\phi$  | V |
| RATED CURRENT    |                        | 6.6 A | 6.4 A | 6.4 A |                     |                         |         | A |
| POLE / R.P.M.    | 2                      | P     | /     | 2820  | R.P.M.              |                         |         |   |
| START METHOD     | DIRECT                 |       |       |       |                     |                         |         |   |
| INSULATION CLASS | B                      |       |       |       |                     |                         |         |   |
| REMARK           |                        |       |       |       |                     |                         |         |   |



**HCP PUMP MANUFACTURER CO.,LTD.**

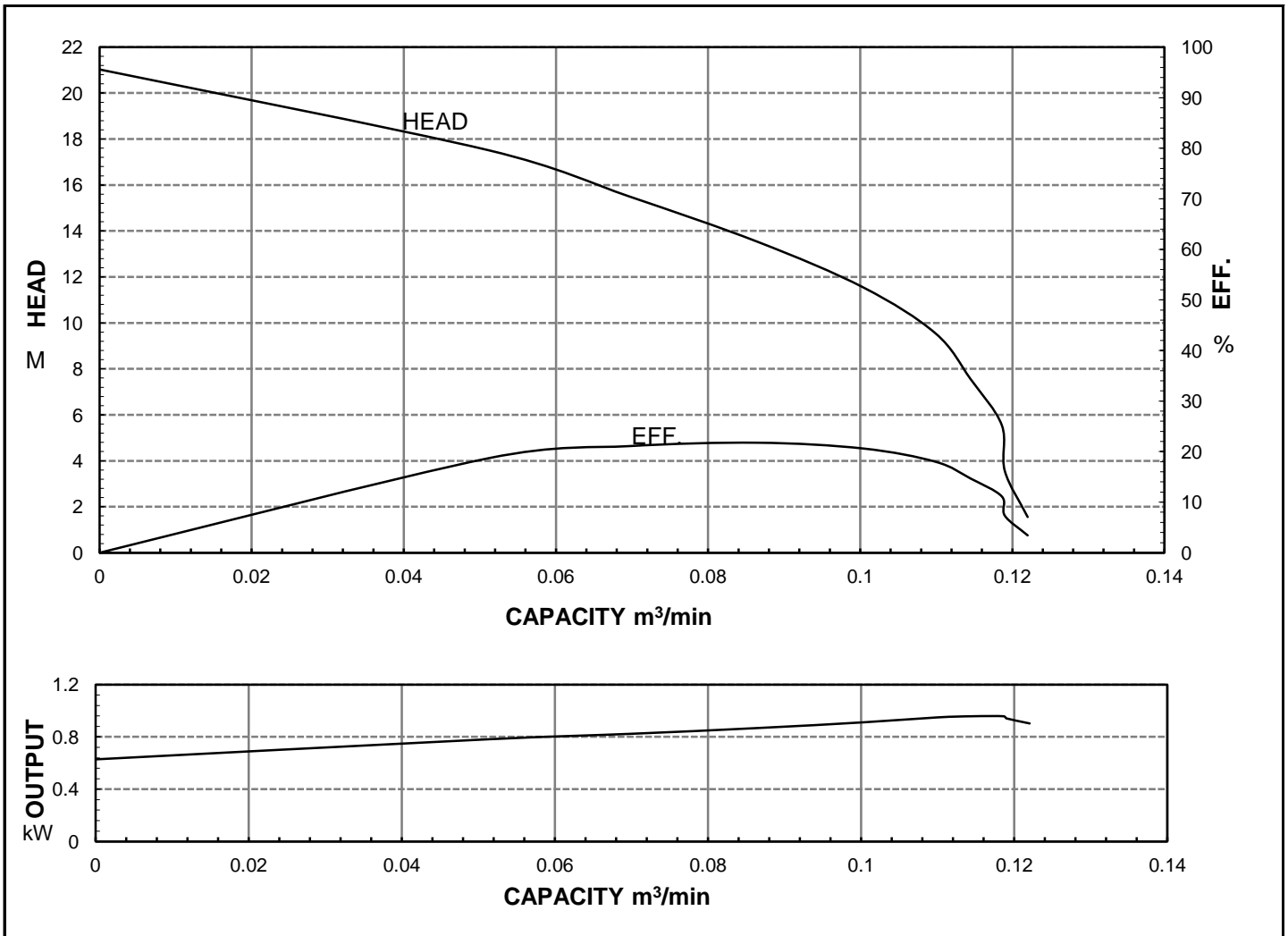


# HCP PUMP

FILE NO PC-M-E5-32GF21.03

## PUMP PERFORMANCE CURVES

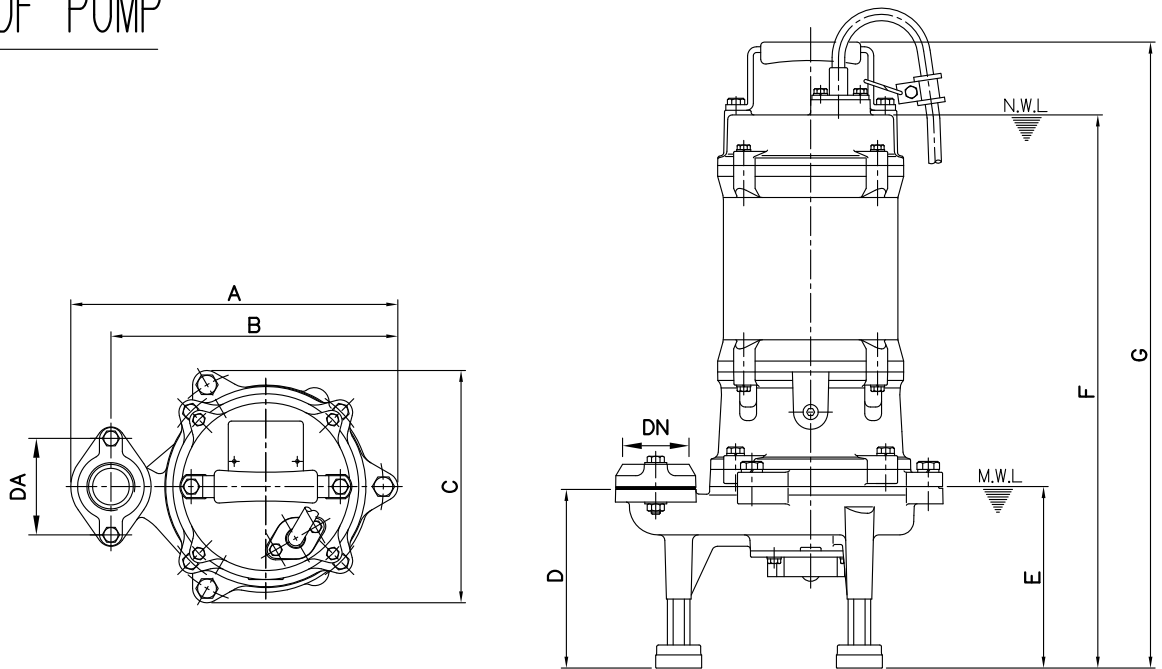
|                  |                        |       |       |                     |                         |            |
|------------------|------------------------|-------|-------|---------------------|-------------------------|------------|
| MODEL            | 32GF21.0               |       |       |                     | DATE:                   | 2011.12    |
|                  | STANDARD SPECIFICATION |       |       |                     | REFERENCE SPECIFICATION |            |
| FREQUENCY        | 50                     |       |       | Hz                  |                         |            |
| DISCHARGE        | 1.25                   | inch  | /     | 32                  | mm                      |            |
| OUTPUT           | 1.3                    | HP    | /     | 1                   | kW                      | HP      kW |
| HEAD             | 17                     |       |       | M                   |                         |            |
| CAPACITY         | 0.06                   |       |       | m <sup>3</sup> /min |                         |            |
| PHASE/VOLTAGE    | 3 φ                    | 230 V | 380 V | 400 V               | 415 V                   | φ      V   |
| RATED CURRENT    |                        | 4.1 A | 2.4 A | 2.4 A               | 2.3 A                   | A          |
| POLE / R.P.M.    | 2                      | P     | /     | 2820                | R.P.M.                  |            |
| START METHOD     | DIRECT                 |       |       |                     |                         |            |
| INSULATION CLASS | B                      |       |       |                     |                         |            |
| REMARK           |                        |       |       |                     |                         |            |



HCP PUMP MANUFACTURER CO.,LTD.

MODEL: 32GF21.0;32GF21.2;32GF21.5;32GF22.2

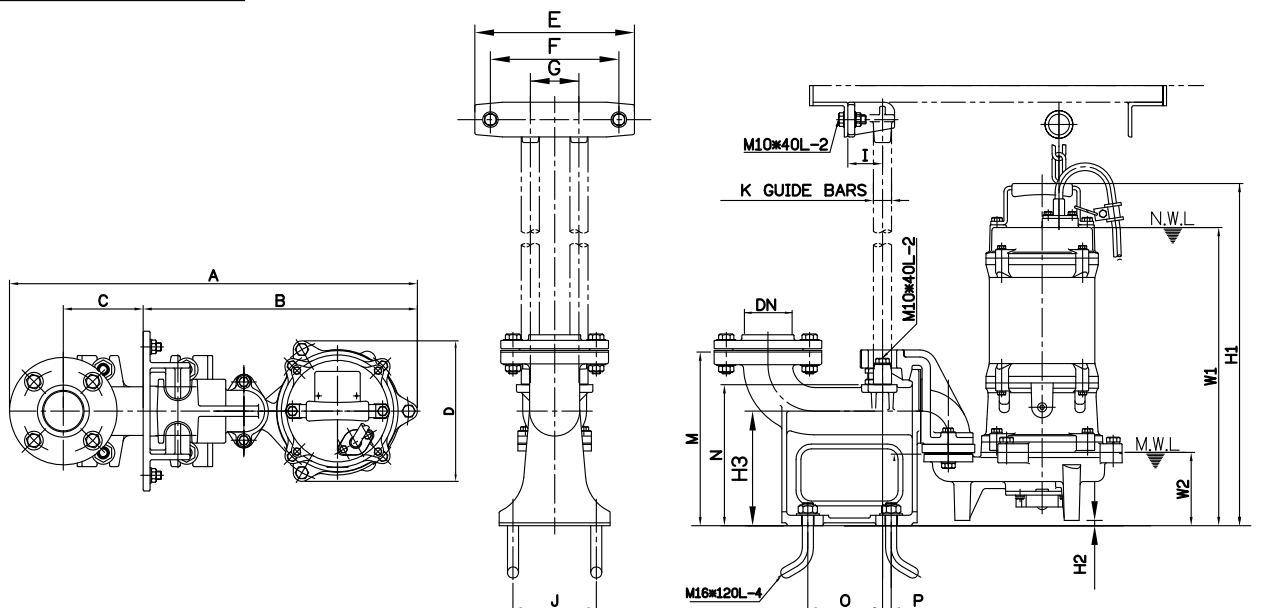
DIMENSION OF PUMP



| Model    | DN | DA | A   | B   | C   | D   | E   | F        | G        |
|----------|----|----|-----|-----|-----|-----|-----|----------|----------|
| 32GF21.0 | 32 | 84 | 249 | 214 | 177 | 156 | 160 | 473(498) | 530(555) |
| 32GF21.2 | 32 | 84 | 285 | 250 | 203 | 156 | 160 | 483(553) | 546(597) |
| 32GF21.5 | 32 | 84 | 285 | 250 | 203 | 156 | 160 | 483(553) | 546(597) |
| 32GF22.2 | 32 | 84 | 285 | 250 | 203 | 156 | 160 | 483(566) | 546(630) |

DIMENSION OF GRS

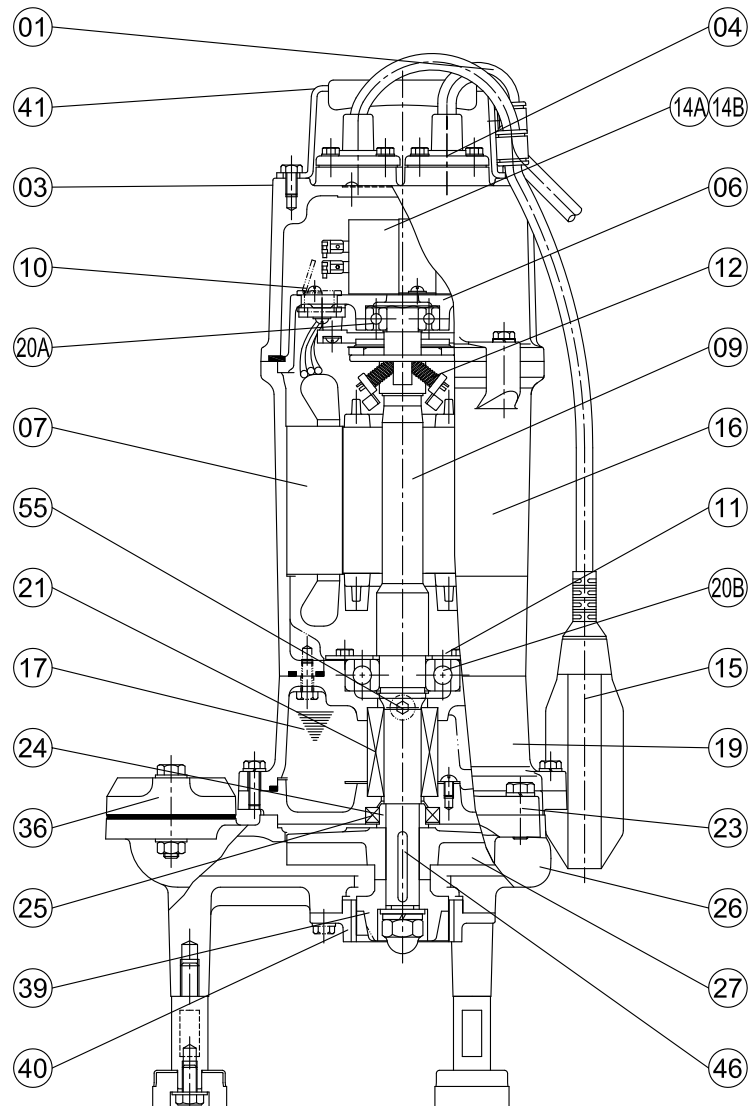
Remark: ( ) Dimensions in 1Ø  
 N.W.L: Normal water level  
 M.W.L: Minimum water level



| Model    | DN | A   | B   | C   | D   | E   | F   | G  | I  | J   | K      | M   | N   | O   | P  | W1       | W2  | H1       | H2 | H3  |
|----------|----|-----|-----|-----|-----|-----|-----|----|----|-----|--------|-----|-----|-----|----|----------|-----|----------|----|-----|
| 32GF21.0 | 50 | 552 | 359 | 115 | 177 | 230 | 185 | 70 | 50 | 120 | 1 1/4" | 250 | 203 | 108 | 13 | 420(445) | 90  | 477(502) | 6  | 165 |
| 32GF21.2 | 50 | 588 | 395 | 115 | 203 | 230 | 185 | 70 | 50 | 120 | 1 1/4" | 250 | 203 | 108 | 13 | 430(480) | 106 | 493(544) | 6  | 165 |
| 32GF21.5 | 50 | 588 | 395 | 115 | 203 | 230 | 185 | 70 | 50 | 120 | 1 1/4" | 250 | 203 | 108 | 13 | 430(480) | 106 | 493(544) | 6  | 165 |
| 32GF22.2 | 50 | 588 | 395 | 115 | 203 | 230 | 185 | 70 | 50 | 120 | 1 1/4" | 250 | 203 | 108 | 13 | 430(513) | 106 | 493(577) | 6  | 165 |

Note: When 32GF21.0;32GF21.2;32GF21.5;32GF22.2 used with GRS,the base foot needs to be dismantled.

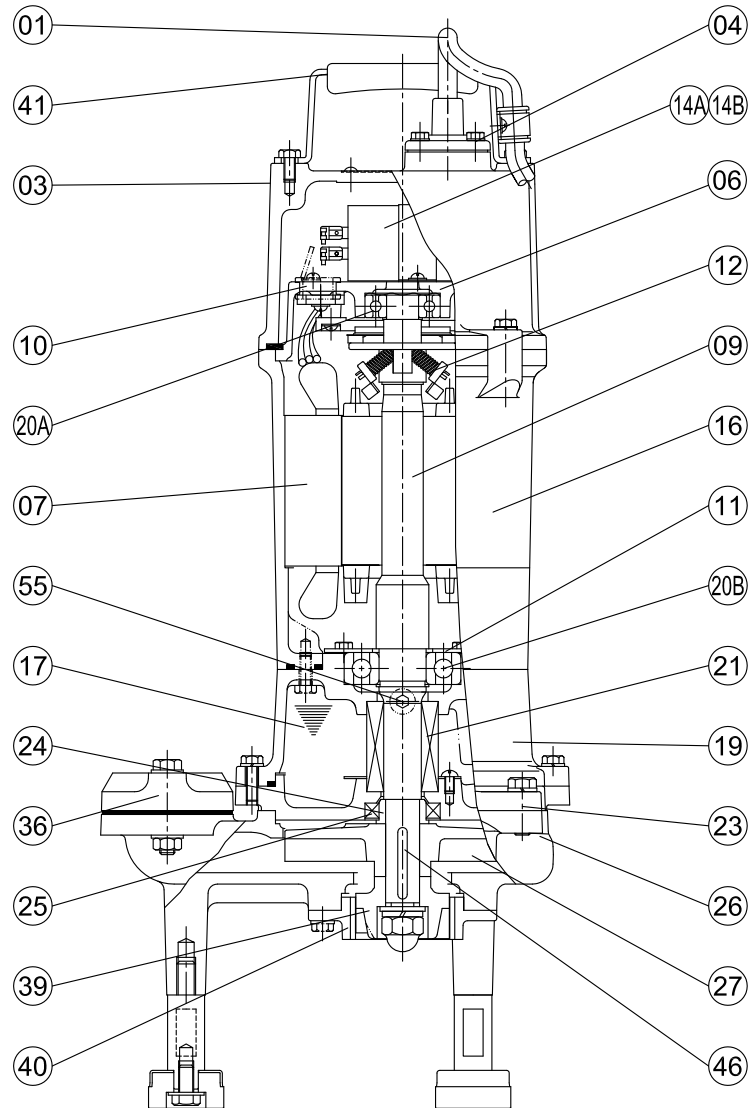
## MODEL: 32GF21.0(F) 1Ø



| No. | Part name          | Material           | QTY | Remark                |
|-----|--------------------|--------------------|-----|-----------------------|
| 01  | Cable              |                    | 1   | VCT/H07RN-F<br>UL/CSA |
| 03  | Upper cover        | FC-200             | 1   |                       |
| 04  | Cable base cover   | SUS304             | 1   |                       |
| 06  | Bracket            | FC-200             | 1   |                       |
| 07  | Stator             |                    | 1   |                       |
| 09  | Shaft(with Rotor)  | SUS403             | 1   |                       |
| 10  | Auto-cut           |                    | 1   |                       |
| 11  | Bearing fixer      | SPCC               | 1   |                       |
| 12  | Centrifugal switch |                    | 1   |                       |
| 14A | Capacitor          |                    | 1   |                       |
| 14B | Start capacitor    |                    | 1   |                       |
| 15  | Float              |                    | 1   |                       |
| 16  | Motor frame        | FC-200             | 1   |                       |
| 17  | Lubricant          | Turbine oil<br>#32 | 1   |                       |
| 19  | Bearing bracket    | FC-200             | 1   |                       |

| No. | Part name       | Material               | QTY | Remark |
|-----|-----------------|------------------------|-----|--------|
| 20A | Upper bearing   |                        | 1   |        |
| 20B | Lower bearing   |                        | 1   |        |
| 21  | M. seal         | CA VS CE<br>SIC VS SIC | 1   |        |
| 23  | M. seal bracket | FC-200                 | 1   |        |
| 24  | Oil seal bush   | SUS420J2               | 1   |        |
| 25  | Oil seal        | NBR                    | 1   |        |
| 26  | Casing          | FC-200                 | 1   |        |
| 27  | Impeller        | FC-200                 | 1   |        |
| 36  | Flange          | FC-200                 | 1   |        |
| 39  | Radial cutter   | 440C                   | 1   |        |
| 40  | Cutter ring     | 440C                   | 1   |        |
| 41  | Handle          | SUS304                 | 1   |        |
| 46  | Impeller key    | SUS304                 | 1   |        |
| 47  | Packing (1 set) |                        | 1   |        |
| 55  | Oil plug        | SUS304                 | 1   |        |

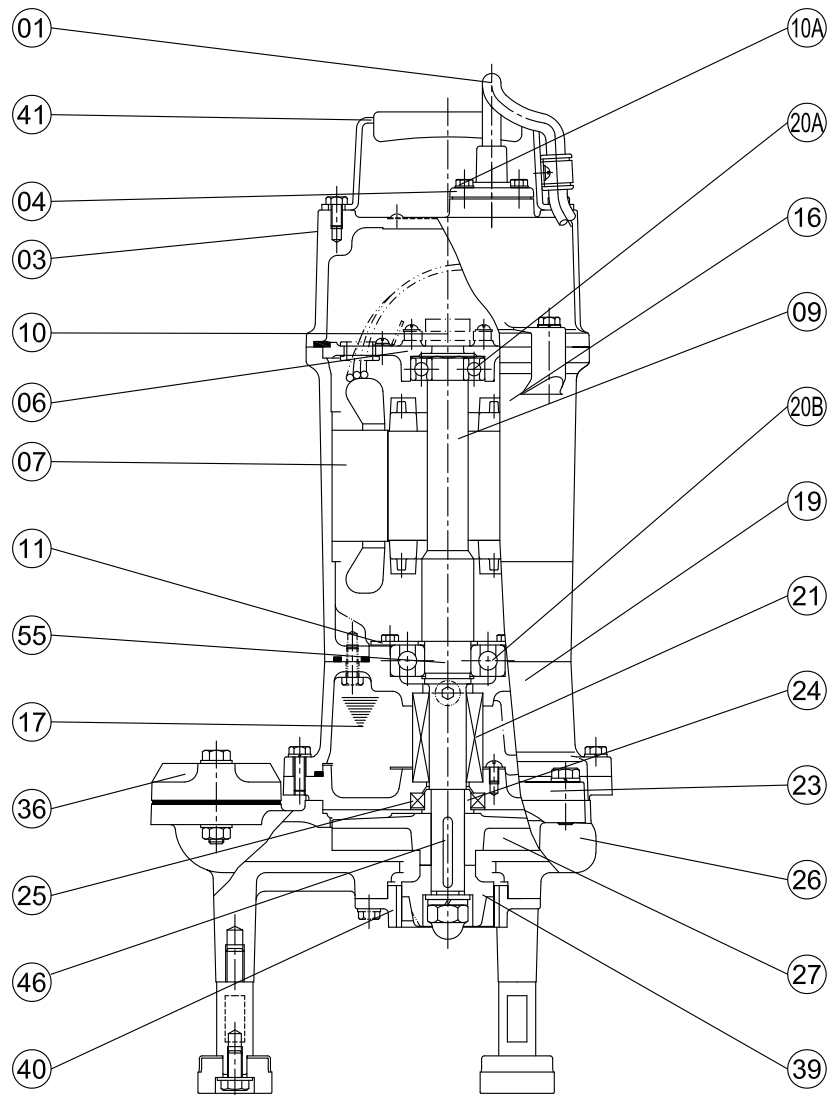
## MODEL: 32GF21.0 1Ø



| No. | Part name          | Material           | QTY | Remark                |
|-----|--------------------|--------------------|-----|-----------------------|
| 01  | Cable              |                    | 1   | VCT/H07RN-F<br>UL/CSA |
| 03  | Upper cover        | FC-200             | 1   |                       |
| 04  | Cable base cover   | SUS304             | 1   |                       |
| 06  | Bracket            | FC-200             | 1   |                       |
| 07  | Stator             |                    | 1   |                       |
| 09  | Shaft(with Rotor)  | SUS403             | 1   |                       |
| 10  | Auto-cut           |                    | 1   |                       |
| 11  | Bearing fixer      | SPCC               | 1   |                       |
| 12  | Centrifugal switch |                    | 1   |                       |
| 14A | Capacitor          |                    | 1   |                       |
| 14B | Start capacitor    |                    | 1   |                       |
| 16  | Motor frame        | FC-200             | 1   |                       |
| 17  | Lubricant          | Turbine oil<br>#32 | 1   |                       |
| 19  | Bearing bracket    | FC-200             | 1   |                       |
| 20A | Upper bearing      |                    | 1   |                       |

| No. | Part name       | Material               | QTY | Remark |
|-----|-----------------|------------------------|-----|--------|
| 20B | Lower bearing   |                        | 1   |        |
| 21  | M. seal         | CA VS CE<br>SIC VS SIC | 1   |        |
| 23  | M. seal bracket | FC-200                 | 1   |        |
| 24  | Oil seal bush   | SUS420J2               | 1   |        |
| 25  | Oil seal        | NBR                    | 1   |        |
| 26  | Casing          | FC-200                 | 1   |        |
| 27  | Impeller        | FC-200                 | 1   |        |
| 36  | Flange          | FC-200                 | 1   |        |
| 39  | Radial cutter   | 440C                   | 1   |        |
| 40  | Cutter ring     | 440C                   | 1   |        |
| 41  | Handle          | SUS304                 | 1   |        |
| 46  | Impeller key    | SUS304                 | 1   |        |
| 47  | Packing (1 set) |                        | 1   |        |
| 55  | Oil plug        | SUS304                 | 1   |        |

## MODEL:32GF21.0 3Ø



| No. | Part name         | Material               | QTY | Remark                |
|-----|-------------------|------------------------|-----|-----------------------|
| 01  | Cable             |                        | 1   | VCT/H07RN-F<br>UL/CSA |
| 03  | Upper cover       | FC-200                 | 1   |                       |
| 04  | Cable base cover  | SUS304                 | 1   |                       |
| 06  | Bracket           | FC-200                 | 1   |                       |
| 07  | Stator            | FC-200                 | 1   |                       |
| 09  | Shaft(with Rotor) | SUS420J2               | 1   |                       |
| 10  | Auto-cut          |                        | 1   |                       |
| 11  | Bearing fixer     | SPCC                   | 1   |                       |
| 16  | Motor frame       | FC-200                 | 1   |                       |
| 17  | Lubricant         | Turbine oil<br>#32     | 1   |                       |
| 19  | Bearing bracket   | FC-200                 | 1   |                       |
| 20A | Upper bearing     |                        | 1   |                       |
| 20B | Lower bearing     |                        | 2   |                       |
| 21  | M. seal           | CA VS CE<br>SIC VS SIC | 1   |                       |

| No. | Part name       | Material | QTY | Remark |
|-----|-----------------|----------|-----|--------|
| 23  | M. seal bracket | FC-200   | 1   |        |
| 24  | Oil seal bush   | SUS420J2 | 1   |        |
| 25  | Oil seal        | NBR      | 1   |        |
| 26  | Casing          | FC-200   | 1   |        |
| 27  | Impeller        | FC-200   | 1   |        |
| 36  | Flange          | FC-200   | 1   |        |
| 39  | Radial cutter   | 440C     | 1   |        |
| 40  | Cutter ring     | 440C     | 1   |        |
| 41  | Handle          | SUS304   | 1   |        |
| 46  | Impeller key    | SUS304   | 1   |        |
| 47  | Packing (1 set) |          | 1   |        |
| 55  | Oil plug        | SUS304   | 1   |        |
|     |                 |          |     |        |
|     |                 |          |     |        |