

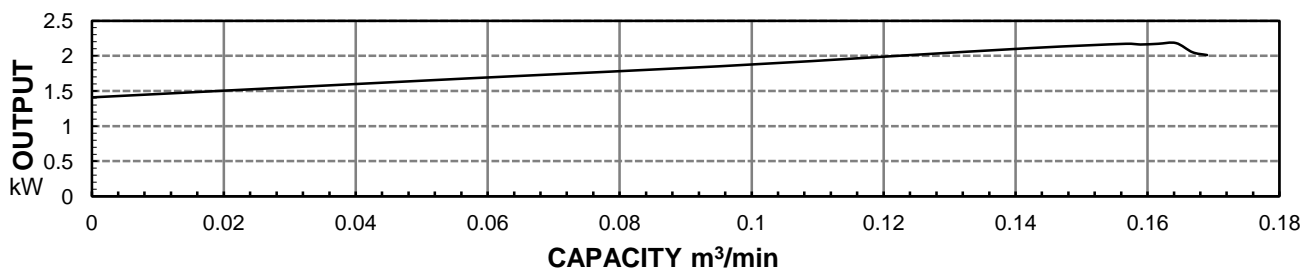
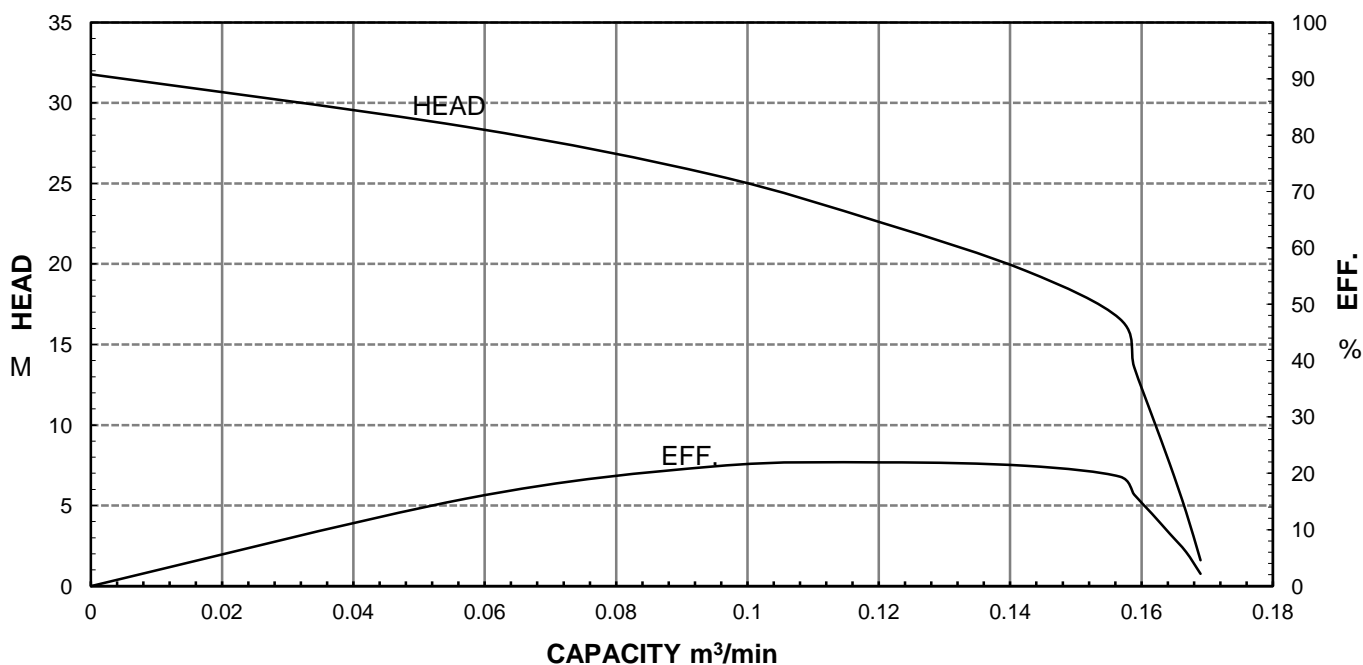


# HCP PUMP

FILE NO PC-M-E5-32GF22.21

## PUMP PERFORMANCE CURVES

MODEL	32GF22.2					DATE:	2011.12	
	STANDARD SPECIFICATION					REFERENCE SPECIFICATION		
FREQUENCY	50				Hz			
DISCHARGE	1¼	inch	/	32	mm			
OUTPUT	3	HP	/	2.2	kW	HP	kW	
HEAD	28				M			
CAPACITY	0.06				m <sup>3</sup> /min			
PHASE/VOLTAGE	1 φ	220 V	230 V	240 V			φ	V
RATED CURRENT		15.0 A	14.6 A	14.4 A				A
POLE / R.P.M.	2	P	/	2840	R.P.M.			
START METHOD	DIRECT							
INSULATION CLASS	B							
REMARK								



HCP PUMP MANUFACTURER CO.,LTD.

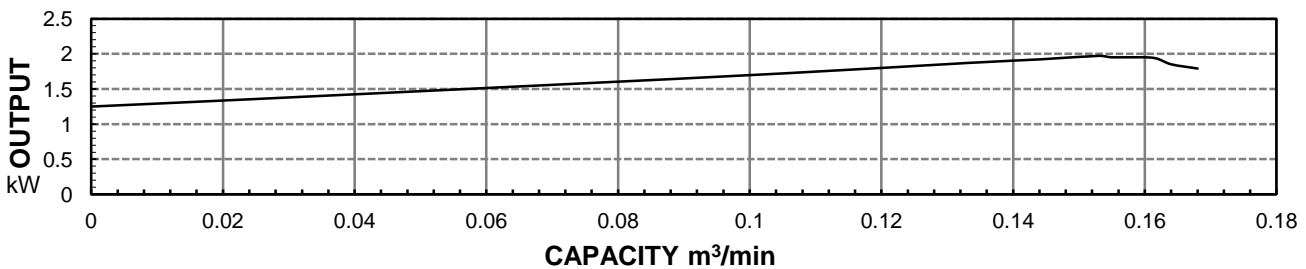
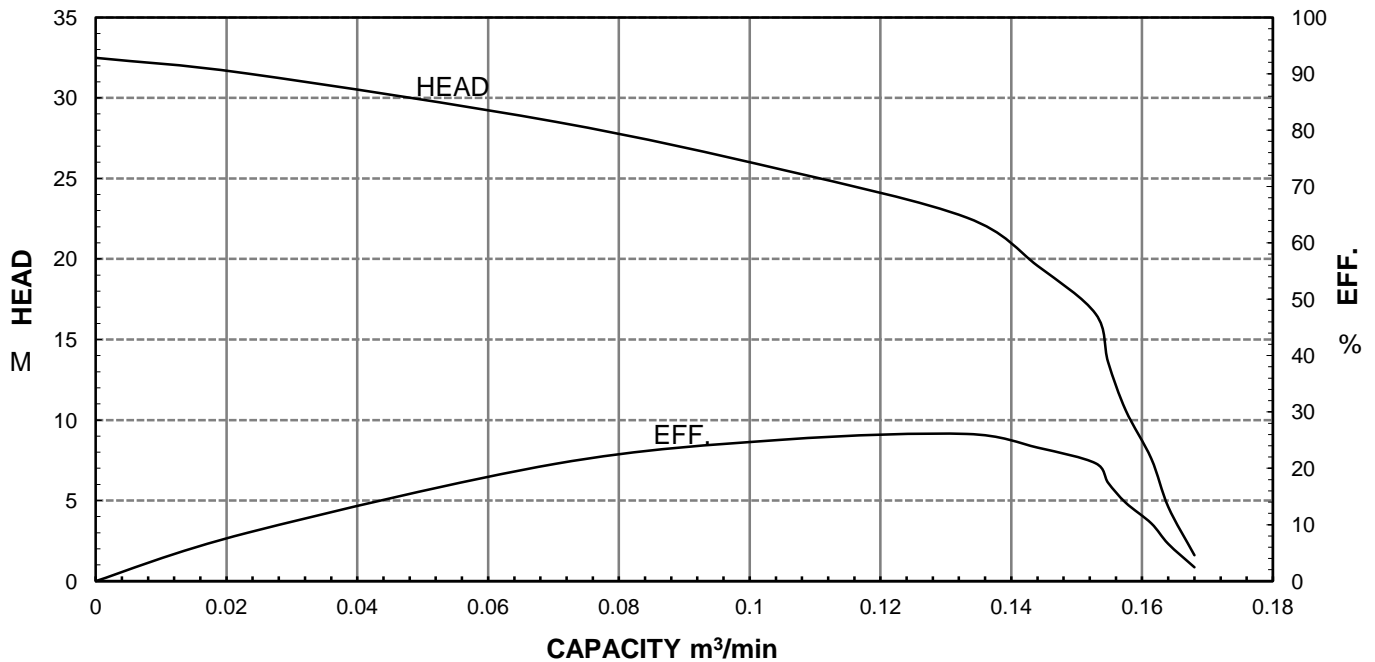


# HCP PUMP

FILE NO PC-M-E5-32GF22.23

## PUMP PERFORMANCE CURVES

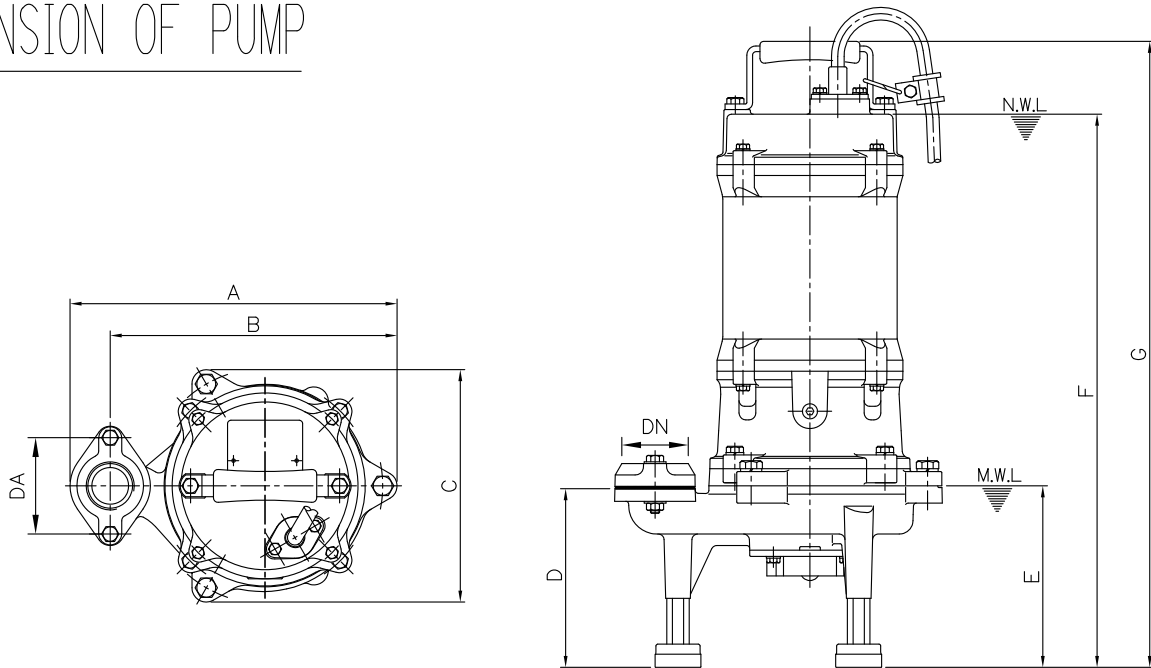
MODEL	32GF22.2				DATE:	2011.12
	STANDARD SPECIFICATION				REFERENCE SPECIFICATION	
FREQUENCY	50			Hz		
DISCHARGE	1¼	inch	/	32	mm	
OUTPUT	3	HP	/	2.2	kW	HP      kW
HEAD	29			M		
CAPACITY	0.06			m <sup>3</sup> /min		
PHASE/VOLTAGE	3 φ	230 V	380 V	400 V	415 V	φ      V
RATED CURRENT		8.6 A	5.1 A	5.0 A	4.8 A	A
POLE / R.P.M.	2	P	/	2840	R.P.M.	
START METHOD	DIRECT					
INSULATION CLASS	B					
REMARK						



HCP PUMP MANUFACTURER CO.,LTD.

MODEL: 32GF21.0;32GF21.5;32GF21.5H(60Hz);32GF22.2;32GF22.2H(60Hz)

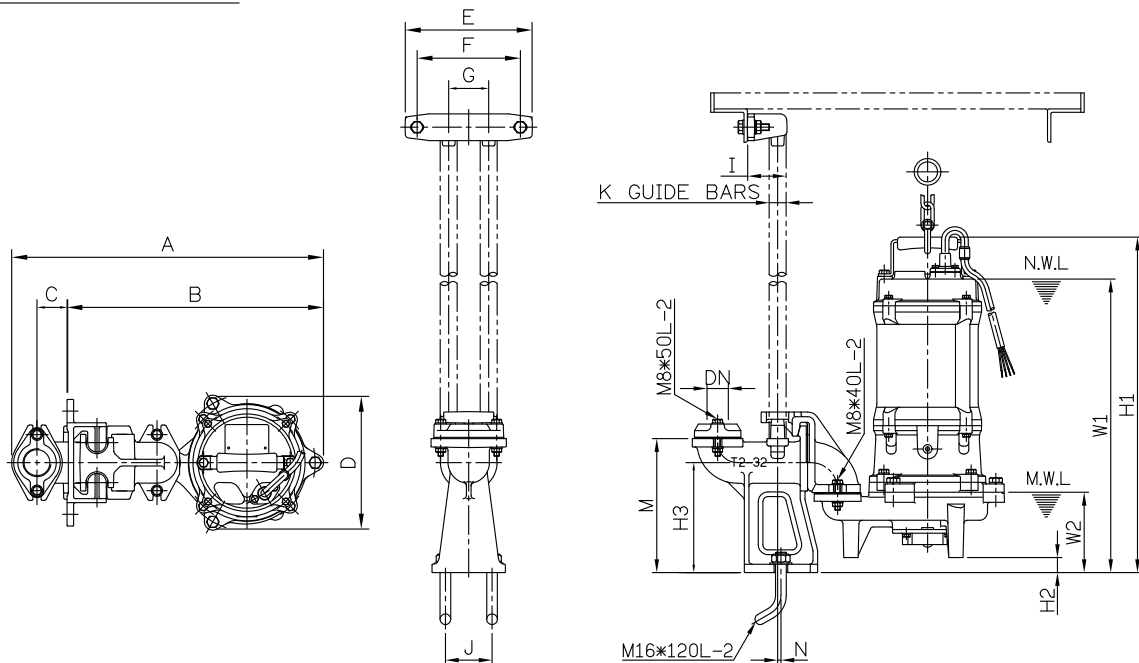
## DIMENSION OF PUMP



Model	DN	DA	A	B	C	D	E	F	G
32GF21.0	32	84	249	214	177	156	160	473(498)	530(555)
32GF21.5	32	84	285	250	203	156	160	483(553)	546(597)
32GF22.2	32	84	285	250	203	156	160	483(566)	546(630)
32GF21.5H	32	84	285	250	203	156	160	483(553)	546(597)
32GF22.2H	32	84	285	250	203	156	160	483(566)	546(630)

Remark: ( )Dimensions in 1Ø  
 N.W.L: Normal water level  
 M.W.L: Minimum water level

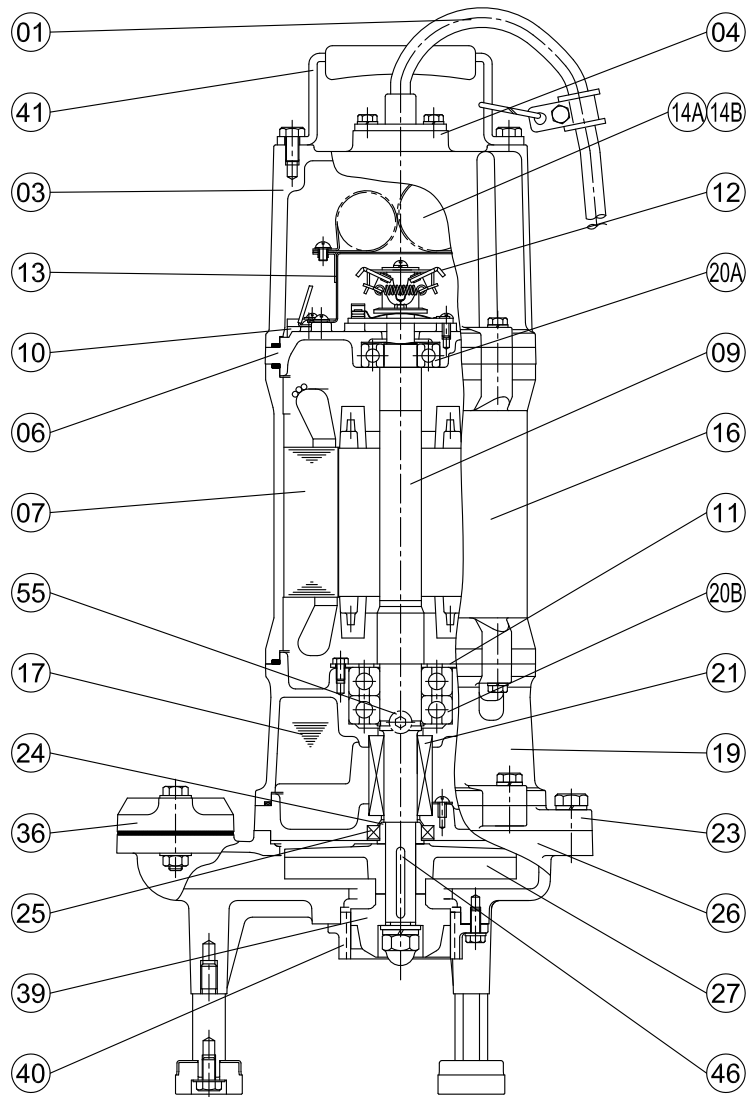
## DIMENSION OF GRS



Model	DN	A	B	C	D	E	F	G	I	J	K	M	N	W1	W2	H1	H2	H3
32GF21.0	32	432	349	45	177	190	155	60	50	70	3/4"	201	5	435(460)	120	492(517)	22	165
32GF21.5	32	468	385	45	203	190	155	60	50	70	3/4"	201	5	440(495)	120	503(558)	22	165
32GF22.2	32	468	385	45	203	190	155	60	50	70	3/4"	201	5	440(522)	120	503(558)	22	165
32GF21.5H	32	468	385	45	203	190	155	60	50	70	3/4"	201	5	440(495)	120	503(558)	22	165
32GF22.2H	32	468	385	45	203	190	155	60	50	70	3/4"	201	5	440(522)	120	503(558)	22	165

Note: When 32GF21.0;32GF21.2;32GF21.5;32GF22.2 used with GRS,the base foot needs to be dismantled.

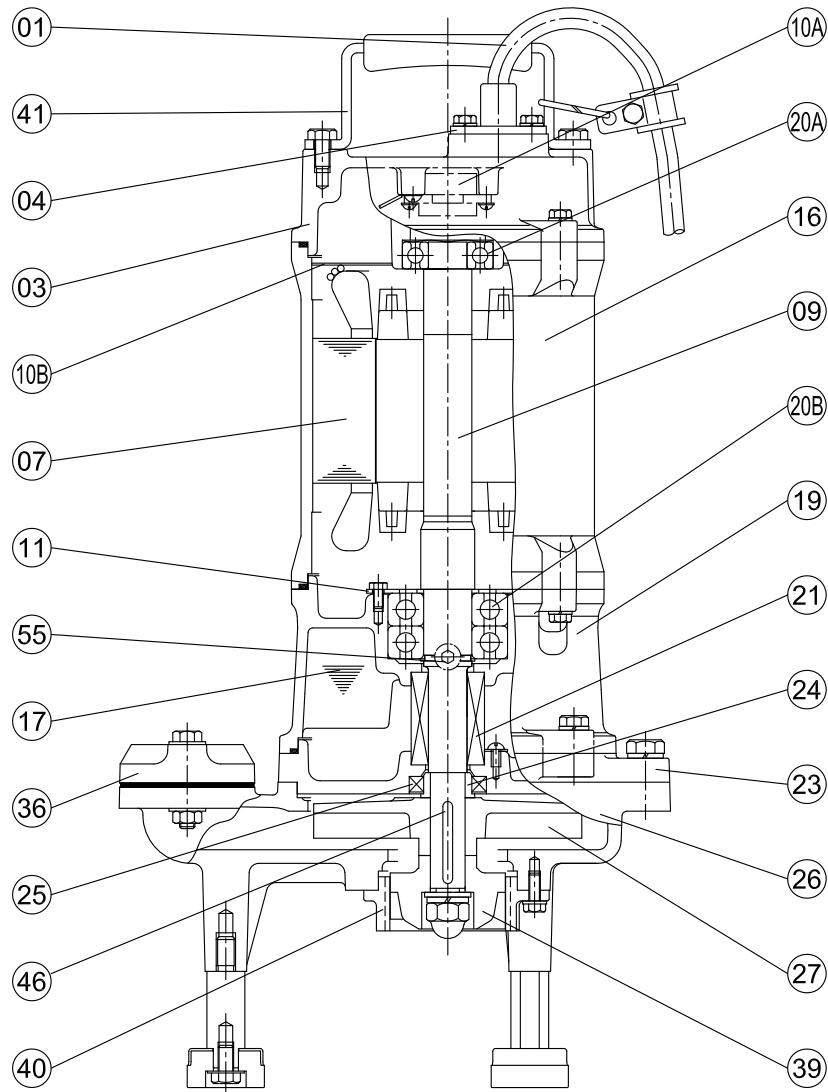
## MODEL:32GF21.5;32GF22.2 1Ø



No.	Part name	Material	QTY	Remark
01	Cable		1	VCT/H07RN-F UL/CSA
03	Upper cover	FC-200	1	
04	Cable base cover	SUS304	1	
06	Bracket	FC-200	1	
07	Stator		1	
09	Shaft(with Rotor)	SUS420J2	1	
10	Auto-cut		1	
11	Bearing fixer	SS41	1	
12	Centrifugal switch		1	
13	Centrifugal switch cover		1	
14A	Capacitor		1	
14B	Start capacitor		1	
16	Motor frame	FC-200	1	
17	Lubricant	Turbine oil #32	1	
19	Bearing bracket	FC-200	1	
20A	Upper bearing		1	

No.	Part name	Material	QTY	Remark
20B	Lower bearing		2	
21	M. seal	CA VS CE SIC VS SIC	1	
23	M. seal bracket	FC-200	1	
24	Oil seal bush	SUS420J2	1	
25	Oil seal	NBR	1	
26	Casing	FC-200	1	
27	Impeller	FC-200	1	
36	Flange	FC-200	1	
39	Radial cutter	440C	1	
40	Cutter ring	440C	1	
41	Handle	SUS304	1	
46	Impeller key	SUS304	1	
47	Packing (1 set)		1	
55	Oil plug	SUS304	1	

## MODEL:32GF21.5;32GF22.2 3 Ø



No.	Part name	Material	QTY	Remark
01	Cable		1	VCT/H07RN-F UL/CSA
03	Upper cover	FC-200	1	
04	Cable base cover	SUS304	1	
07	Stator		1	
09	Shaft(with Rotor)	SUS420J2	1	
10A	Auto-cut		1	
10B	Auto-cut plate		1	
11	Bearing fixer	SS41	1	
16	Motor frame	FC-200	1	
17	Lubricant	Turbine oil #32	1	
19	Bearing bracket	FC-200	1	
20A	Upper bearing		1	
20B	Lower bearing		2	
21	M. seal	CA VS CE SIC VS SIC	1	

No.	Part name	Material	QTY	Remark
23	M. seal bracket	FC-200	1	
24	Oil seal bush	SUS420J2	1	
25	Oil seal	NBR	1	
26	Casing	FC-200	1	
27	Impeller	FC-200	1	
36	Flange	FC-200	1	
39	Radial cutter	440C	1	
40	Cutter ring	440C	1	
41	Handle	SUS304	1	
46	Impeller key	SUS304	1	
47	Packing (1 set)		1	
55	Oil plug	SUS304	1	