

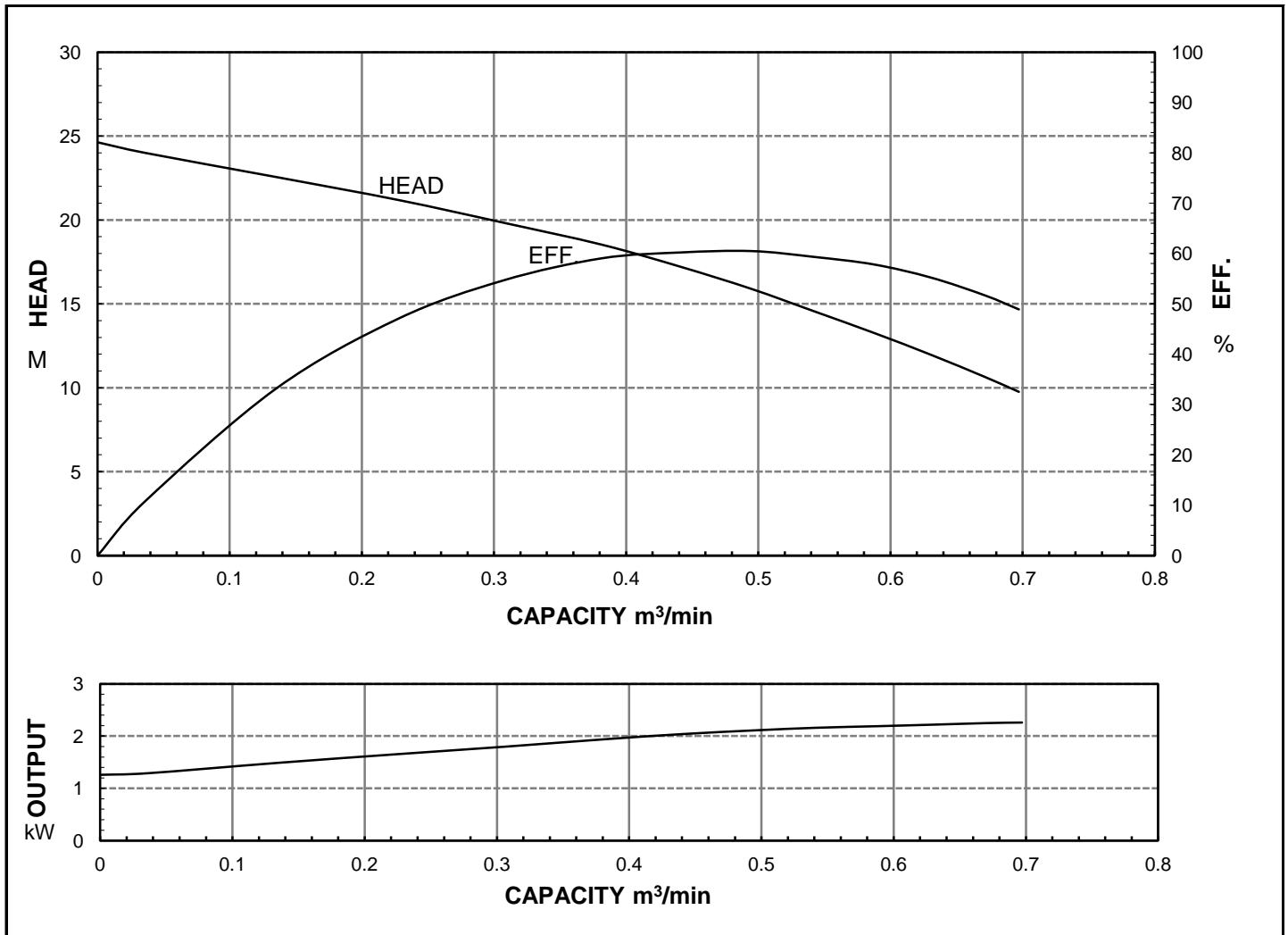


HCP PUMP

FILE NO PC-M-E5-50AL22.21

PUMP PERFORMANCE CURVES

MODEL	50AL22.2					DATE:	2011.12	
	STANDARD SPECIFICATION					REFERENCE SPECIFICATION		
FREQUENCY	50				Hz			
DISCHARGE	2	inch	/	50	mm			
OUTPUT	3	HP	/	2.2	kW	HP	kW	
HEAD	18				M			
CAPACITY	0.4				m ³ /min			
PHASE/VOLTAGE	1	φ	220 V	230 V	240 V			φ V
RATED CURRENT		15.0 A	14.6 A	14.4 A				A
POLE / R.P.M.	2	P	/	2840	R.P.M.			
START METHOD	DIRECT							
INSULATION CLASS	B							
REMARK								



HCP PUMP MANUFACTURER CO.,LTD.

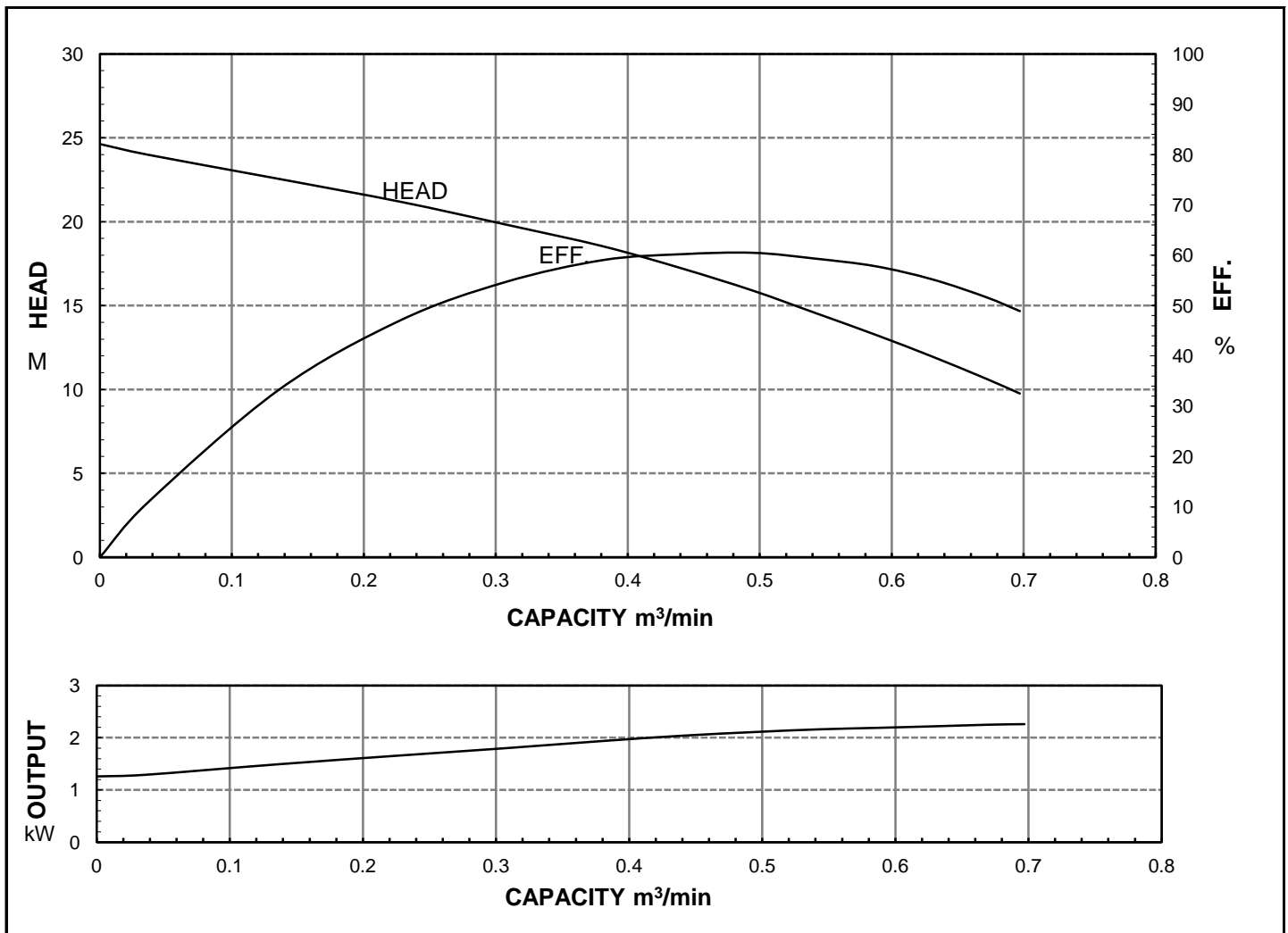


HCP PUMP

FILE NO PC-M-E5-50AL22.23

PUMP PERFORMANCE CURVES

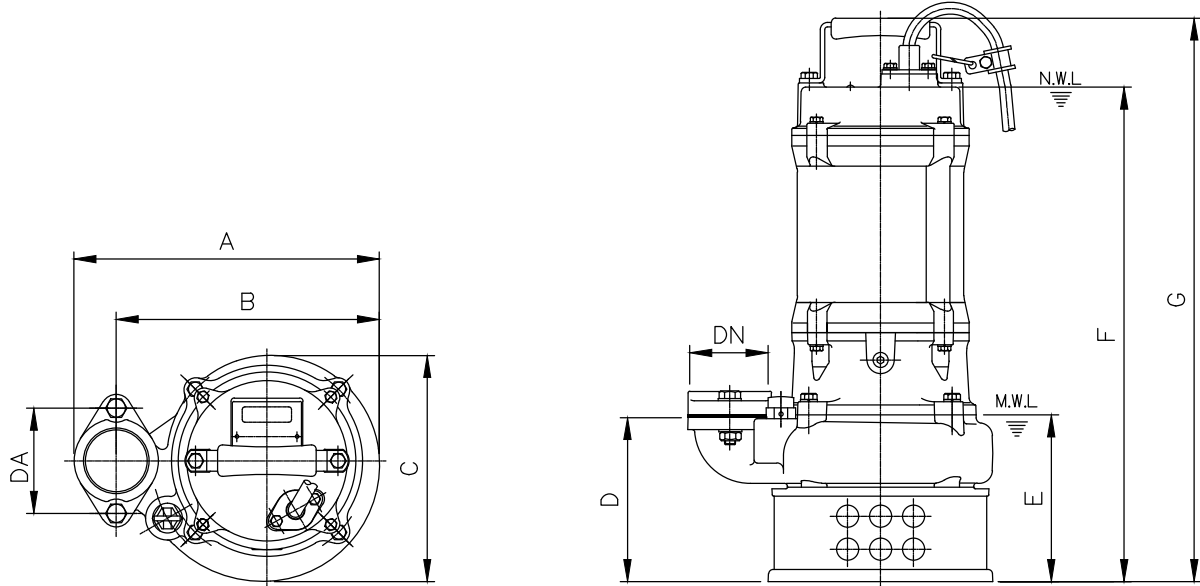
MODEL	50AL22.2				DATE:	2011.12
	STANDARD SPECIFICATION				REFERENCE SPECIFICATION	
FREQUENCY	50			Hz		
DISCHARGE	2	inch	/	50	mm	
OUTPUT	3	HP	/	2.2	kW	HP kW
HEAD	18			M		
CAPACITY	0.4			m ³ /min		
PHASE/VOLTAGE	3 φ	230 V	380 V	400 V	415 V	φ V
RATED CURRENT		8.6 A	5.1 A	5.0 A	4.8 A	A
POLE / R.P.M.	2	P	/	2840	R.P.M.	
START METHOD	DIRECT					
INSULATION CLASS	B					
REMARK						



HCP PUMP MANUFACTURER CO.,LTD.

MODEL: 50AL21.5;50AL22.2

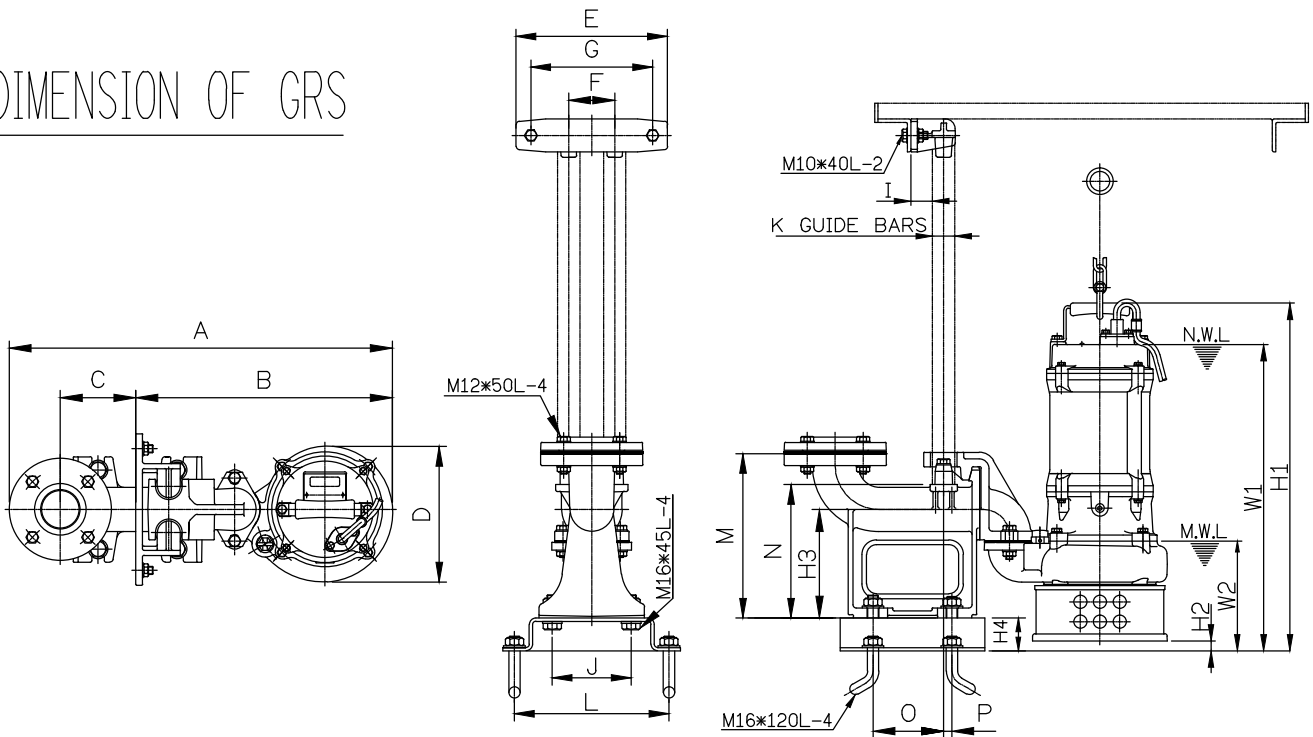
DIMENSION OF PUMP



Model	DN	DA	A	B	C	D	E	F	G
50AL21.5	50	96	279	241	206	150	150	451(502)	514(565)
50AL22.2	50	96	279	241	206	150	150	451(535)	514(598)

Remark: ()Dimensions in 1∅
 N.W.L: Normal water level
 M.W.L: Minimum water level

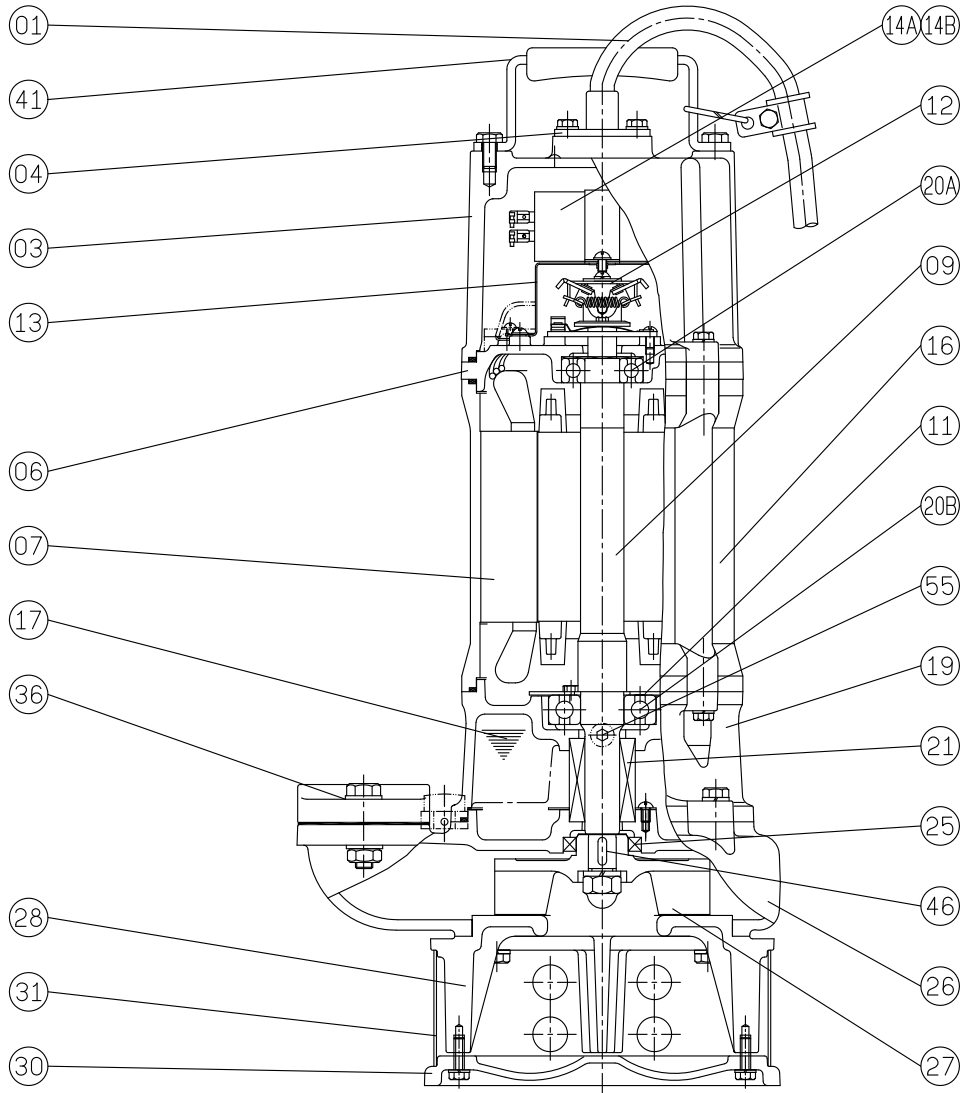
DIMENSION OF GRS



Model	DN	A	B	C	D	E	F	G	I	J	K	L	M	N	O	P	W1	W2	H1	H2	H3	*H4
50AL21.5	50	583	391	115	206	230	70	185	50	120	1	235	250	203	107.5	12.5	466(517)	165	529(580)	15	165	50
50AL22.2	50	583	391	115	206	230	70	185	50	120	1	235	250	203	107.5	12.5	466(550)	165	529(613)	15	165	50

*Require extra 50mm thick pad to fit between GRS body and floor

MODEL:50AL21.5;50AL22.2 1Ø



No.	Part name	Material	QTY	Remark
01	Cable		1	VCT/H07RN-F UL/CSA
03	Upper cover	FC-200	1	
04	Cable base cover	SUS403	1	
06	Bracket	FC-200	1	
07	Stator		1	
09	Shaft(with Rotor)	SUS420J2	1	
10	Auto-cut		1	
11	Bearing fixer		1	
12	Centrifugal switch		1	
13	Centrifugal switch cover		1	
14A	Capacitor		1	
14B	Start capacitor		1	
16	Motor frame	FC-200	1	
17	Lubricant	Turbine oil #32	1	
19	Bearing bracket	FC-200	1	
20A	Upper bearing		1	

No.	Part name	Material	QTY	Remark
20B	Lower bearing		1	
21	M. seal	CA VS CE SIC VS SIC	1	
25	Oil seal	NBR	1	
26	Casing	FC-200	1	
27	Impeller	FC-200	1	
28	Casing cover	FC-200	1	
30	Footing	FC-200	1	
31	Strainer	SUS304	1	
36	Flange	FC-200	1	
41	Handle	SUS304	1	
46	Impeller key	SUS304	1	
47	Packing (1 set)		1	
55	Oil plug	SUS304	1	

