

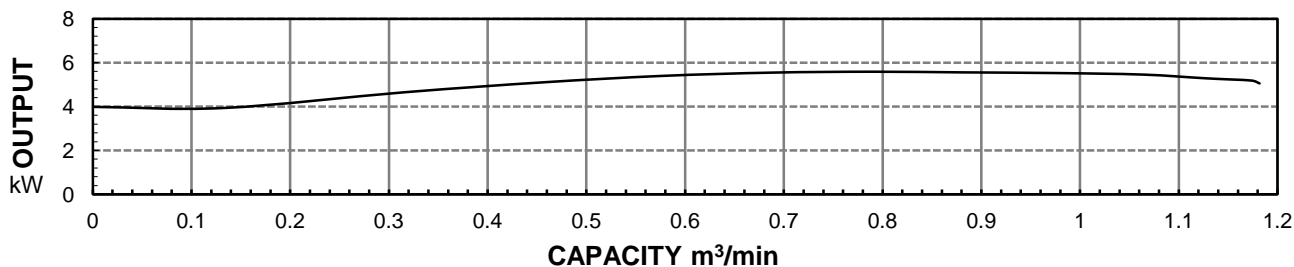
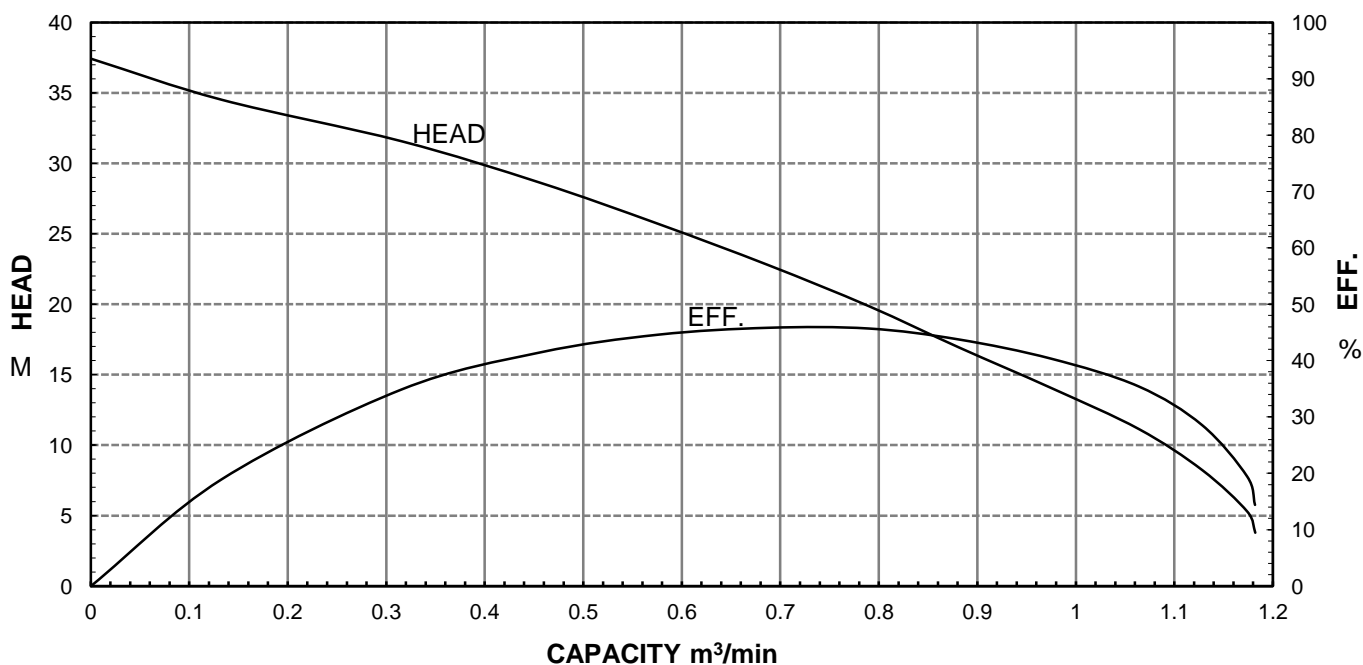


HCP PUMP

FILE NO PC-M-E5-80AGH25.5

PUMP PERFORMANCE CURVES

| | | | | | | |
|------------------|------------------------|--------|--------|---------------------|-------------------------|------------|
| MODEL | 80AGH25.5 | | | | DATE: | 2011.12 |
| | STANDARD SPECIFICATION | | | | REFERENCE SPECIFICATION | |
| FREQUENCY | 50 | | | Hz | | |
| DISCHARGE | 3 | inch | / | 80 | mm | |
| OUTPUT | 7.5 | HP | / | 5.5 | kW | HP kW |
| HEAD | 27 | | | M | | |
| CAPACITY | 0.5 | | | m ³ /min | | |
| PHASE/VOLTAGE | 3 φ | 230 V | 380 V | 400 V | 415 V | φ V |
| RATED CURRENT | | 20.0 A | 11.8 A | 11.6 A | 11.0 A | A |
| POLE / R.P.M. | 2 | P | / | 2850 | R.P.M. | |
| START METHOD | DIRECT | | | | | |
| INSULATION CLASS | F | | | | | |
| REMARK | | | | | | |



HCP PUMP MANUFACTURER CO.,LTD.

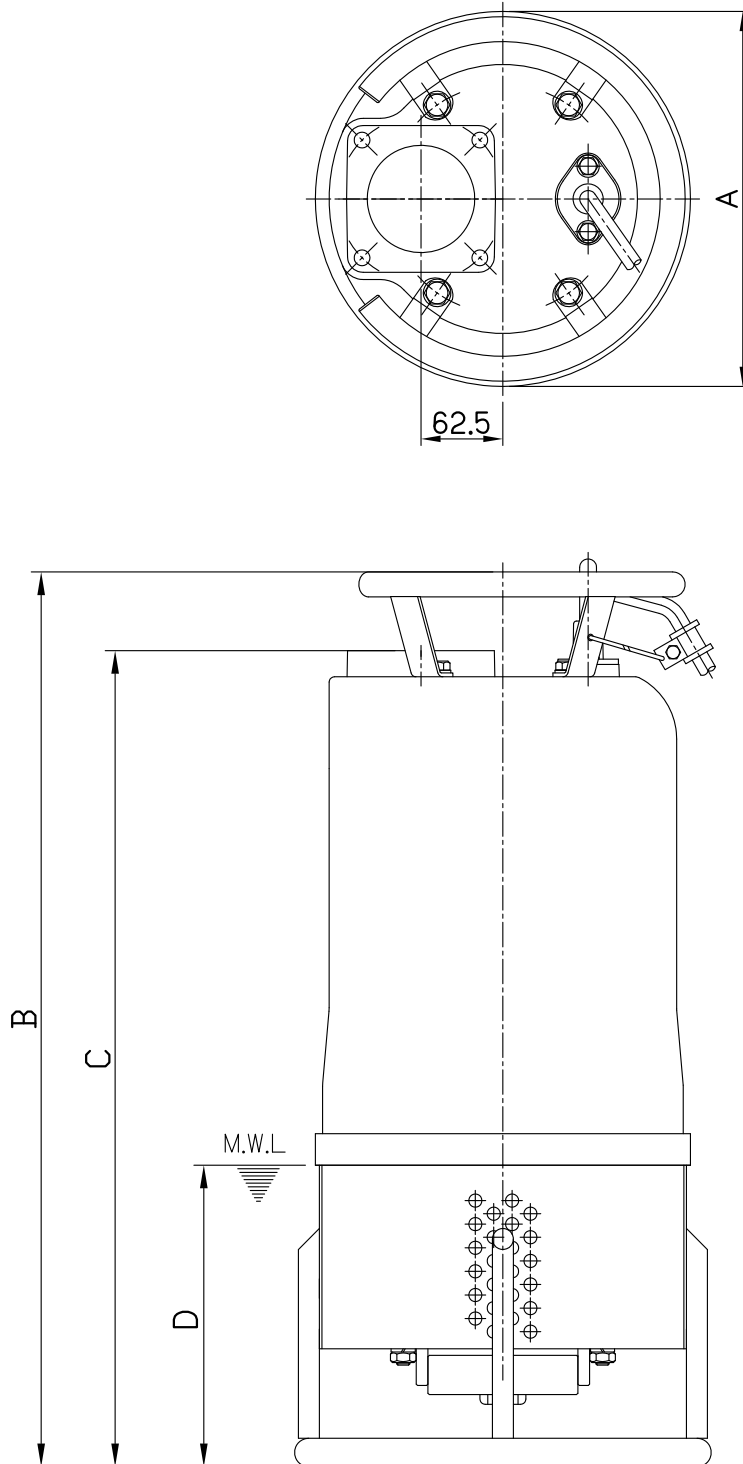
HCP PUMP

DIMENSIONAL DRAWING

No:DE-100AGN25.5-1

Date:2011-03

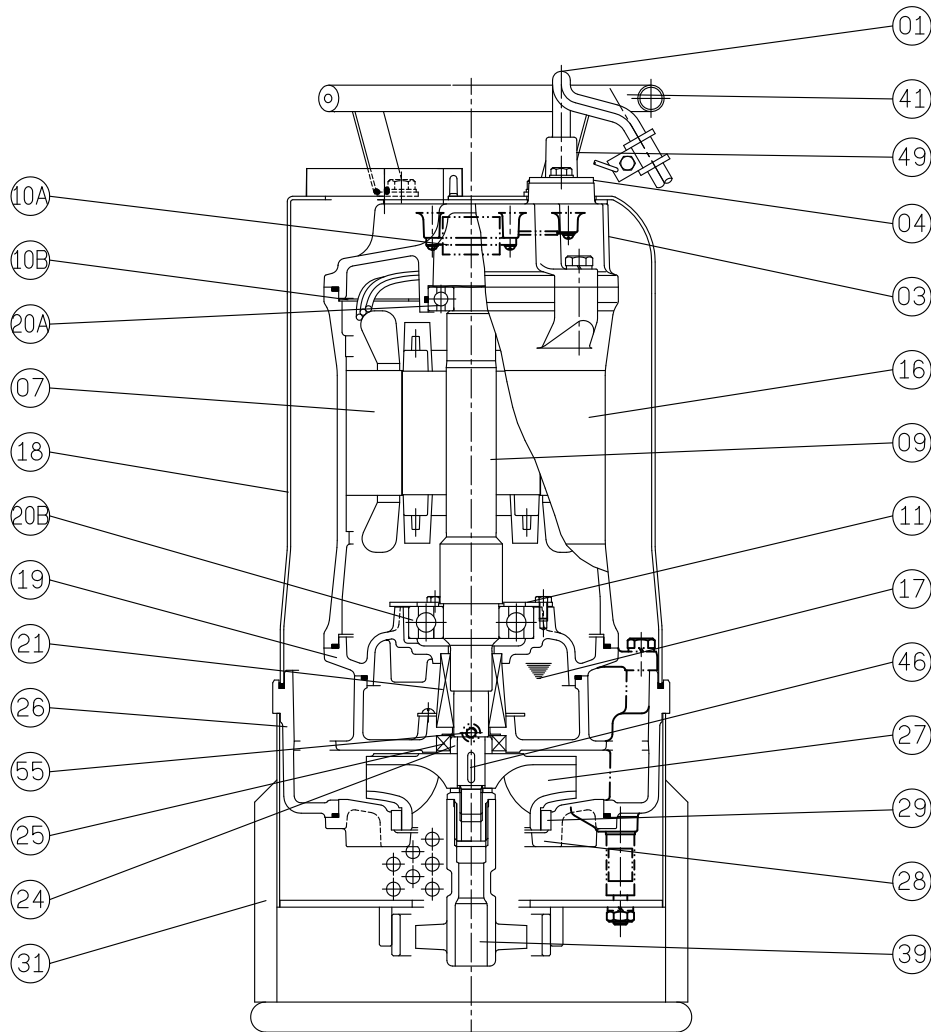
MODEL:80AGH25.5;100AGN25.5;100AGN27.5



| Model | A | B | C | D |
|------------|-----|-----|-----|-----|
| 80AGH25.5 | 286 | 683 | 623 | 200 |
| 100AGN25.5 | 286 | 683 | 623 | 200 |
| 100AGN27.5 | 286 | 683 | 623 | 200 |

M.W.L: Minimum water level

MODEL:80AGH25.5



| No. | Part name | Material | QTY | Remark |
|-----|-------------------|------------------------|-----|--------------------------|
| 01 | Cable | | 1 | VCT/ H07RN-F UL / CSA |
| 03 | Upper cover | FC-200 | 1 | |
| 04 | Cable base cover | SUS304 | 1 | |
| 07 | Stator | | 1 | |
| 09 | Shaft(with Rotor) | SUS420J2 | 1 | |
| 10A | Auto-cut | | 1 | |
| 10B | Auto-cut plate | | 1 | |
| 11 | Bearing fixer | SPCC | 1 | |
| 16 | Motor frame | FC-200 | 1 | |
| 17 | Lubricant | Turbine oil #32 | 1 | |
| 18 | Out cover | SUS304 | 1 | |
| 19 | Bearing bracket | FC-200 | 1 | |
| 20A | Upper bearing | | 1 | |
| 20B | Lower bearing | | 1 | |
| 21 | M. seal | CA VS CE SIC VS SIC | 1 | |
| 24 | Oil seal bush | SUS304 | 1 | |

| No. | Part name | Material | QTY | Remark |
|-----|-----------------|----------|-----|--------|
| 25 | Oil seal | NBR | 1 | |
| 26 | Casing | FC-200 | 1 | |
| 27 | Impeller | HiCr | 1 | |
| 28 | Casing cover | FC-200 | 1 | |
| 29 | Wear ring | HiCr | 1 | |
| 31 | Strainer | SUS304 | 1 | |
| 39 | Agitator | FCD700 | 1 | |
| 41 | Handle | SUS304 | 1 | |
| 46 | Impeller key | SUS304 | 1 | |
| 47 | Packing (1 set) | | 1 | |
| 49 | Cable sleeve | NEOPRENE | 1 | |
| 55 | Oil plug | SUS304 | 1 | |
| | | | | |
| | | | | |
| | | | | |
| | | | | |