

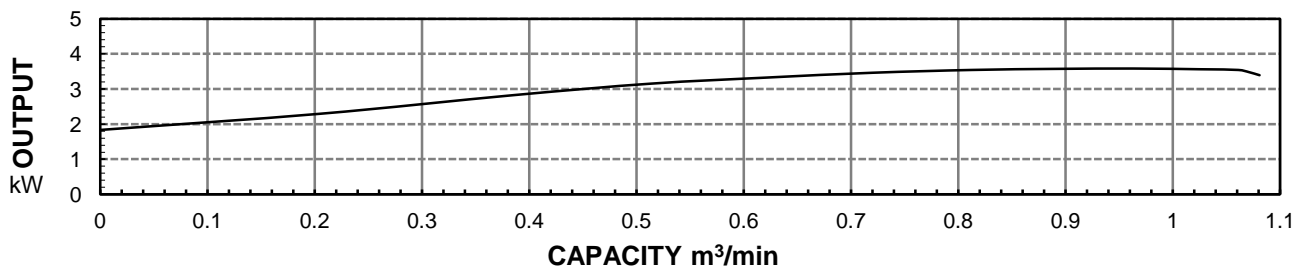
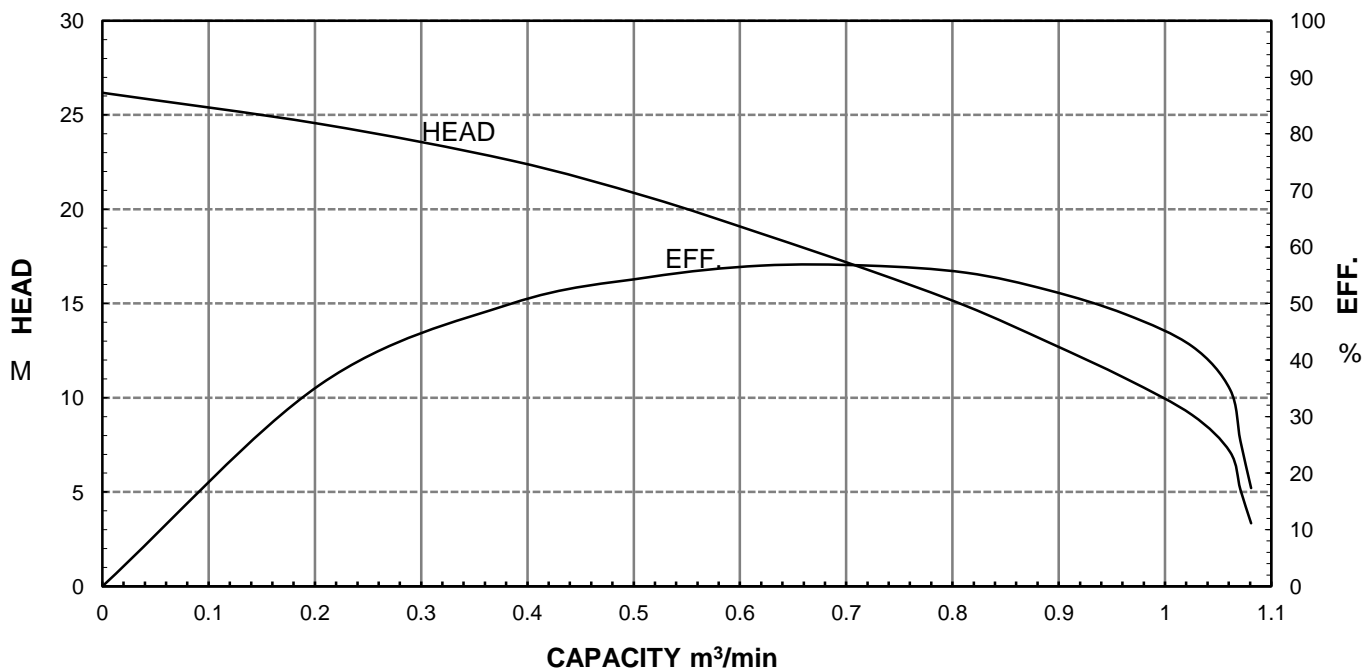


# HCP PUMP

FILE NO PC-M-E5-80AGN23.7

## PUMP PERFORMANCE CURVES

|                  |                        |        |       |                     |                         |            |
|------------------|------------------------|--------|-------|---------------------|-------------------------|------------|
| MODEL            | 80AGN23.7              |        |       |                     | DATE:                   | 2011.12    |
|                  | STANDARD SPECIFICATION |        |       |                     | REFERENCE SPECIFICATION |            |
| FREQUENCY        | 50                     |        |       | Hz                  |                         |            |
| DISCHARGE        | 3                      | inch   | /     | 80                  | mm                      |            |
| OUTPUT           | 5                      | HP     | /     | 3.7                 | kW                      | HP      kW |
| HEAD             | 21                     |        |       | M                   |                         |            |
| CAPACITY         | 0.5                    |        |       | m <sup>3</sup> /min |                         |            |
| PHASE/VOLTAGE    | 3 φ                    | 230 V  | 380 V | 400 V               | 415 V                   | φ      V   |
| RATED CURRENT    |                        | 14.3 A | 8.3 A | 8.3 A               | 7.9 A                   | A          |
| POLE / R.P.M.    | 2                      | P      | /     | 2800                | R.P.M.                  |            |
| START METHOD     | DIRECT                 |        |       |                     |                         |            |
| INSULATION CLASS | F                      |        |       |                     |                         |            |
| REMARK           |                        |        |       |                     |                         |            |



HCP PUMP MANUFACTURER CO.,LTD.

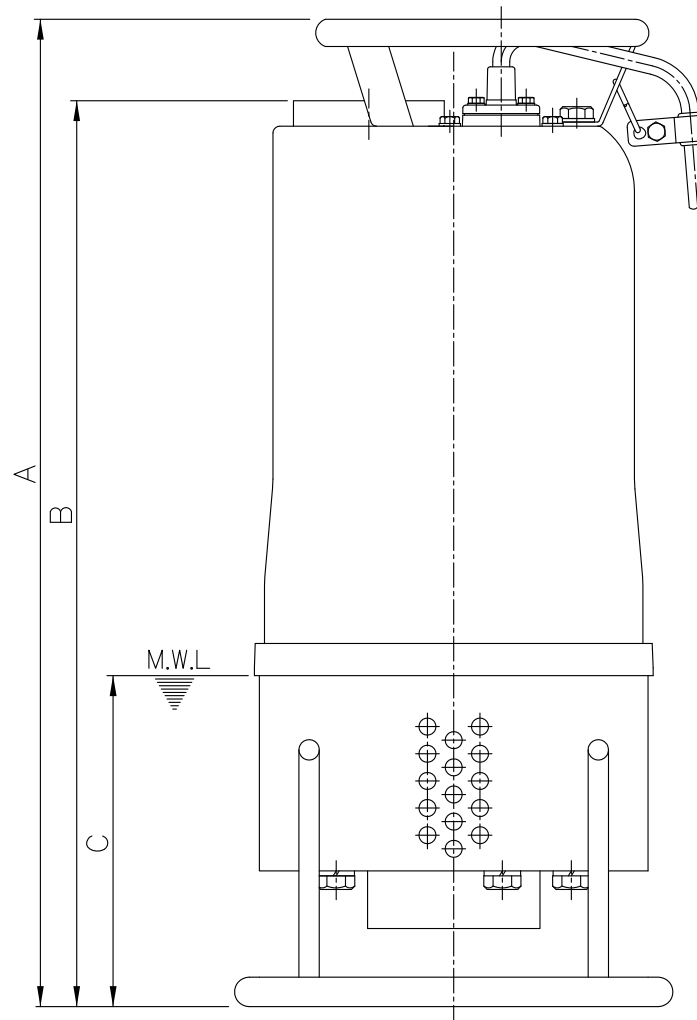
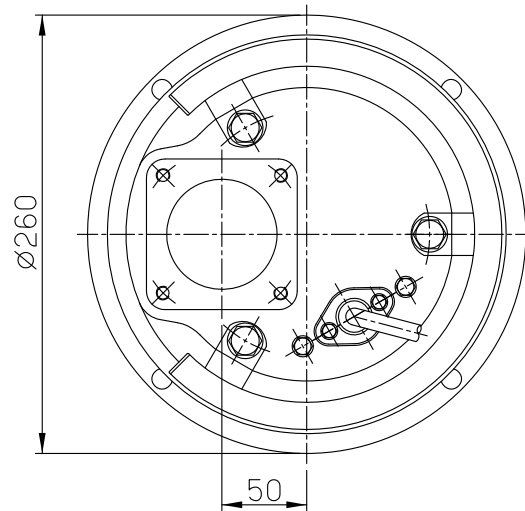
HCP PUMP

DIMENSIONAL DRAWING

No:DE-80AGN21.5

Date:2011-01

MODEL: 80AGN21.5;80AGN22.2;80AGN23.7

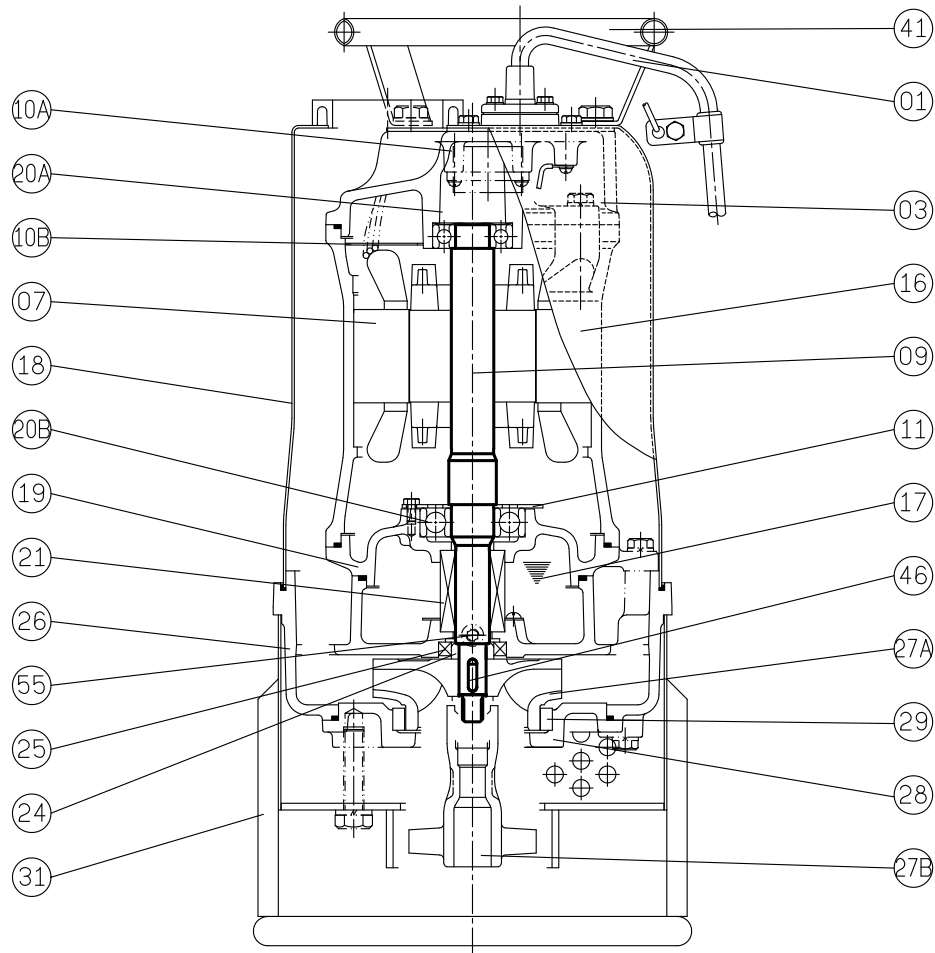


| MODEL     | A        | B        | C   |
|-----------|----------|----------|-----|
| 80AGN21.5 | 547(592) | 499(544) | 195 |
| 80AGN22.2 | 547(622) | 499(574) | 195 |
| 80AGN23.7 | 577      | 529      | 195 |

M.W.L: Minimun water level

Remark:( )Dimensions in 1 $\varnothing$

MODEL:80AGN21.5;80AGN22.2;80AGN23.7 3Ø



| No. | Part name         | Material               | QTY | Remark                   |
|-----|-------------------|------------------------|-----|--------------------------|
| 01  | Cable             |                        | 1   | VCT/ H07RN-F<br>UL / CSA |
| 03  | Upper cover       | FC-200                 | 1   |                          |
| 04  | Cable base cover  | SUS304                 | 1   |                          |
| 09  | Shaft(with Rotor) | SUS403                 | 1   |                          |
| 10A | Auto-cut          |                        | 1   |                          |
| 10B | Auto-cut plate    |                        | 1   |                          |
| 11  | Bearing fixer     | SPCC                   | 1   |                          |
| 16  | Motor frame       | FC-200                 | 1   |                          |
| 17  | Lubricant         | Turbine oil<br>#32     | 1   |                          |
| 18  | Out cover         | SUS304                 | 1   |                          |
| 19  | Bearing bracket   | FC-200                 | 1   |                          |
| 20A | Upper bearing     |                        | 1   |                          |
| 20B | Lower bearing     |                        | 1   |                          |
| 21  | M. seal           | CA VS CE<br>SIC VS SIC | 1   |                          |
| 24  | Oil seal bush     | SUS403                 | 1   |                          |

| No. | Part name       | Material | QTY | Remark |
|-----|-----------------|----------|-----|--------|
| 25  | Oil seal        | NBR      | 1   |        |
| 26  | Casing          | FC-200   | 1   |        |
| 27A | Impeller        | HiCr     | 1   |        |
| 27B | Agitator        | FCD700   | 1   |        |
| 28  | Casing cover    | FC-200   | 1   |        |
| 29  | Wear ring       | HiCr     | 1   |        |
| 31  | Strainer        | SUS304   | 1   |        |
| 41  | Handle          | SUS304   | 1   |        |
| 46  | Impeller key    | SUS304   | 1   |        |
| 47  | Packing (1 set) |          | 1   |        |
| 55  | Oil plug        | SUS304   | 1   |        |
|     |                 |          |     |        |
|     |                 |          |     |        |
|     |                 |          |     |        |