

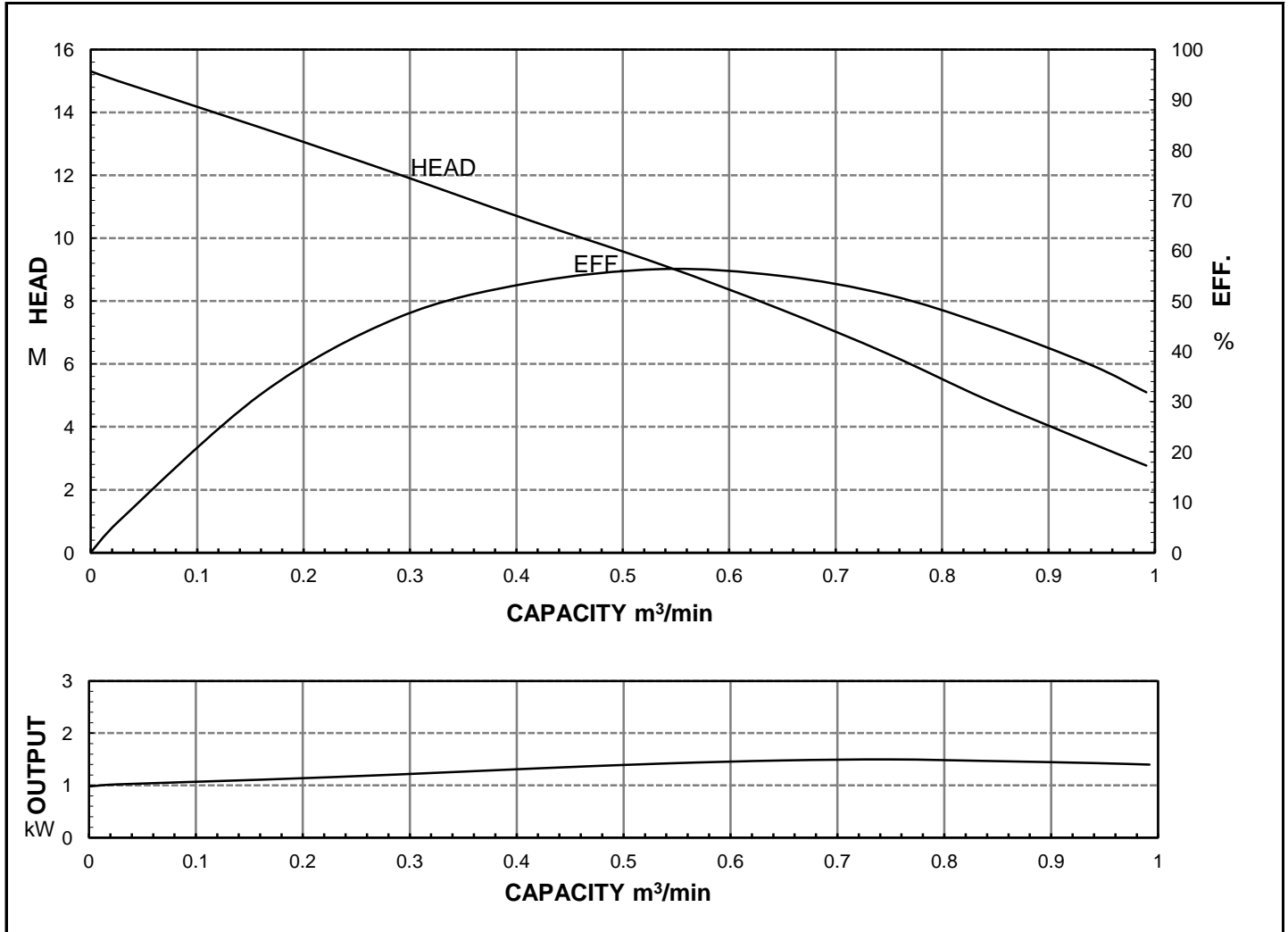


# HCP PUMP

FILE NO PC-M-E5-80AL21.51

## PUMP PERFORMANCE CURVES

MODEL	80AL21.5					DATE:	2011.12	
	STANDARD SPECIFICATION					REFERENCE SPECIFICATION		
FREQUENCY	50				Hz			
DISCHARGE	3	inch	/	80	mm			
OUTPUT	2	HP	/	1.5	kW	HP	kW	
HEAD	8				M			
CAPACITY	0.6				m <sup>3</sup> /min			
PHASE/VOLTAGE	1	φ	220 V	230 V	240 V		φ	V
RATED CURRENT		10.4 A	10.0 A	9.8 A				A
POLE / R.P.M.	2	P	/	2820	R.P.M.			
START METHOD	DIRECT							
INSULATION CLASS	B							
REMARK								



HCP PUMP MANUFACTURER CO.,LTD.

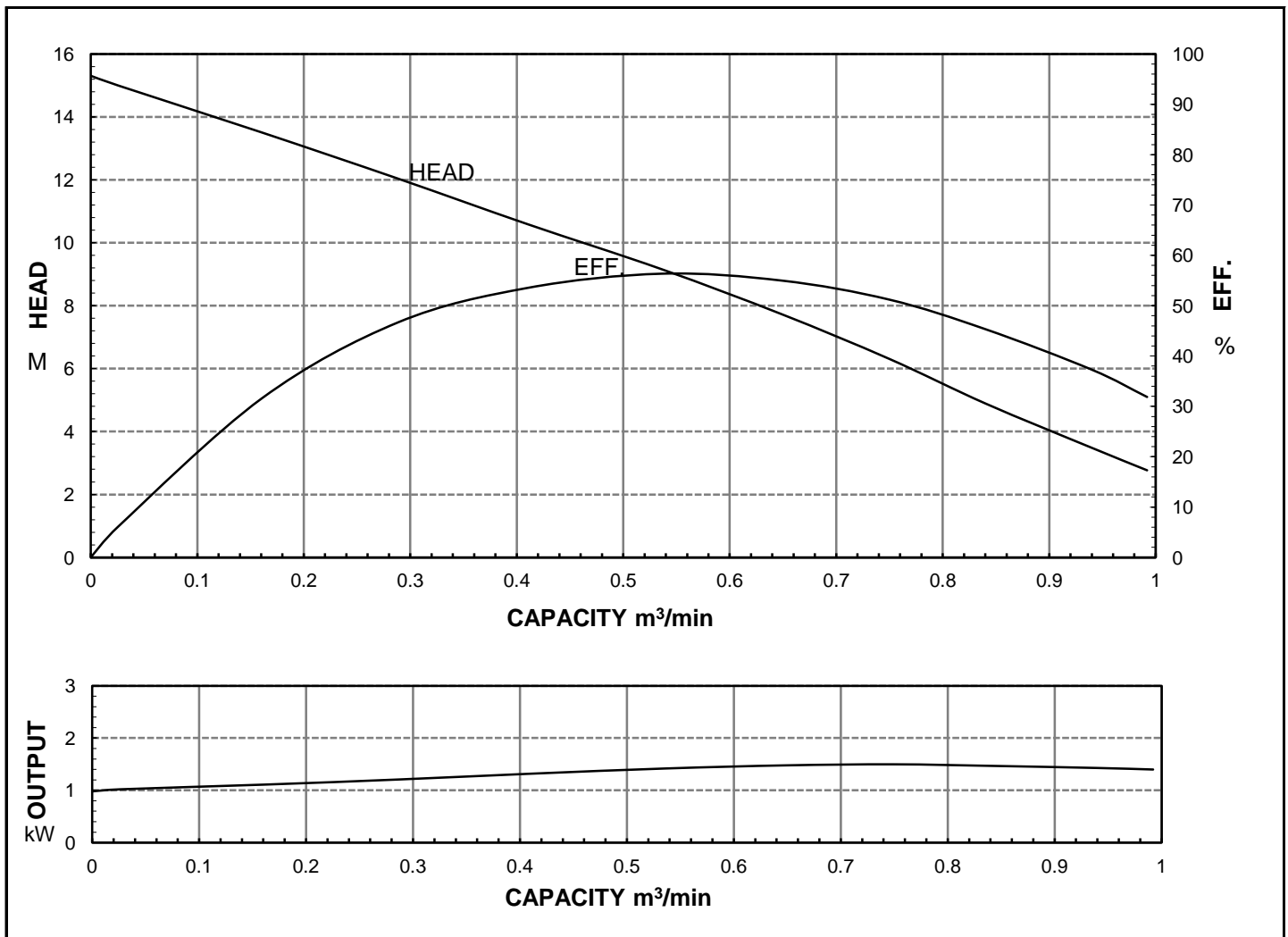


# HCP PUMP

FILE NO PC-M-E5-80AL21.53

## PUMP PERFORMANCE CURVES

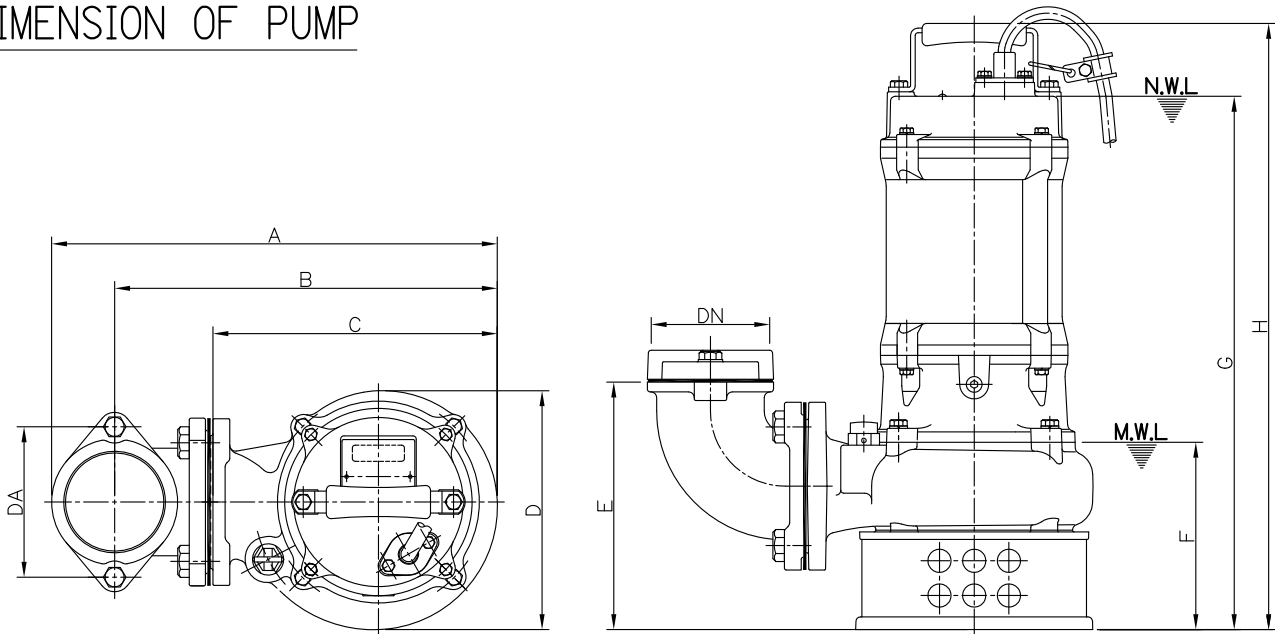
MODEL	80AL21.5				DATE:	2011.12
	STANDARD SPECIFICATION				REFERENCE SPECIFICATION	
FREQUENCY	50			Hz		
DISCHARGE	3	inch	/	80	mm	
OUTPUT	2	HP	/	1.5	kW	HP      kW
HEAD	8			M		
CAPACITY	0.6			m <sup>3</sup> /min		
PHASE/VOLTAGE	3 φ	230 V	380 V	400 V	415 V	φ      V
RATED CURRENT		6.1 A	3.6 A	3.5 A	3.4 A	A
POLE / R.P.M.	2	P	/	2820	R.P.M.	
START METHOD	DIRECT					
INSULATION CLASS	B					
REMARK						



HCP PUMP MANUFACTURER CO.,LTD.

MODEL:80AL21.5 ; 80AL22.2

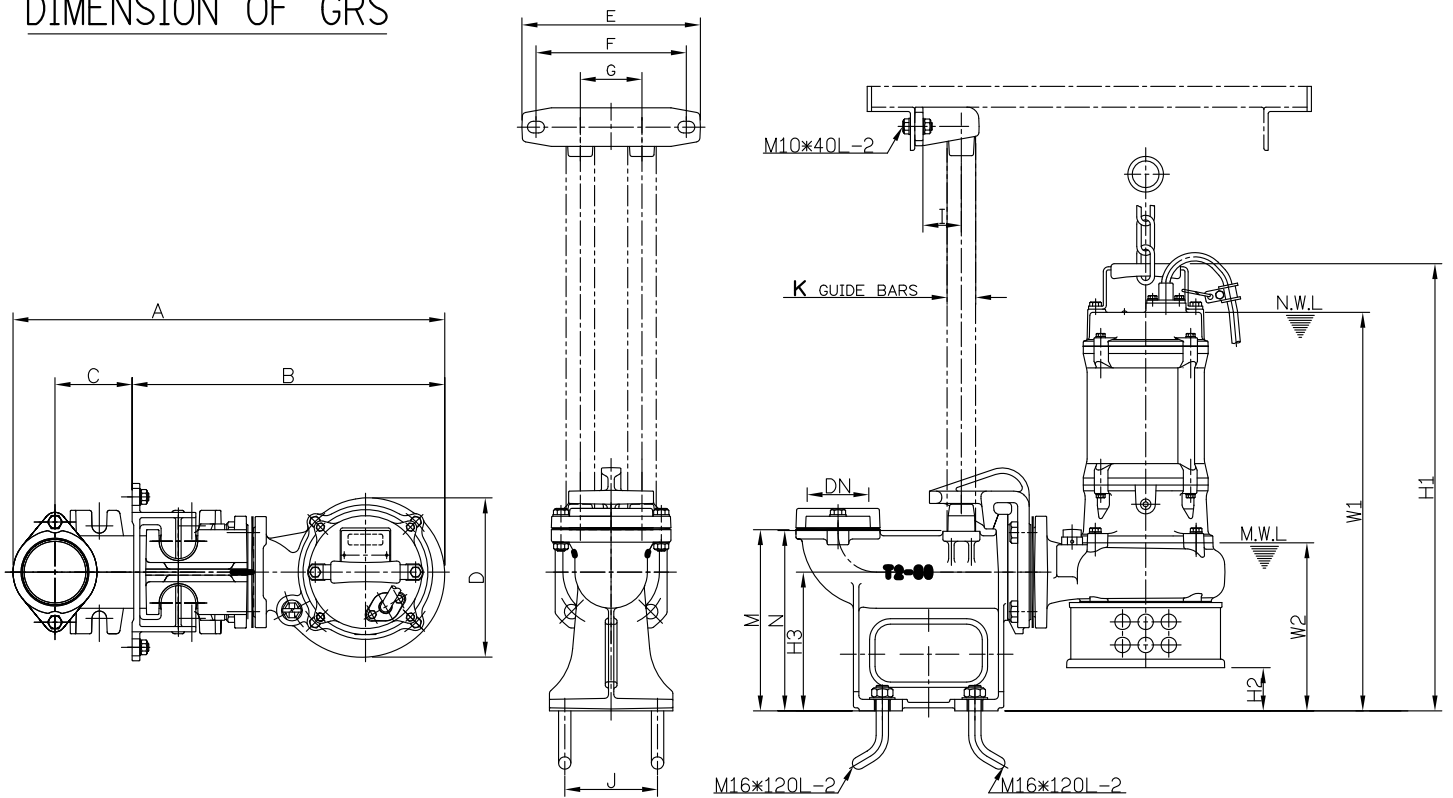
DIMENSION OF PUMP



Model	DN	DA	A	B	C	D	E	F	G	H
80AL21.5	80	130	385	333	247	207	214	160	461(512)	524(575)
80AL22.2	80	130	385	333	247	207	214	160	461(545)	524(608)

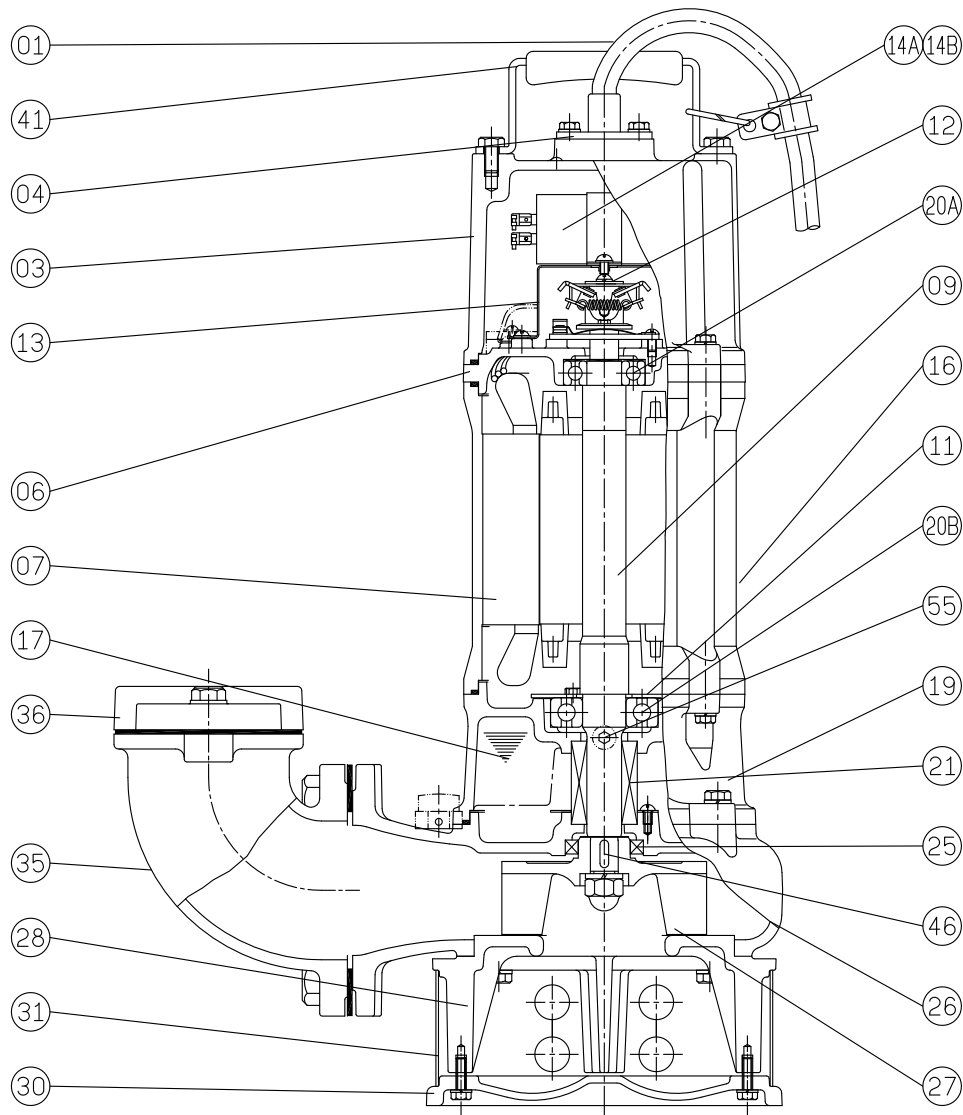
Remark: ( )Dimensions in 1/8  
 N.W.L.:Normal water level  
 M.W.L.:Minimum water level

DIMENSION OF GRS



Model	DN	A	B	C	D	E	F	G	I	J	K	M	N	W1	H1	W2	H2	H3
80AL21.5	80	560	410	100	210	230	195	80	50	120	1 1/4"	235	233	521(572)	584(635)	220	60	180
80AL22.2	80	560	410	100	210	230	195	80	50	120	1 1/4"	235	233	521(605)	584(668)	220	60	180

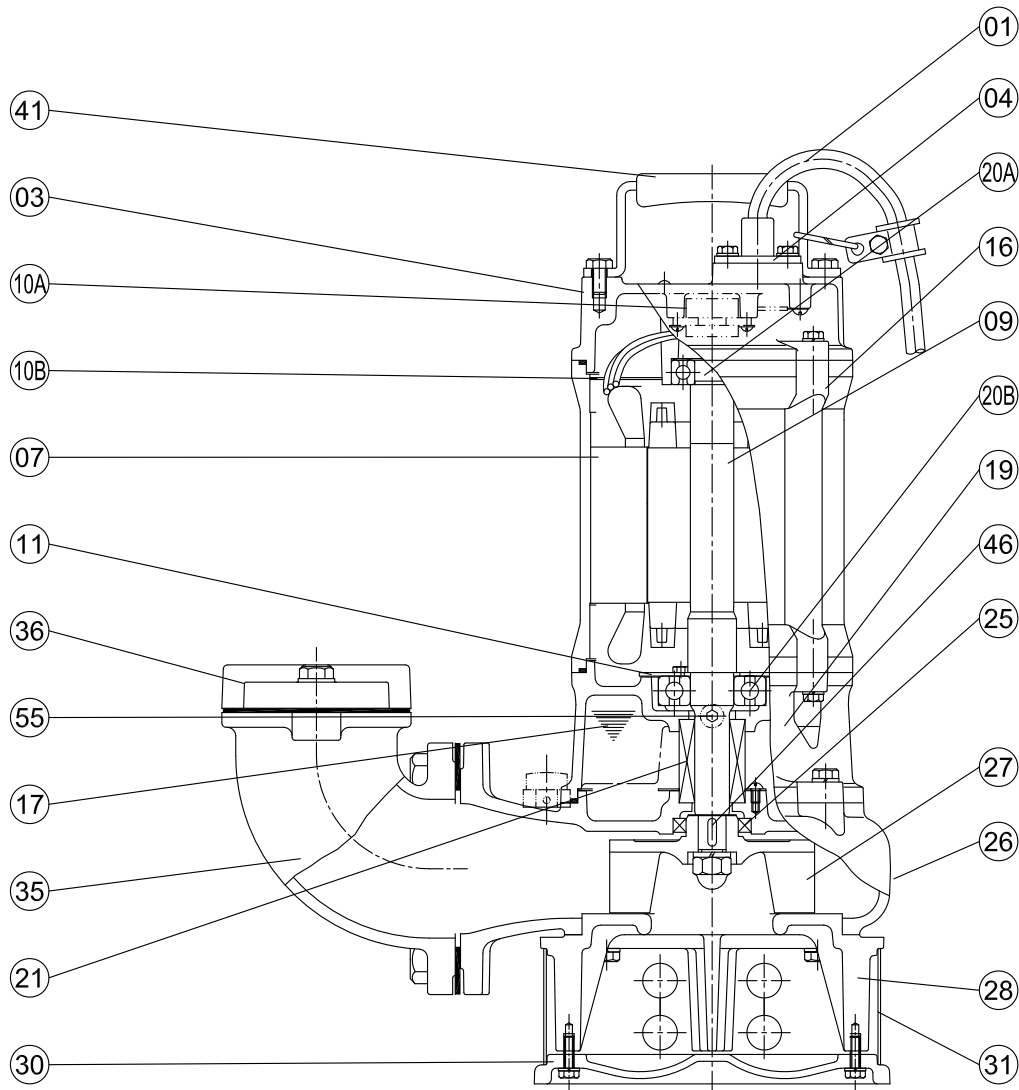
MODEL: 80AL21.5;80AL22.2 1Ø



No.	Part name	Material	QTY	Remark
01	Cable		1	VCT/H07RN-F UL/CSA
03	Upper cover	FC-200	1	
04	Cable base cover	SUS403	1	
06	Bracket	FC-200	1	
07	Stator		1	
09	Shaft(with Rotor)	SUS420J2	1	
10	Auto-cut		1	
11	Bearing fixer		1	
12	Centrifugal switch		1	
13	Centrifugal switch cover		1	
14A	Capacitor		1	
14B	Start capacitor		1	
16	Motor frame	FC-200	1	
17	Lubricant	Turbine oil #32	1	
19	Bearing bracket	FC-200	1	
20A	Upper bearing		1	

No.	Part name	Material	QTY	Remark
20B	Lower bearing		1	
21	M. seal	CA VS CE SIC VS SIC	1	
25	Oil seal	NBR	1	
26	Casing	FC-200	1	
27	Impeller	FC-200	1	
28	Casing cover	FC-200	1	
30	Footing	FC-200	1	
31	Strainer	SUS304	1	
35	Coupling	FC-200	1	
36	Flange	FC-200	1	
41	Handle	SUS304	1	
46	Impeller key	SUS304	1	
47	Packing (1 set)		1	
55	Oil plug	SUS304	1	

MODEL: 80AL21.5;80AL22.2 3Ø



No.	Part name	Material	QTY	Remark
01	Cable		1	VCT/H07RN-F UL / CSA
03	Upper cover	FC-200	1	
04	Cable base cover	SUS403	1	
07	Stator		1	
09	Shaft(with Rotor)	SUS420J2	1	
10A	Auto-cut		1	
10B	Auto-cut plate		1	
11	Bearing fixer		1	
16	Motor frame	SUS304	1	
17	Lubricant	Turbine oil #32	1	
19	Bearing bracket	FC-200	1	
20A	Upper bearing		1	
20B	Lower bearing		1	
21	M. seal	SIC VS SIC	1	
25	Oil seal	NBR	1	

No.	Part name	Material	QTY	Remark
26	Casing	FC-200	1	
27	Impeller	FC-200	1	
28	Casing cover	FC-200	1	
30	Footing	FC-200	1	
31	Strainer	SUS304	1	
35	Coupling	FC-200	1	
36	Flange	FC-200	1	
41	Handle	SUS304	1	
46	Impeller key	SUS304	1	
47	Packing (1 set)		1	
55	Oil plug	SUS304	1	