

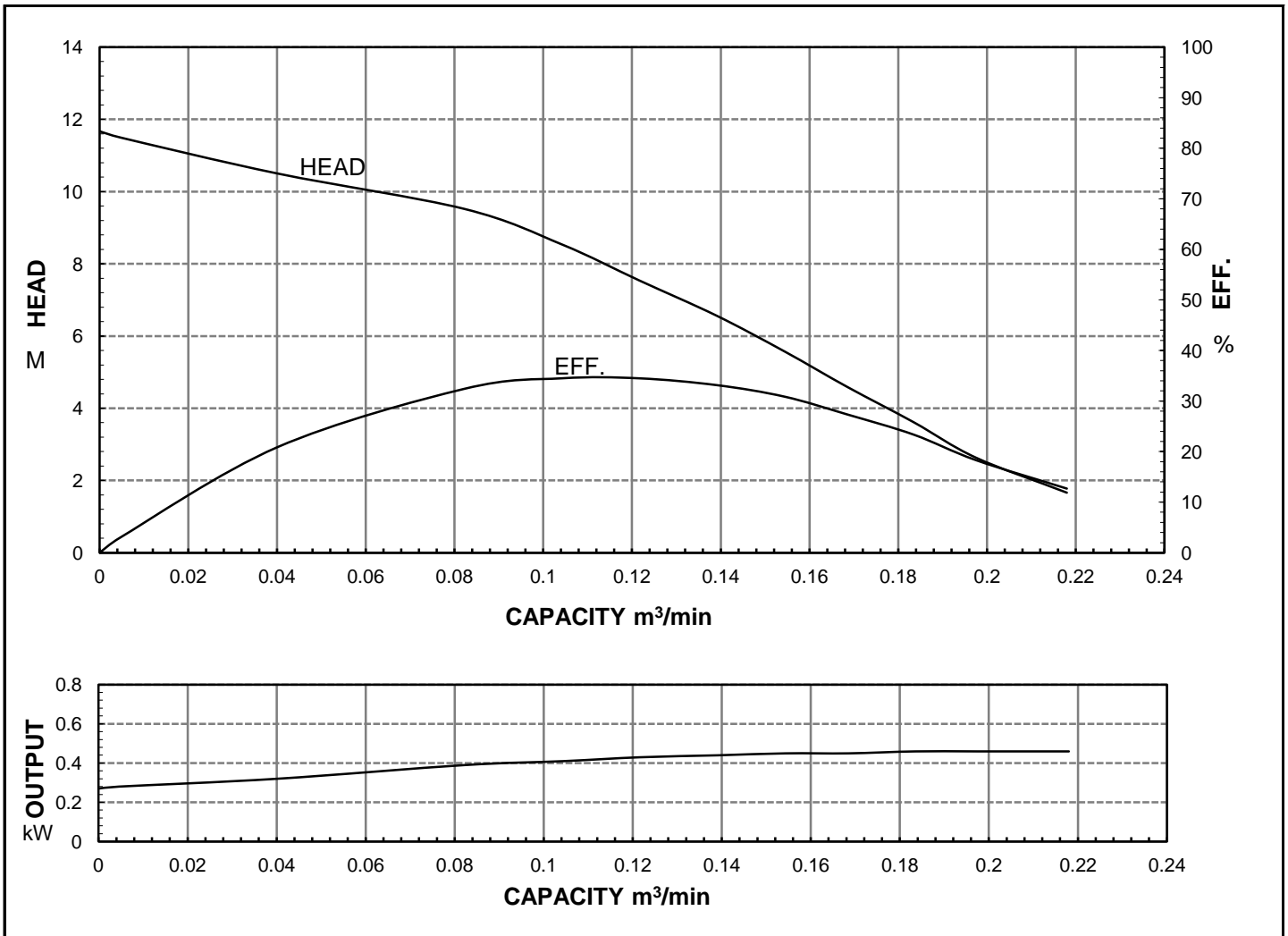


HCP PUMP

FILE NO PC-M-E5-A05B1

PUMP PERFORMANCE CURVES

MODEL	A-05B					DATE:	2011.1	
	STANDARD SPECIFICATION					REFERENCE SPECIFICATION		
FREQUENCY	50					Hz		
DISCHARGE	2	inch	/	50	mm			
OUTPUT	0.5	HP	/	0.4	kW	HP	kW	
HEAD	8					M		
CAPACITY	0.1					m ³ /min		
PHASE/VOLTAGE	1	φ	220 V	230 V	240 V		φ	V
RATED CURRENT		2.9 A	2.8 A	2.7 A				A
POLE / R.P.M.	2	P	/	2780	R.P.M.			
START METHOD	DIRECT							
INSULATION CLASS	B							
REMARK								



HCP PUMP MANUFACTURER CO.,LTD.

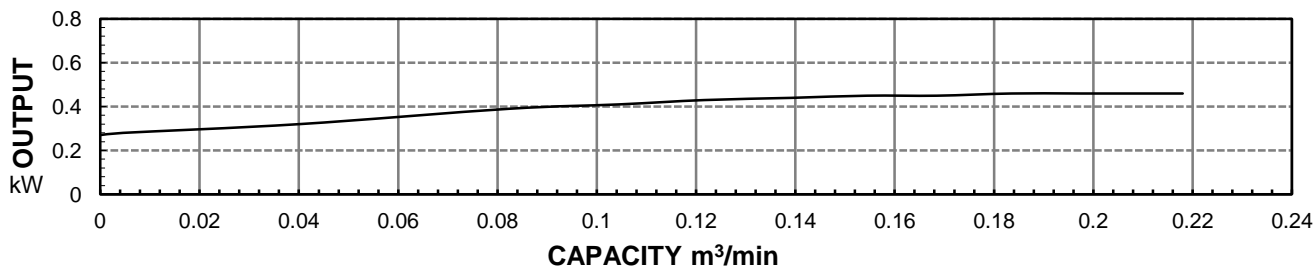
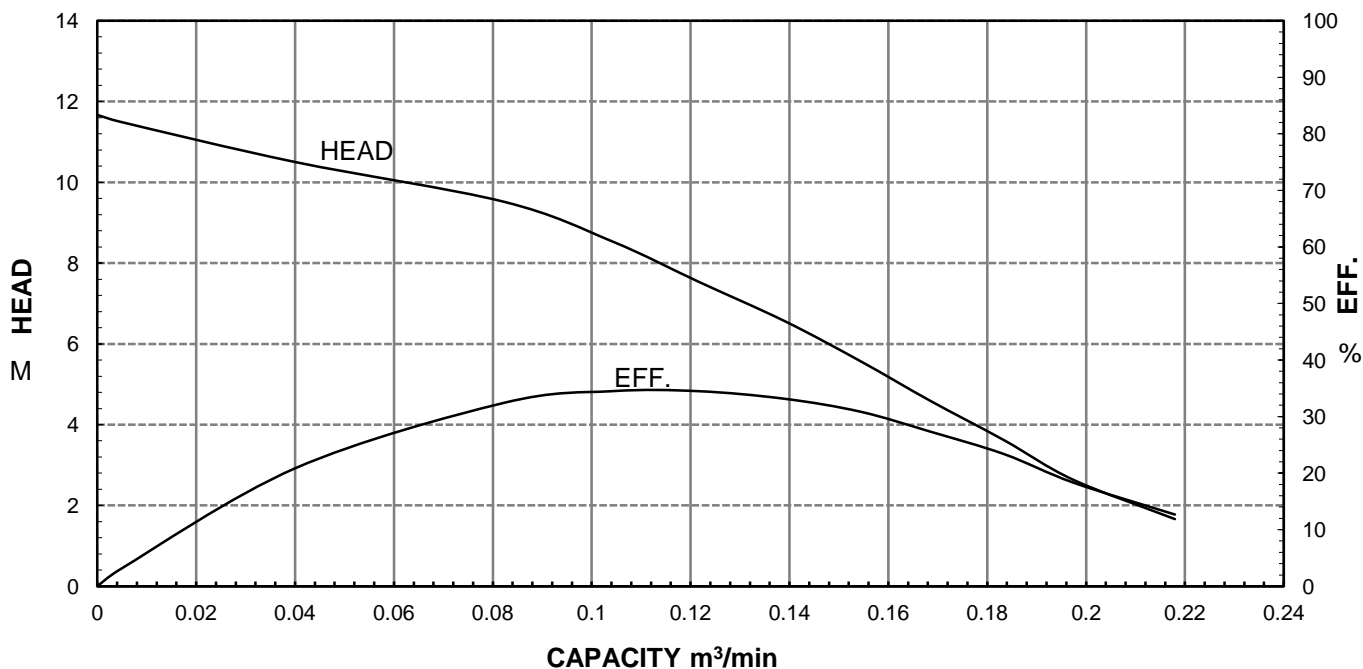


HCP PUMP

FILE NO PC-M-E5-A05B3

PUMP PERFORMANCE CURVES

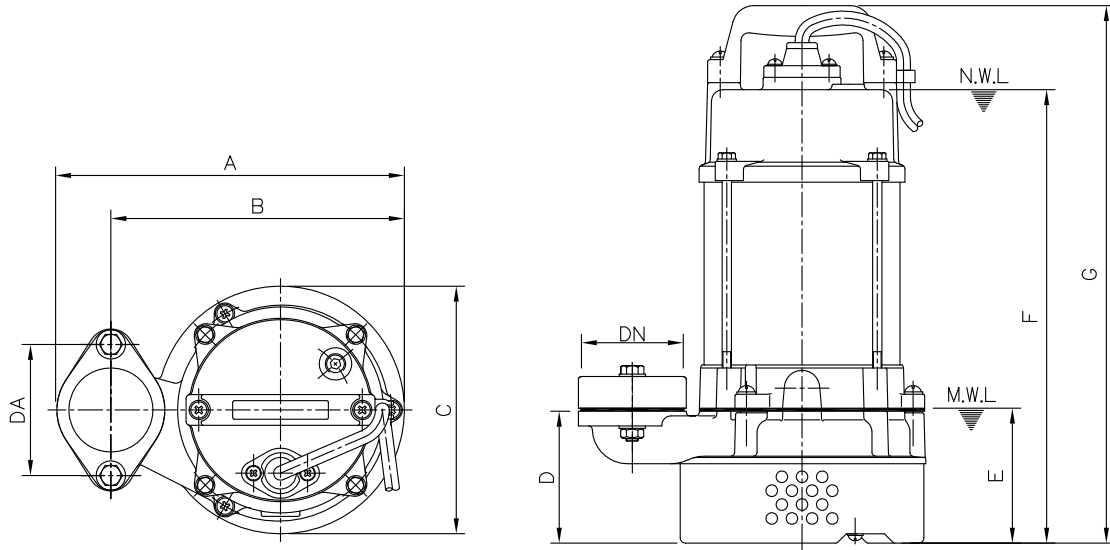
MODEL	A-05B				DATE:	2011.1
	STANDARD SPECIFICATION				REFERENCE SPECIFICATION	
FREQUENCY	50			Hz		
DISCHARGE	2	inch	/	50	mm	
OUTPUT	0.5	HP	/	0.4	kW	HP kW
HEAD	8			M		
CAPACITY	0.1			m ³ /min		
PHASE/VOLTAGE	3 φ	230 V	380 V	400 V	415 V	φ V
RATED CURRENT		2.0 A	1.2 A	1.2 A	1.1 A	A
POLE / R.P.M.	2	P	/	2780	R.P.M.	
START METHOD	DIRECT					
INSULATION CLASS	B					
REMARK						



HCP PUMP MANUFACTURER CO.,LTD.

MODEL: A-05A;A-05B

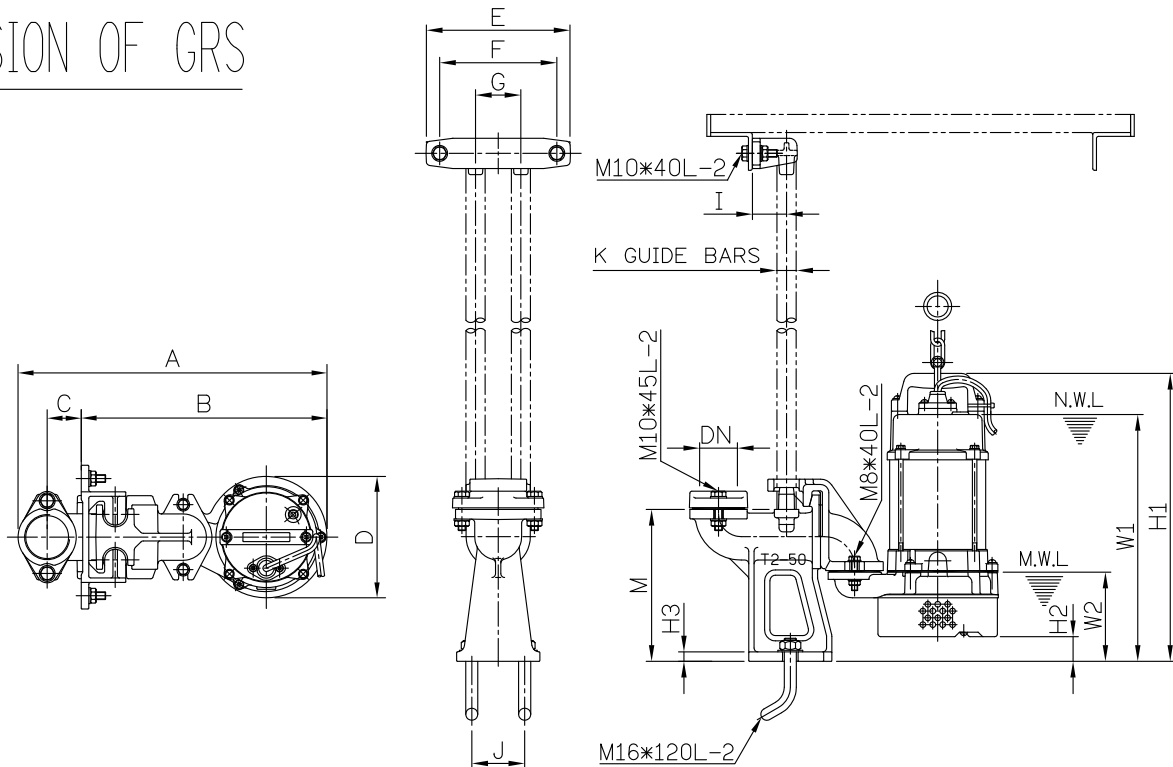
DIMENSION OF PUMP



Model	DN	DA	A	B	C	D	E	F	G
A-05A	50	84	226	191	161	86	88	294	349
A-05B	50	84	226	191	161	86	88	318	372

N.W.L: Normal water level
M.W.L: Minimum water level

DIMENSION OF GRS



Model	DN	A	B	C	D	E	F	G	I	J	K	M	W1	W2	H1	H2	H3
A-05A	50	409	325	45	161	190	155	60	45	70	3/4"	201	327	118	381	33	13
A-05B	50	409	325	45	161	190	155	60	45	70	3/4"	201	349	118	403	33	13



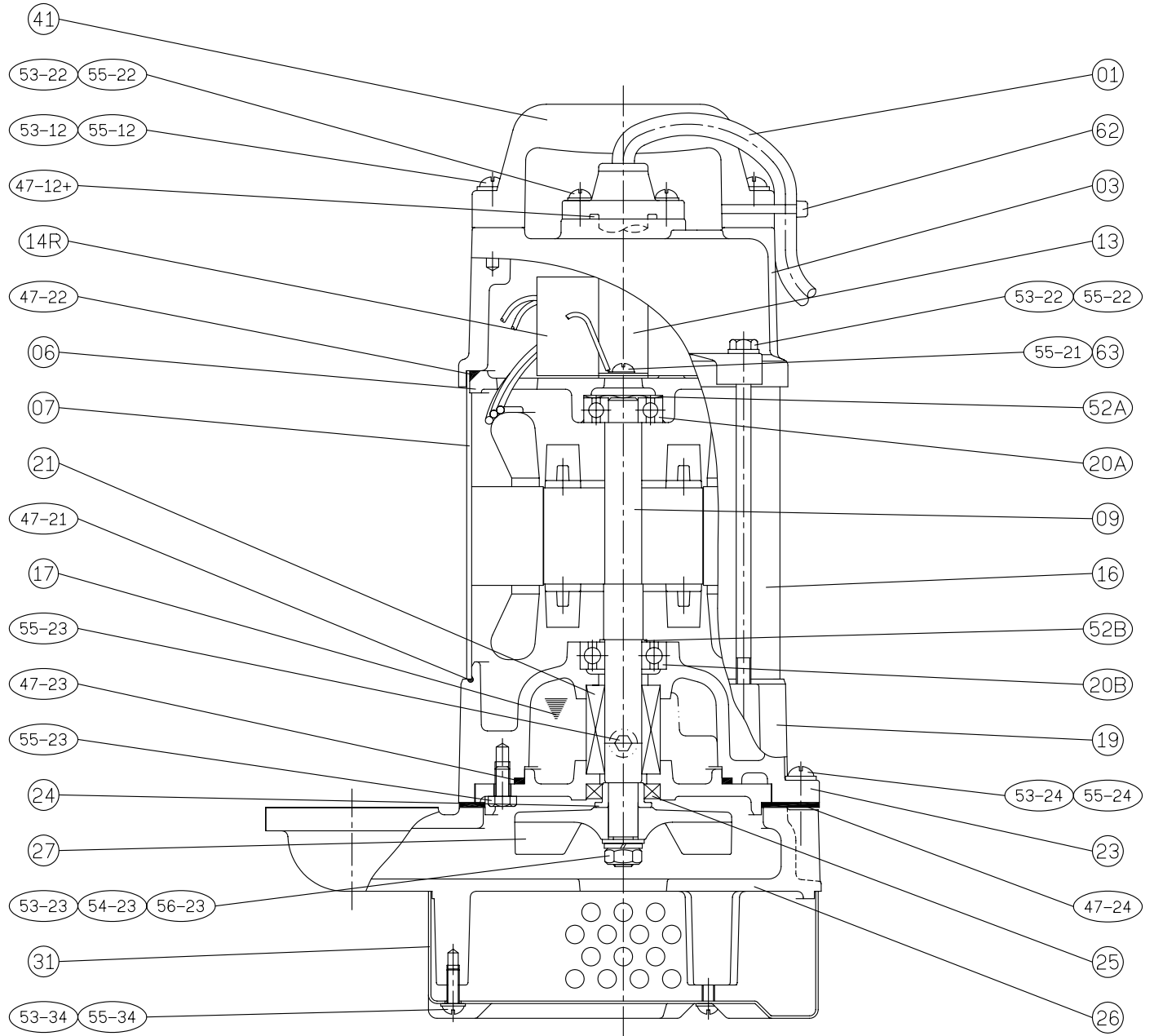
PUMP

SECTIONAL DRAWING

A2A00205B10-00

DATE:2011-06

MODEL: A-05B 1Ø





PUMP

SECTIONAL DRAWING

A2A00205B30-00

DATE:2011-06

MODEL: A-05B 3Ø

