

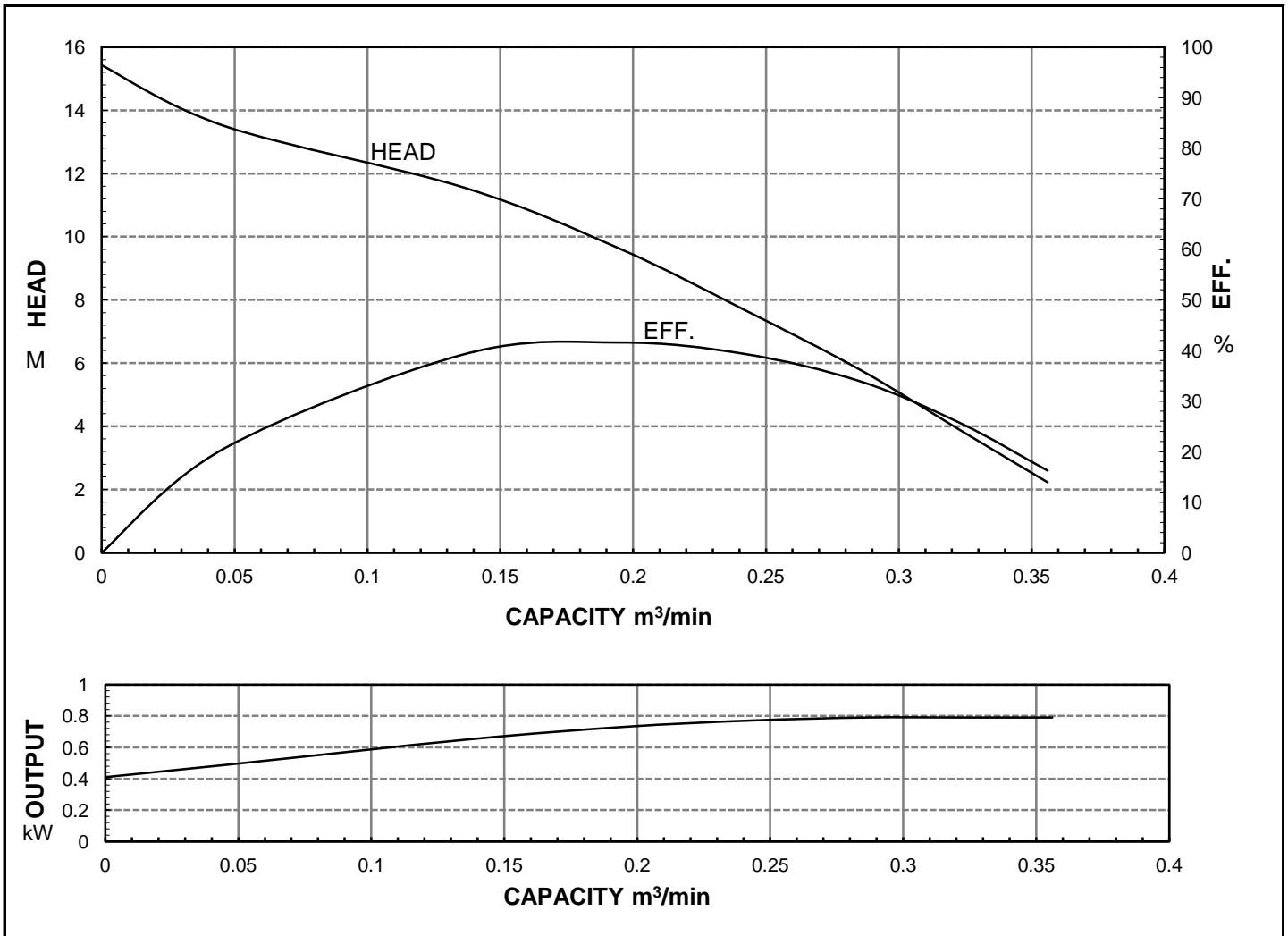


# HCP PUMP

FILE NO PC-M-E5-A211

## PUMP PERFORMANCE CURVES

MODEL	A-21					DATE:	2011.1	
	STANDARD SPECIFICATION					REFERENCE SPECIFICATION		
FREQUENCY	50 Hz							
DISCHARGE	2	inch	/	50	mm			
OUTPUT	1	HP	/	0.75	kW	HP	kW	
HEAD	10 M							
CAPACITY	0.18 m <sup>3</sup> /min							
PHASE/VOLTAGE	1	φ	220 V	230 V	240 V		φ	V
RATED CURRENT		5.4 A	5.2 A	5.0 A				A
POLE / R.P.M.	2	P	/	2800	R.P.M.			
START METHOD	DIRECT							
INSULATION CLASS	B							
REMARK								



HCP PUMP MANUFACTURER CO.,LTD.

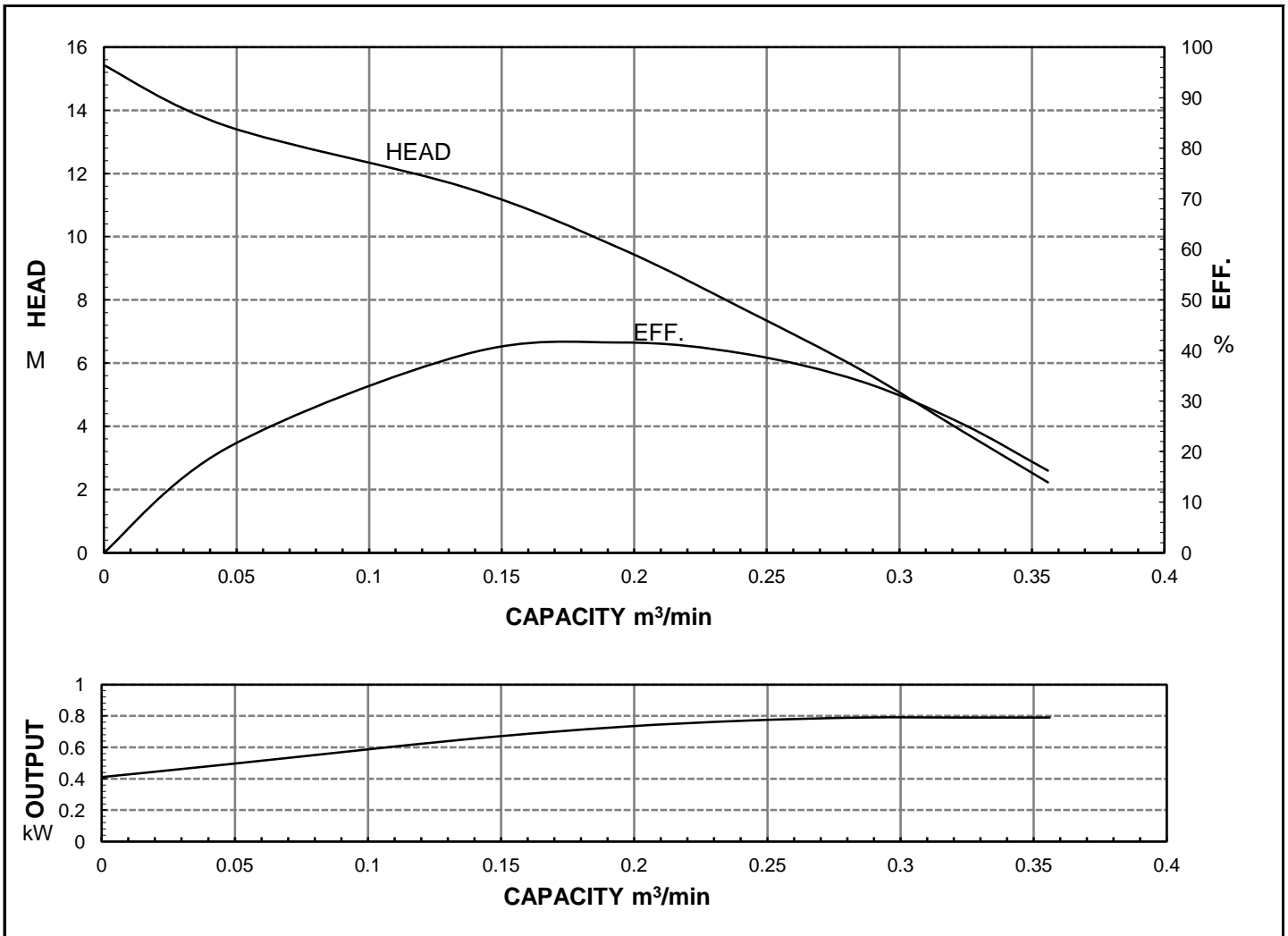


# HCP PUMP

FILE NO PC-M-E5-A213

## PUMP PERFORMANCE CURVES

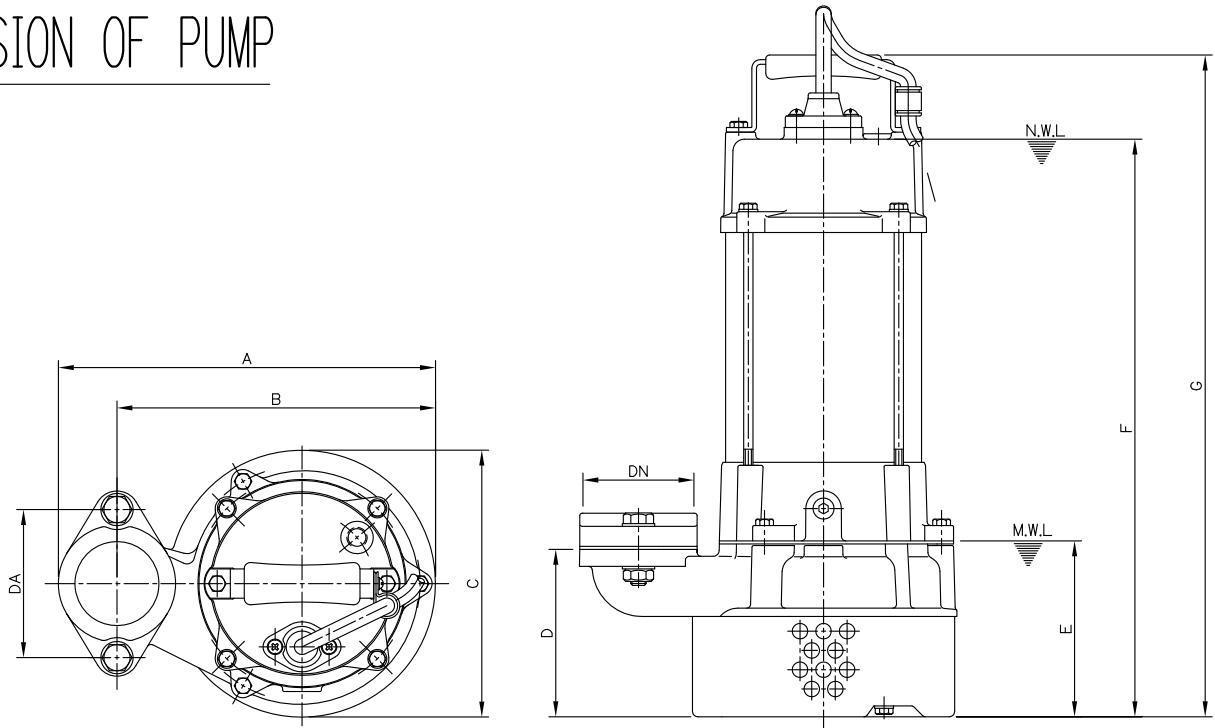
MODEL	A-21				DATE:	2011.1
	STANDARD SPECIFICATION				REFERENCE SPECIFICATION	
FREQUENCY	50 Hz					
DISCHARGE	2	inch	/	50	mm	
OUTPUT	1	HP	/	0.75	kW	HP      kW
HEAD	10 M					
CAPACITY	0.18 m <sup>3</sup> /min					
PHASE/VOLTAGE	3 $\phi$	230 V	380 V	400 V	415 V	$\phi$ V
RATED CURRENT		3.3 A	2.0 A	1.9 A	1.8 A	A
POLE / R.P.M.	2	P	/	2800	R.P.M.	
START METHOD	DIRECT					
INSULATION CLASS	B					
REMARK						



HCP PUMP MANUFACTURER CO.,LTD.

MODEL:A-05L;A-21

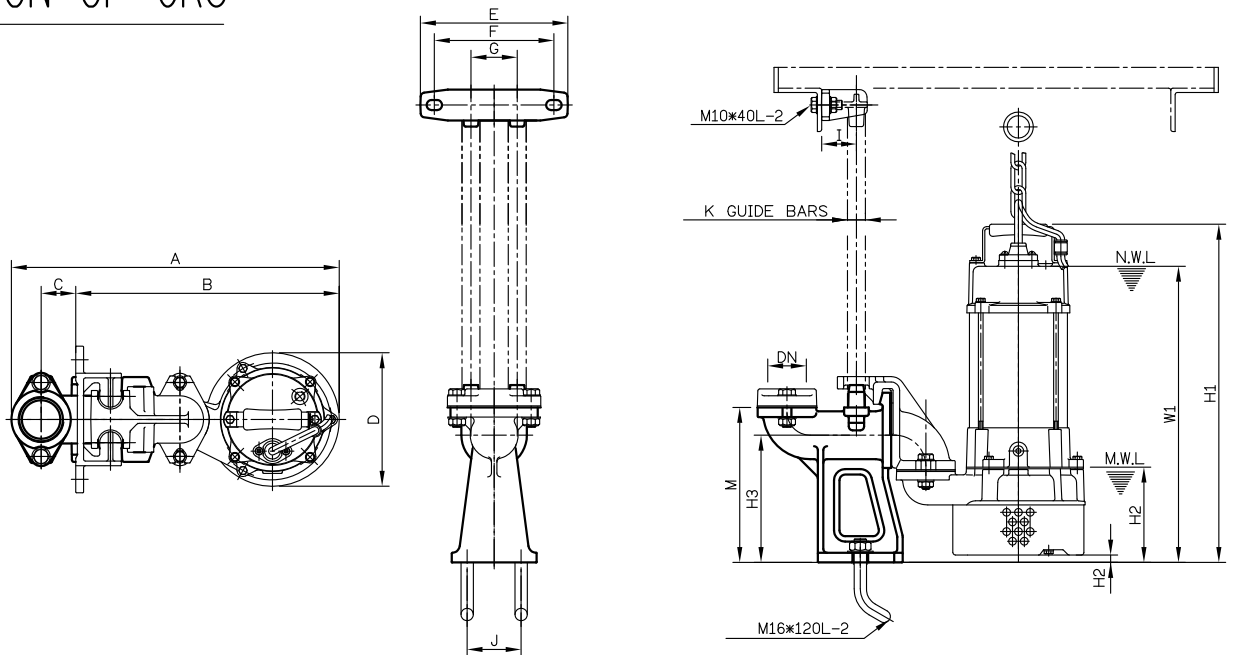
DIMENSION OF PUMP



Model	DN	DA	A	B	C	D	E	F	G
A-05L	50	84	245	207	173	109	100	375	430
A-21	50	84	245	207	173	109	100	375	430

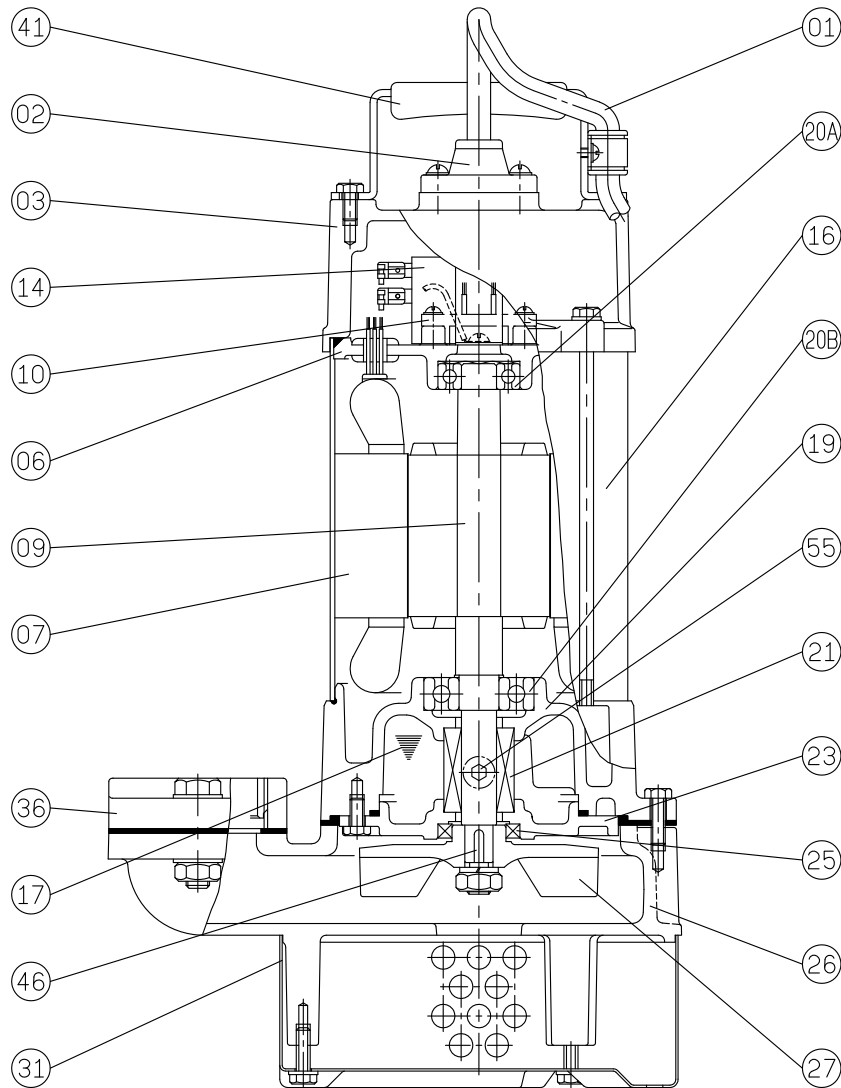
N.W.L.: Normal water level  
M.W.L.: Minimum water level

DIMENSION OF GRS



Model	DN	A	B	C	D	E	F	G	I	J	K	M	W1	W2	H1	H2	H3
A-05L	50	425	342	45	173	190	155	60	50	70	3/4"	201	385	110	439	9.5	165
A-21	50	425	342	45	173	190	155	60	50	70	3/4"	201	385	110	439	9.5	165

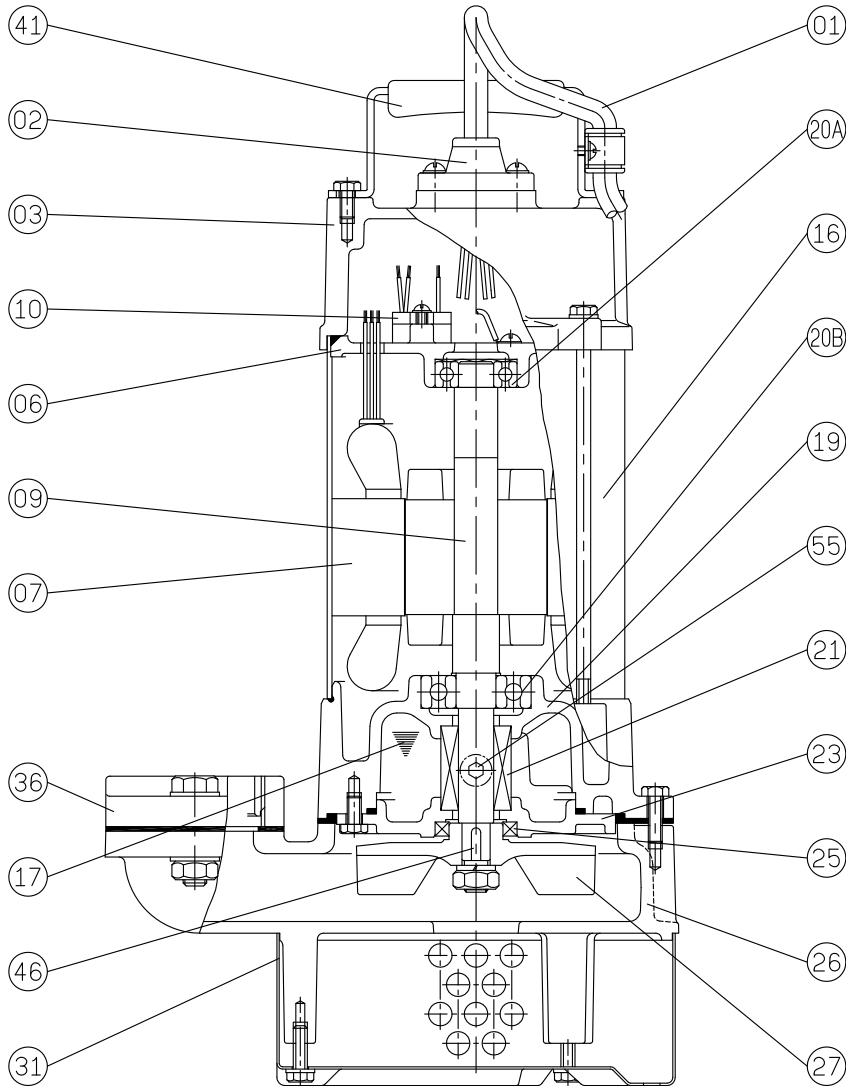
## MODEL:A-05L; A-21 1Ø



No.	Part name	Material	QTY	Remark
01	Cable		1	VCT/H07RN-F UL / CSA
02	Cable base	PC+PBT	1	
03	Upper cover	FC-200	1	
06	Bracket	FC-200	1	
07	Stator		1	
09	Shaft(with Rotor)	SUS410	1	
10	Auto-cut		1	
14	Capacitor		1	
16	Motor frame	SUS304	1	
17	Lubricant	Turbine oil #32	1	
19	Bearing bracket	FC-200	1	
20A	Upper bearing		1	
20B	Lower bearing		1	
21	M. seal	CA VS CE SIC VS SIC	1	

No.	Part name	Material	QTY	Remark
23	M. seal bracket	FC-200	1	
25	Oil seal	NBR	1	
26	Casing	FC-200	1	
27	Impeller	FC-200	1	
31	Strainer	SUS304	1	
41	Handle	SUS304	1	
46	Impeller key	SUS304	1	
47	Packing (1 set)		1	
55	Oil plug	SUS304	1	

MODEL: A-05L;A-21 3Ø



No.	Part name	Material	QTY	Remark
01	Cable		1	VCT/H07RN-F UL/CSA
02	Cable base	PC+PBT	1	
03	Upper cover	FC-200	1	
06	Bracket	FC-200	1	
07	Stator		1	
09	Shaft(with Rotor)	SUS410	1	
10	Auto-cut		1	
16	Motor frame	SUS304	1	
17	Lubricant	Turbine oil #32	1	
19	Bearing bracket	FC-200	1	
20A	Upper bearing		1	
20B	Lower bearing		1	
21	M. seal	CA VS CE SIC VS SIC	1	

No.	Part name	Material	QTY	Remark
23	M. seal bracket	FC-200	1	
25	Oil seal	NBR	1	
26	Casing	FC-200	1	
27	Impeller	FC-200	1	
31	Strainer	SUS304	1	
36	Flange	FC-200	1	
41	Handle	SUS304	1	
46	Impeller key	SUS304	1	
47	Packing (1 set)		1	
55	Oil plug	SUS304	1	