

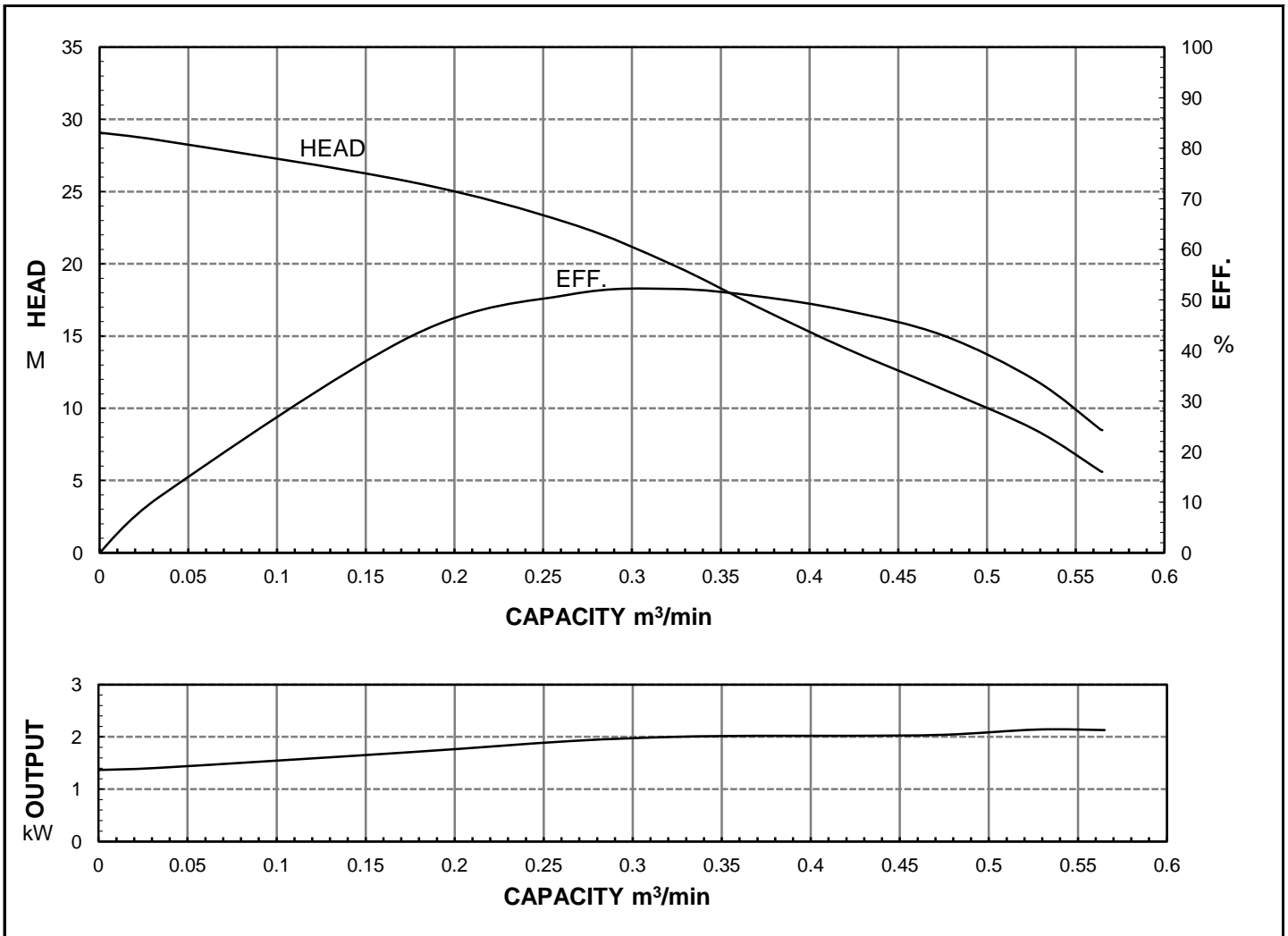


HCP PUMP

FILE NO PC-M-E5-A231

PUMP PERFORMANCE CURVES

MODEL	A-23					DATE:	2011.1	
	STANDARD SPECIFICATION					REFERENCE SPECIFICATION		
FREQUENCY	50				Hz			
DISCHARGE	2	inch	/	50	mm			
OUTPUT	3	HP	/	2.2	kW	HP	kW	
HEAD	24.5				M			
CAPACITY	0.2				m ³ /min			
PHASE/VOLTAGE	1	φ	220 V	230 V	240 V		φ	V
RATED CURRENT		15.0 A	14.6 A	14.4 A				A
POLE / R.P.M.	2	P	/	2850	R.P.M.			
START METHOD	DIRECT							
INSULATION CLASS	B							
REMARK								



HCP PUMP MANUFACTURER CO.,LTD.

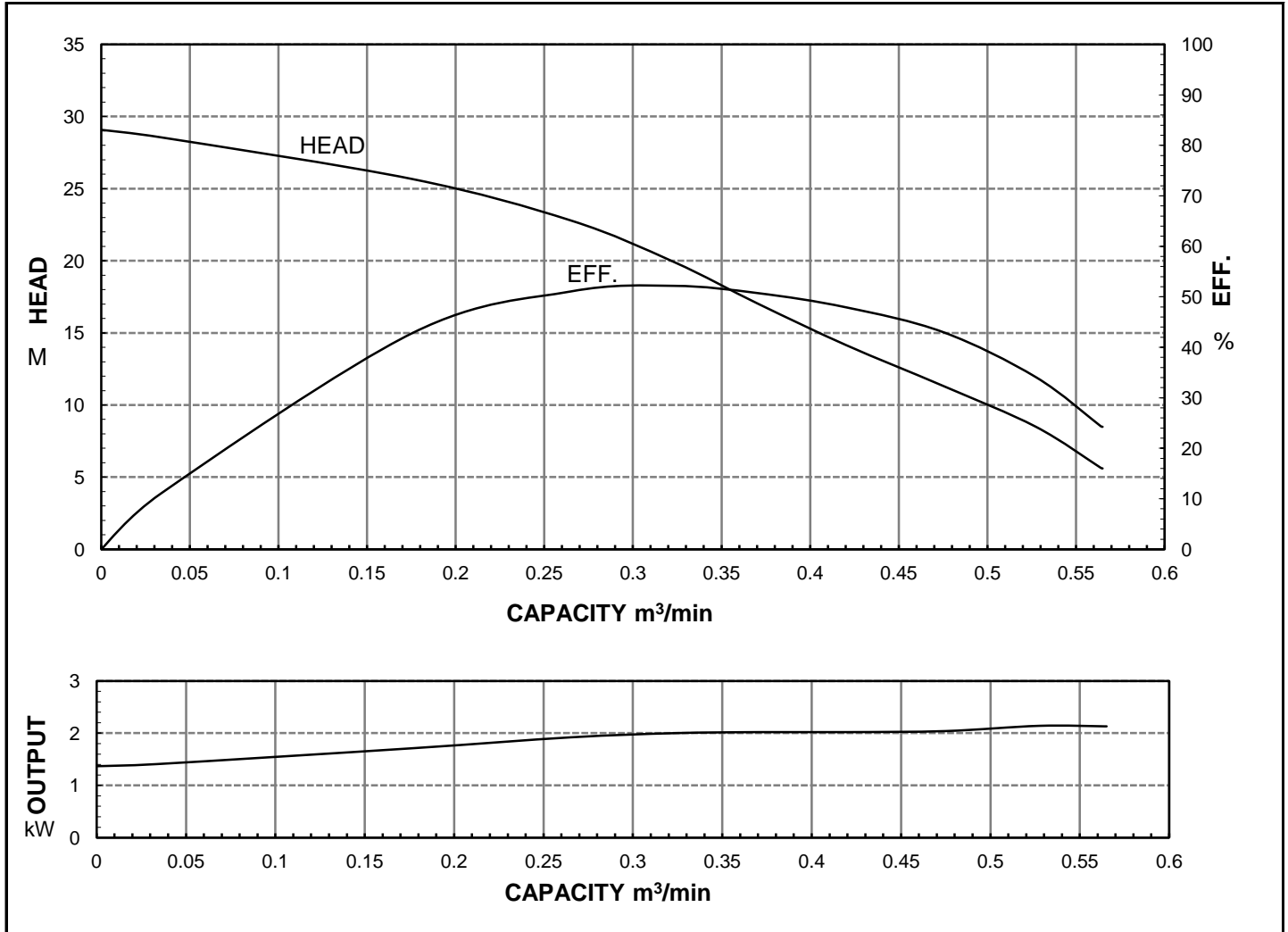


HCP PUMP

FILE NO PC-M-E5-A233

PUMP PERFORMANCE CURVES

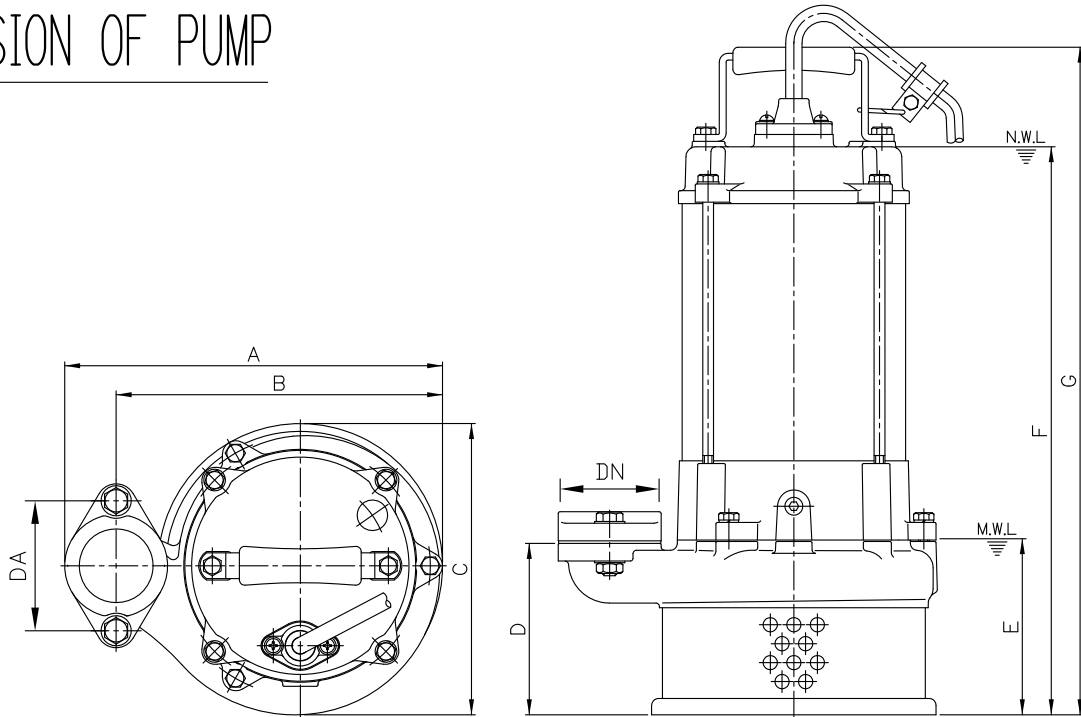
MODEL	A-23				DATE:	2011.1
	STANDARD SPECIFICATION				REFERENCE SPECIFICATION	
FREQUENCY	50			Hz		
DISCHARGE	2	inch	/	50	mm	
OUTPUT	3	HP	/	2.2	kW	HP kW
HEAD	24.5			M		
CAPACITY	0.2			m ³ /min		
PHASE/VOLTAGE	3 φ	230 V	380 V	400 V	415 V	φ V
RATED CURRENT		8.6 A	5.1 A	5.0 A	4.8 A	A
POLE / R.P.M.	2	P	/	2850	R.P.M.	
START METHOD	DIRECT					
INSULATION CLASS	B					
REMARK						



HCP PUMP MANUFACTURER CO.,LTD.

MODEL: A-23

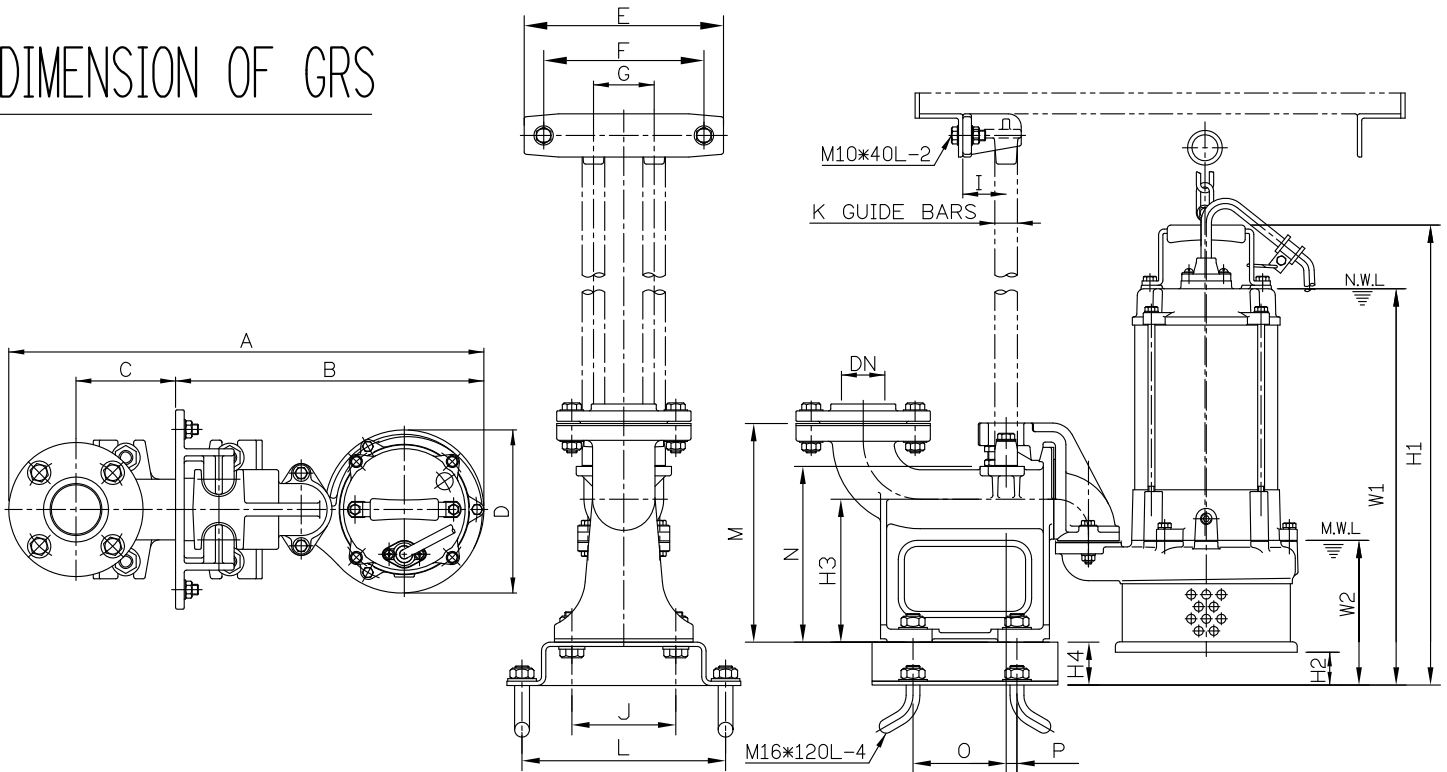
DIMENSION OF PUMP



Model	DN	DA	A	B	C	D	E	F	G
A-23	50	96	280	242	216	128	130	420(498)	493(572)

Remark: ()Dimensions in 1/8"
 N.W.L: Normal water level
 M.W.L: Minimum water level

DIMENSION OF GRS

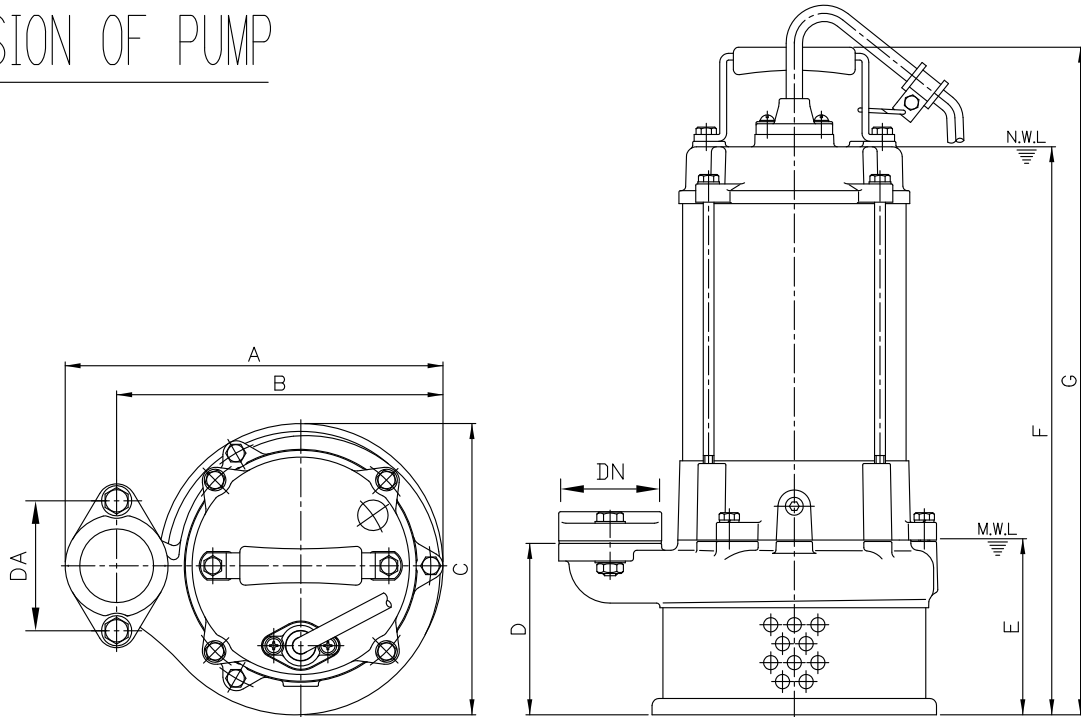


Model	DN	A	B	C	D	E	F	G	I	J	K	M	L	N	O	P	W1	W2	H1	H2	H3	*H4
A-23	50	580	387	115	216	230	185	70	50	120	1"	250	235	203	108	13	459(537)	169	532(611)	39	165	50

*Require extra 50mm thick pad to fit between GRS body and floor

MODEL: A-23

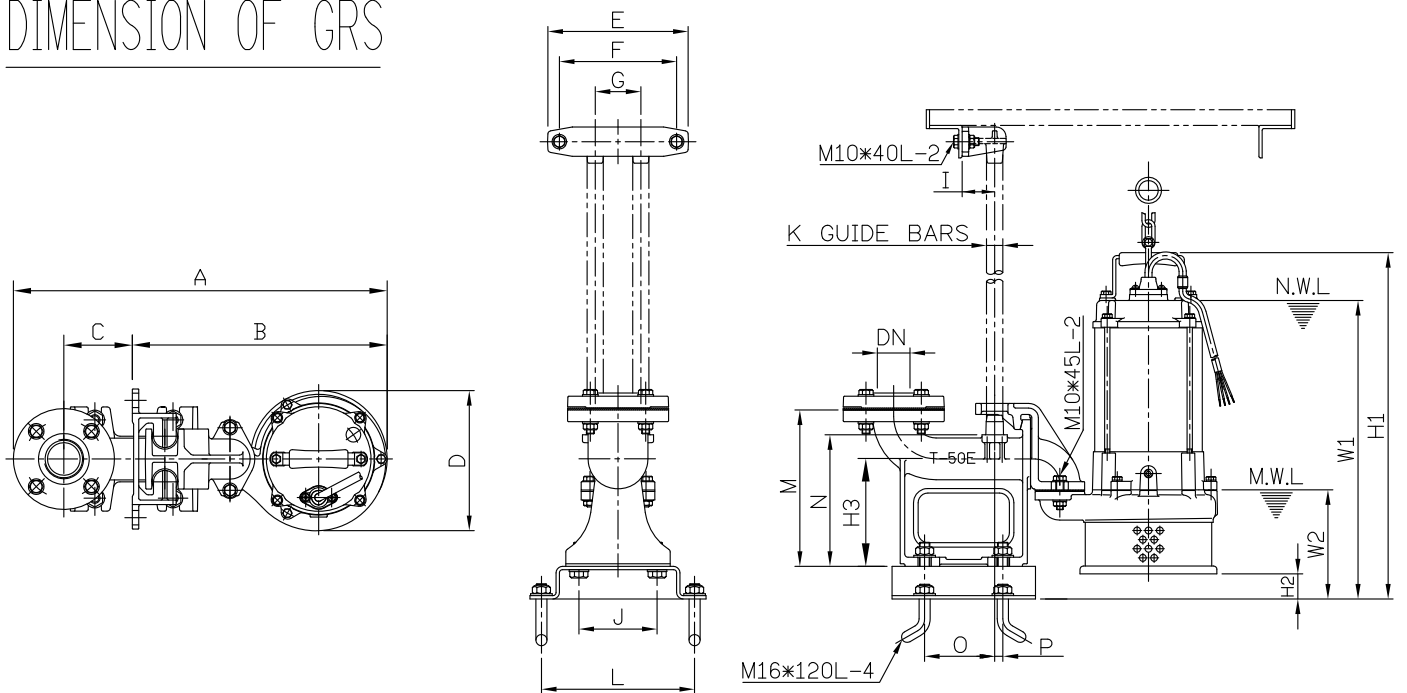
DIMENSION OF PUMP



Model	DN	DA	A	B	C	D	E	F	G
A-23	50	96	280	242	216	128	130	420(498)	493(572)

Remark: ()Dimensions in 1∅
 N.W.L: Normal water level
 M.W.L: Minimum water level

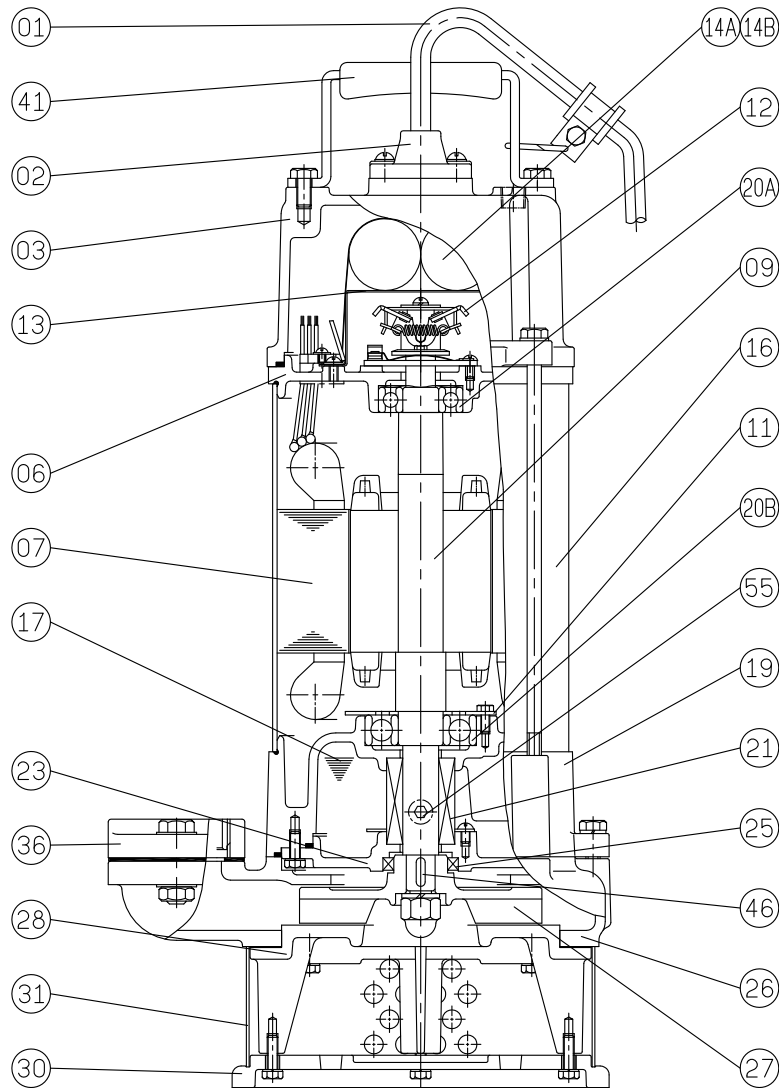
DIMENSION OF GRS



Model	DN	A	B	C	D	E	F	G	I	J	K	M	N	L	O	P	W1	W2	H1	H2	H3
A-23	50	574	391	105	216	215	180	70	50	120	1"	240	202	235	107.5	12.5	460(538)	170	524(602)	38	165

*Require extra 50mm thick pad to fit between GRS body and floor

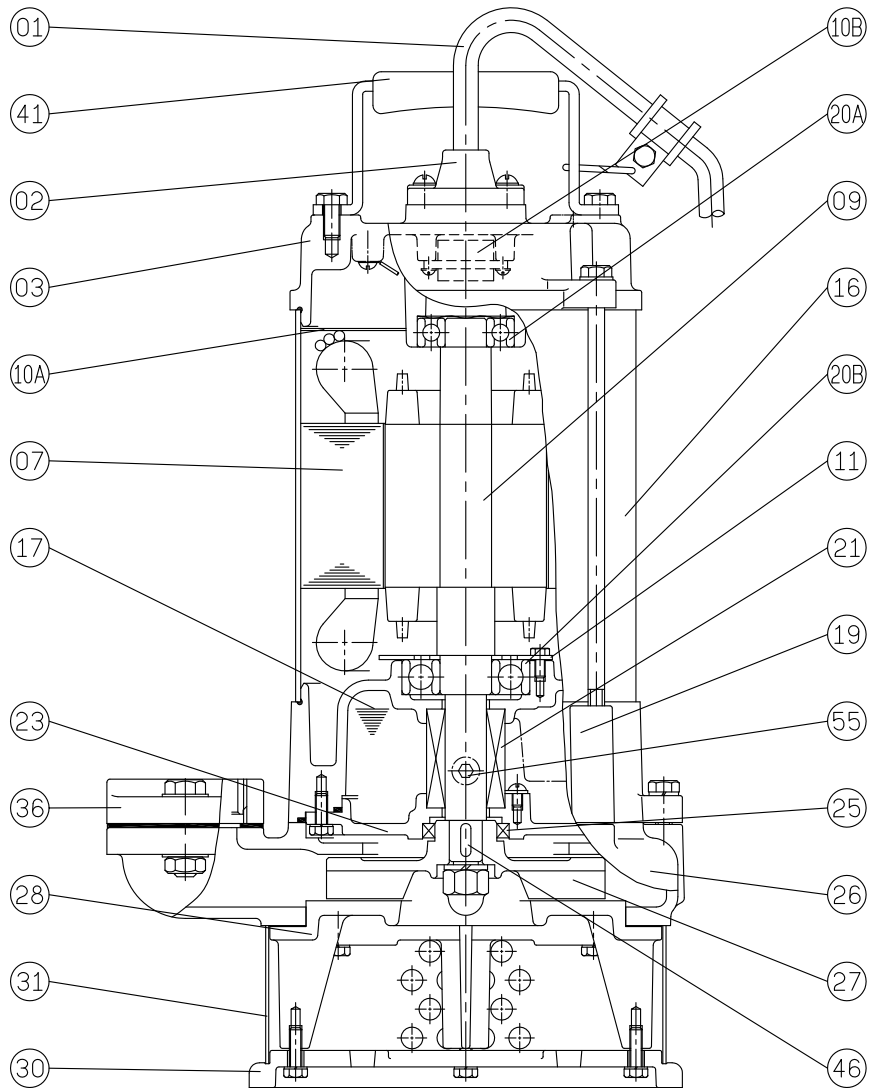
MODEL: A-23 1Ø



No.	Part name	Material	QTY	Remark
01	Cable		1	VCT/H07RN-F UL / CSA
02	Cable base	PC+PBT	1	
03	Upper cover	FC-200	1	
06	Bracket	FC-200	1	
07	Stator		1	
09	Shaft(with Rotor)	SUS403	1	
11	Bearing fixer	SS41	1	
12	Centrifugal switch		1	
13	Centrifugal switch cover		1	
14A	Capacitor		1	
14B	Start capacitor		1	
16	Motor frame	SUS304	1	
17	Lubricant	Turbine oil #32	1	
19	Bearing bracket	FC-200	1	
20A	Upper bearing		1	
20B	Lower bearing		1	
21	M. seal	CA VS CE SIC VS SIC	1	

No.	Part name	Material	QTY	Remark
23	M. seal bracket	FC-200	1	
25	Oil seal	NBR	1	
26	Casing	FC-200	1	
27	Impeller	FC-200	1	
28	Casing cover	FC-200	1	
30	Footing	FC-200	1	
31	Strainer	SUS304	1	
36	Flange	FC-200	1	
41	Handle	SS41	1	
46	Impeller key	SUS304	1	
47	Packing (1 set)		1	
55	Oil plug	SUS304	1	

MODEL: A-23 3Ø



No.	Part name	Material	QTY	Remark
01	Cable		1	VCT/H07RN-F UL / CSA
02	Cable base	PC+PBT	1	
03	Upper cover	FC-200	1	
07	Stator		1	
09	Shaft(with Rotor)	SUS403	1	
10A	Auto-cut		1	
10B	Auto-cut plate		1	
11	Bearing fixer	SS41	1	
16	Motor frame	SUS304	1	
17	Lubricant	Turbine oil #32	1	
19	Bearing bracket	FC-200	1	
20A	Upper bearing		1	
20B	Lower bearing		1	
21	M. seal	CA VS CE SIC VS SIC	1	
23	M. seal bracket	FC-200	1	

No.	Part name	Material	QTY	Remark
25	Oil seal	NBR	1	
26	Casing	FC-200	1	
27	Impeller	FC-200	1	
28	Casing cover	FC-200	1	
30	Footing	FC-200	1	
31	Strainer	SUS304	1	
36	Flange	FC-200	1	
41	Handle	SS41	1	
46	Impeller key	SUS304	1	
47	Packing (1 set)		1	
55	Oil plug	SUS304	1	