

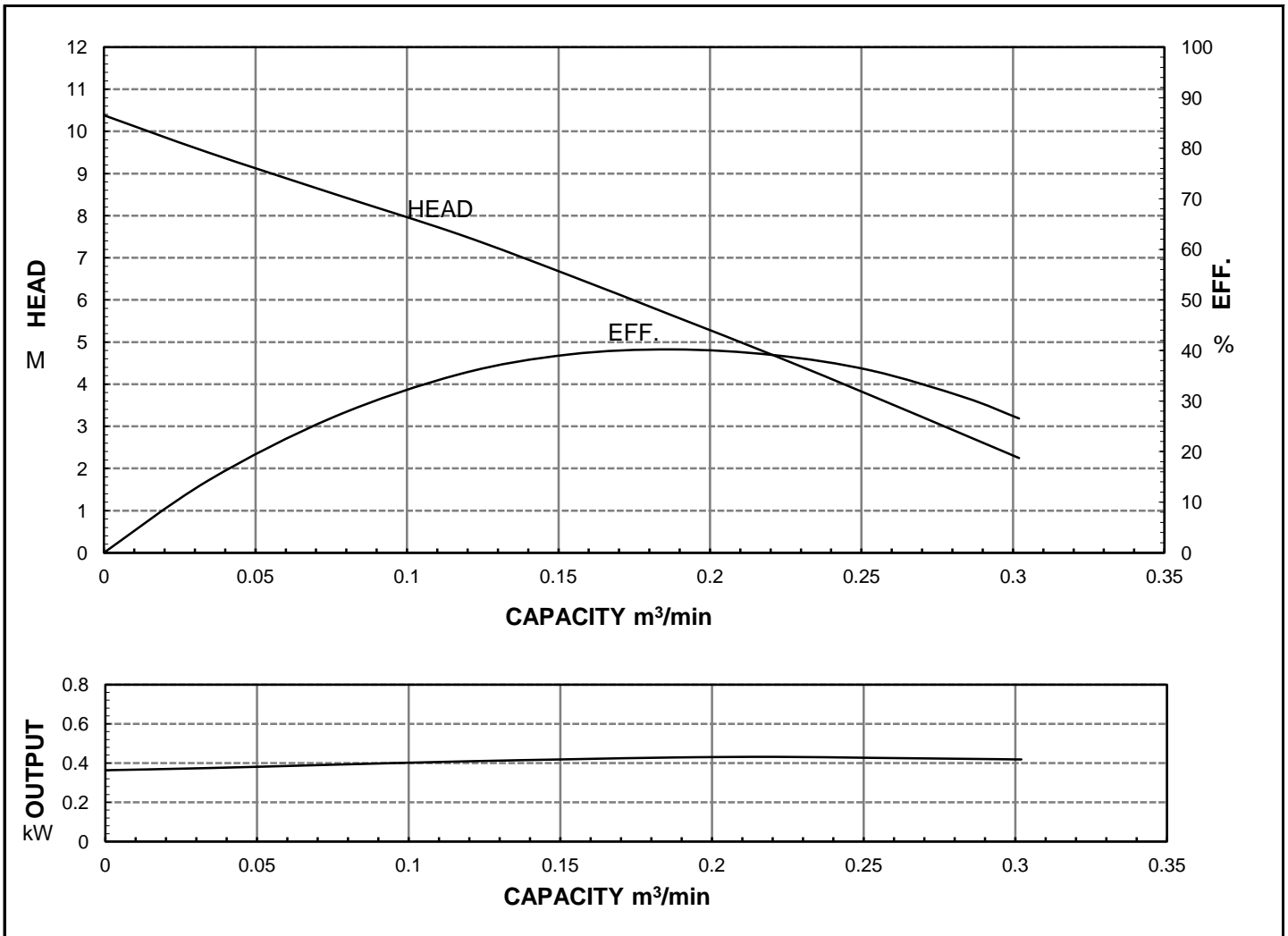


HCP PUMP

FILE NO PC-M-E5-F05P1

PUMP PERFORMANCE CURVES

MODEL	F-05P					DATE:	2011.12	
	STANDARD SPECIFICATION					REFERENCE SPECIFICATION		
FREQUENCY	50 Hz							
DISCHARGE	2	inch	/	50	mm			
OUTPUT	0.5	HP	/	0.4	kW	HP	kW	
HEAD	5.5 M							
CAPACITY	0.2 m ³ /min							
PHASE/VOLTAGE	1 ϕ	220 V	230 V	240 V			ϕ	V
RATED CURRENT		3.1 A	3.0 A	2.9 A				A
POLE / R.P.M.	2	P	/	2780	R.P.M.			
START METHOD	DIRECT							
INSULATION CLASS	B							
REMARK								



HCP PUMP MANUFACTURER CO.,LTD.

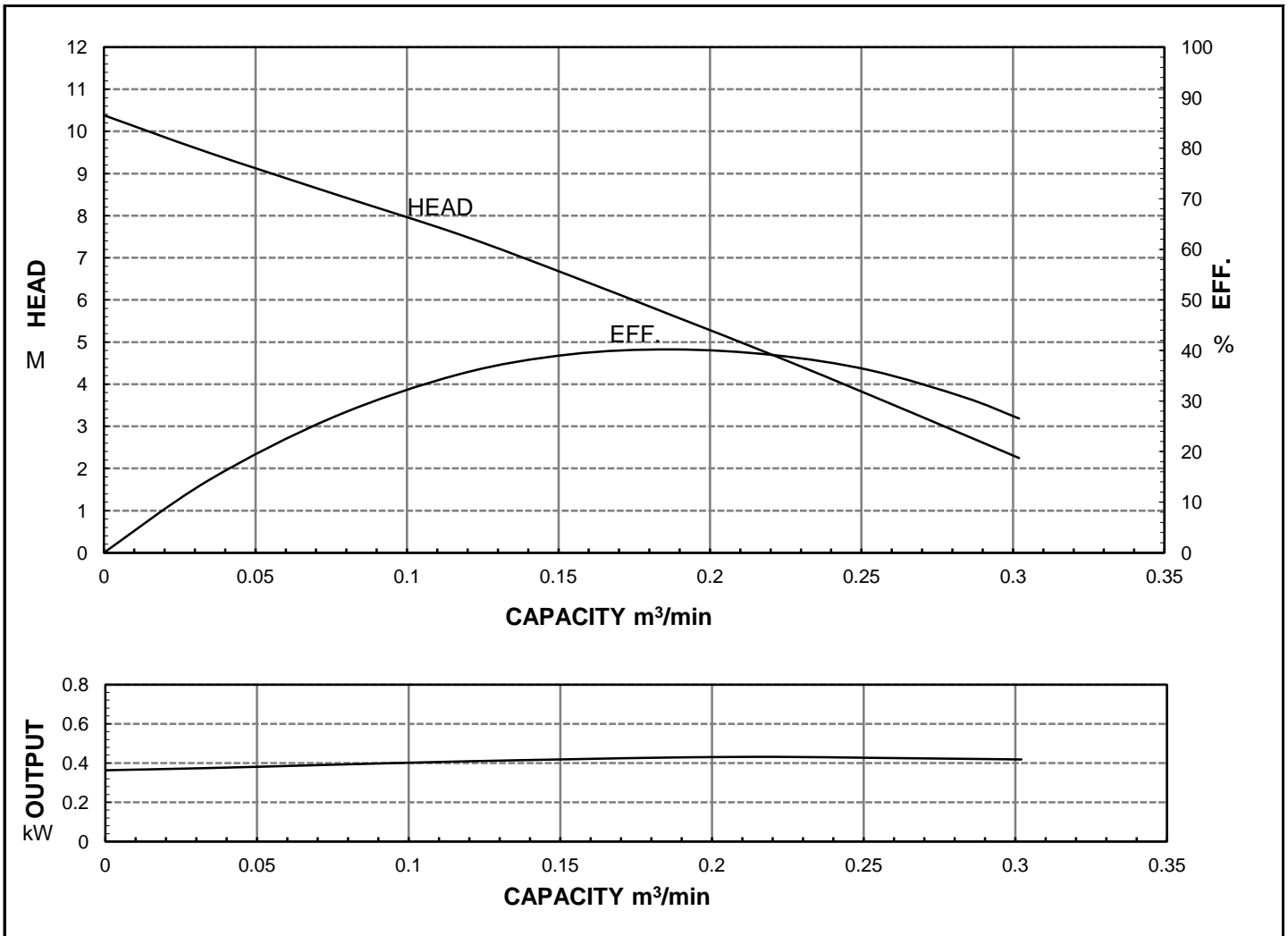


HCP PUMP

FILE NO PC-M-E5-F05P3

PUMP PERFORMANCE CURVES

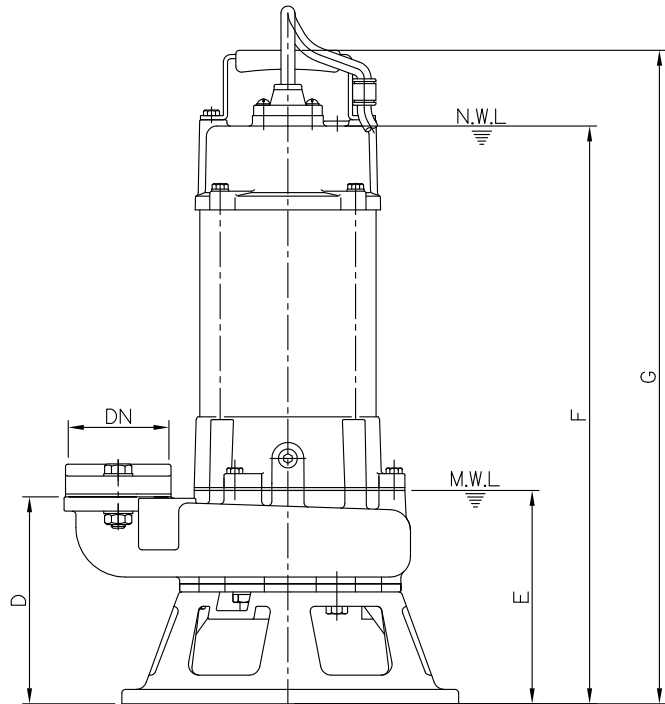
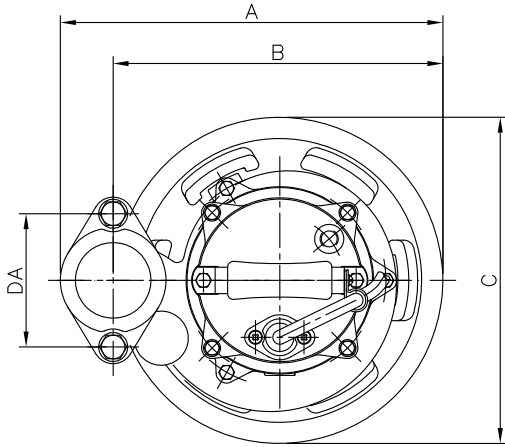
MODEL	F-05P				DATE:	2011.12
	STANDARD SPECIFICATION				REFERENCE SPECIFICATION	
FREQUENCY	50			Hz		
DISCHARGE	2	inch	/	50	mm	
OUTPUT	0.5	HP	/	0.4	kW	HP kW
HEAD	5.5			M		
CAPACITY	0.2			m ³ /min		
PHASE/VOLTAGE	3 φ	230 V	380 V	400 V	415 V	φ V
RATED CURRENT		2.3 A	1.4 A	1.3 A	1.3 A	A
POLE / R.P.M.	2	P	/	2780	R.P.M.	
START METHOD	DIRECT					
INSULATION CLASS	B					
REMARK						



HCP PUMP MANUFACTURER CO.,LTD.

MODEL:F-05P(50Hz); F-21P

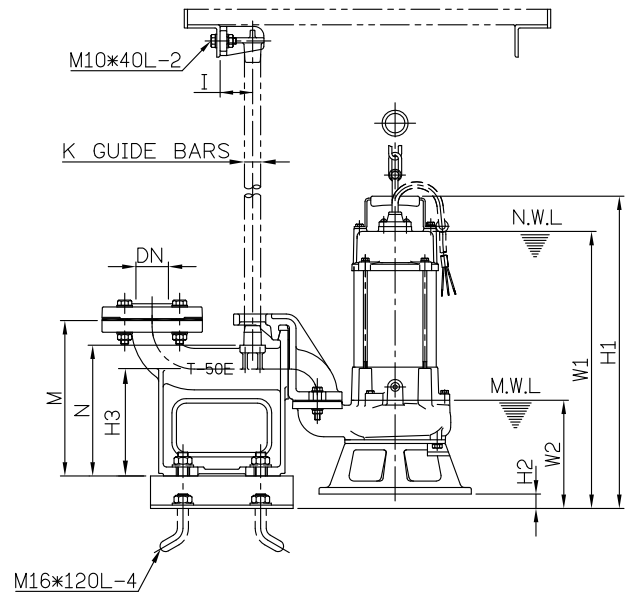
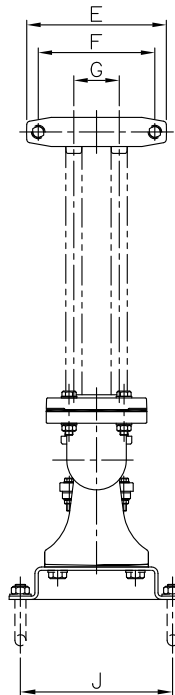
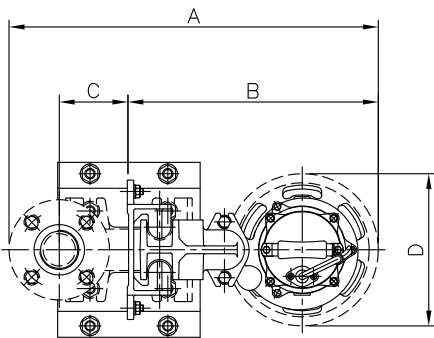
DIMENSION OF PUMP



Model	DN	DA	A	B	C	D	E	F	G
F-05P	50	96	276	238	235	143	145	406	460
F-21P	50	96	276	238	235	143	145	406	460

N.W.L: Normal water level
M.W.L: Minimum water level

DIMENSION OF GRS



Model	DN	A	B	C	D	E	F	G	I	J	K	M	N	W1	W2	H1	H2	H3
F-05P	50	571	388	105	235	215	180	70	50	235	1"	240	202	428	167	482	22	165
F-21P	50	571	388	105	235	215	180	70	50	235	1"	240	202	428	167	482	22	165

Note: When F-05P,F-21P used with GRS,
the base foot needs to be dismantled.



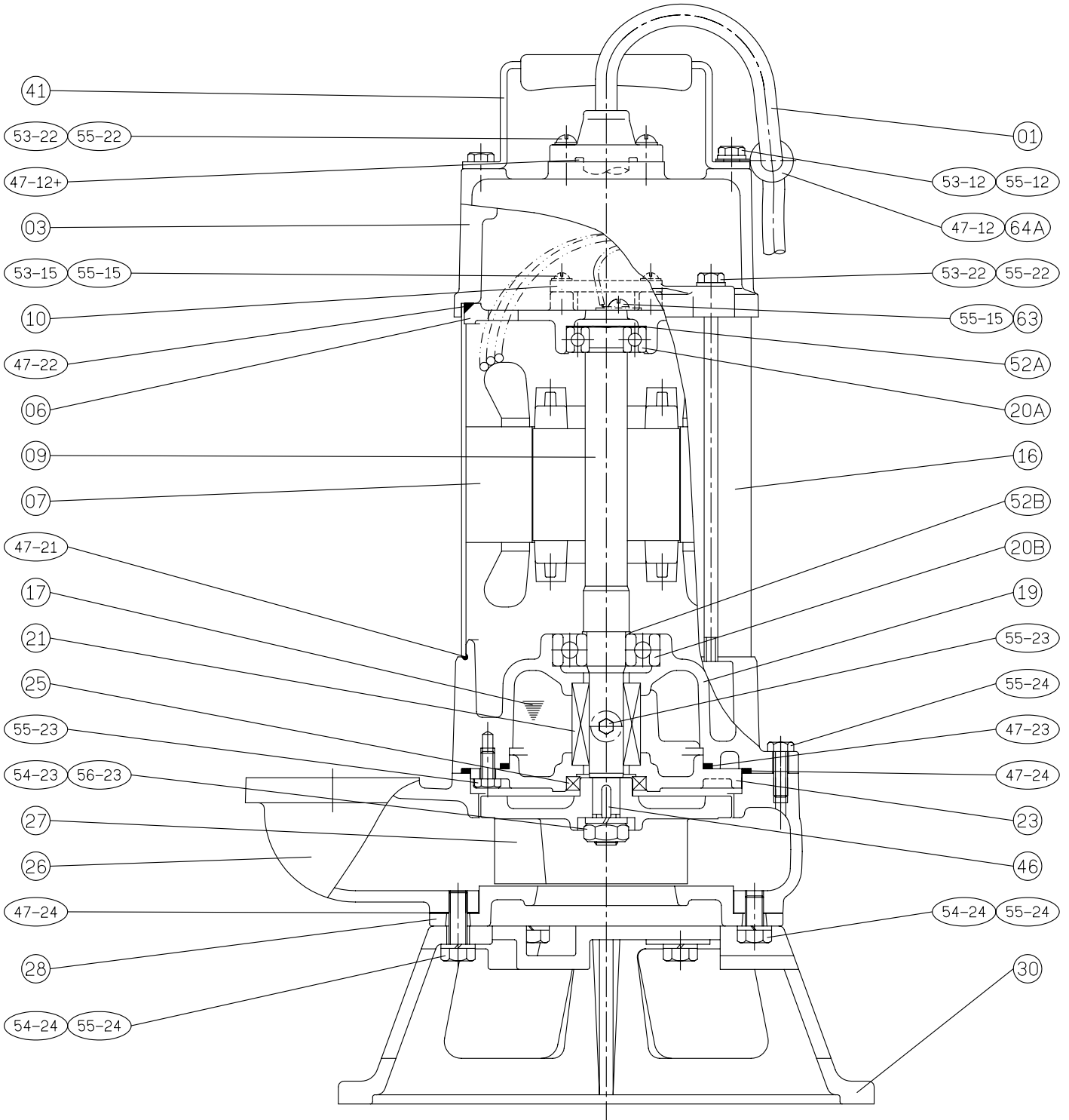
PUMP

SECTIONAL DRAWING

A2F0P208030-00

DATE:2011-06

MODEL: F-05P,F-21P 3Ø





PUMP

SECTIONAL DRAWING

A2F0P208030-00

DATE:2011-06

MODEL: F-05P,F-21P 3Ø

