

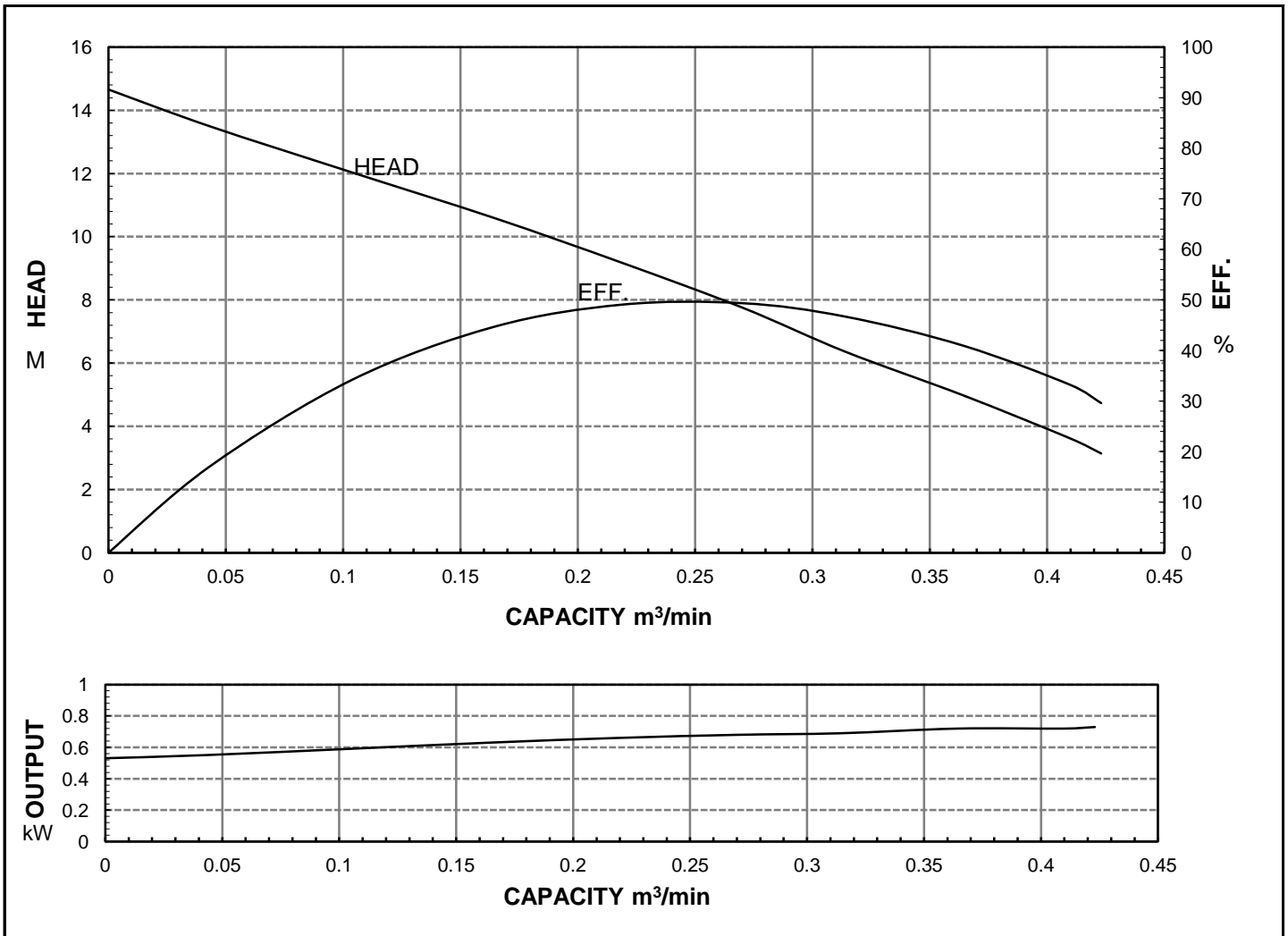


HCP PUMP

FILE NO PC-M-E5-F21P1

PUMP PERFORMANCE CURVES

MODEL	F-21P					DATE:	2011.12	
	STANDARD SPECIFICATION					REFERENCE SPECIFICATION		
FREQUENCY	50 Hz							
DISCHARGE	2	inch	/	50	mm			
OUTPUT	1	HP	/	0.75	kW	HP	kW	
HEAD	9 M							
CAPACITY	0.2 m ³ /min							
PHASE/VOLTAGE	1	φ	220 V	230 V	240 V		φ	V
RATED CURRENT		5.4 A	5.2 A	5.0 A				A
POLE / R.P.M.	2	P	/	2800	R.P.M.			
START METHOD	DIRECT							
INSULATION CLASS	B							
REMARK								



HCP PUMP MANUFACTURER CO.,LTD.

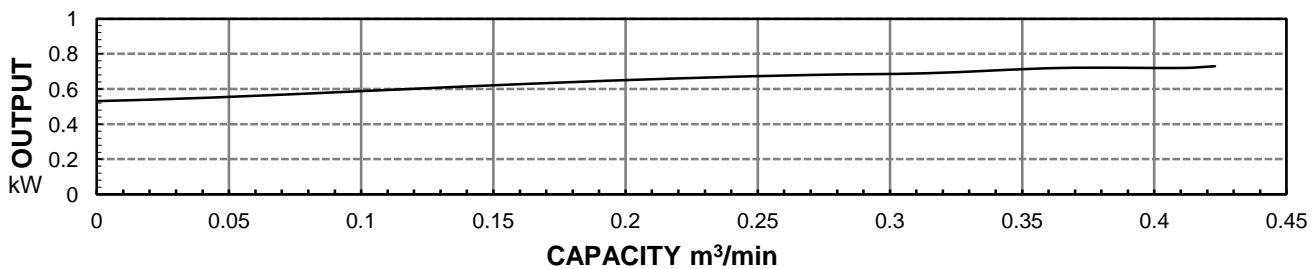
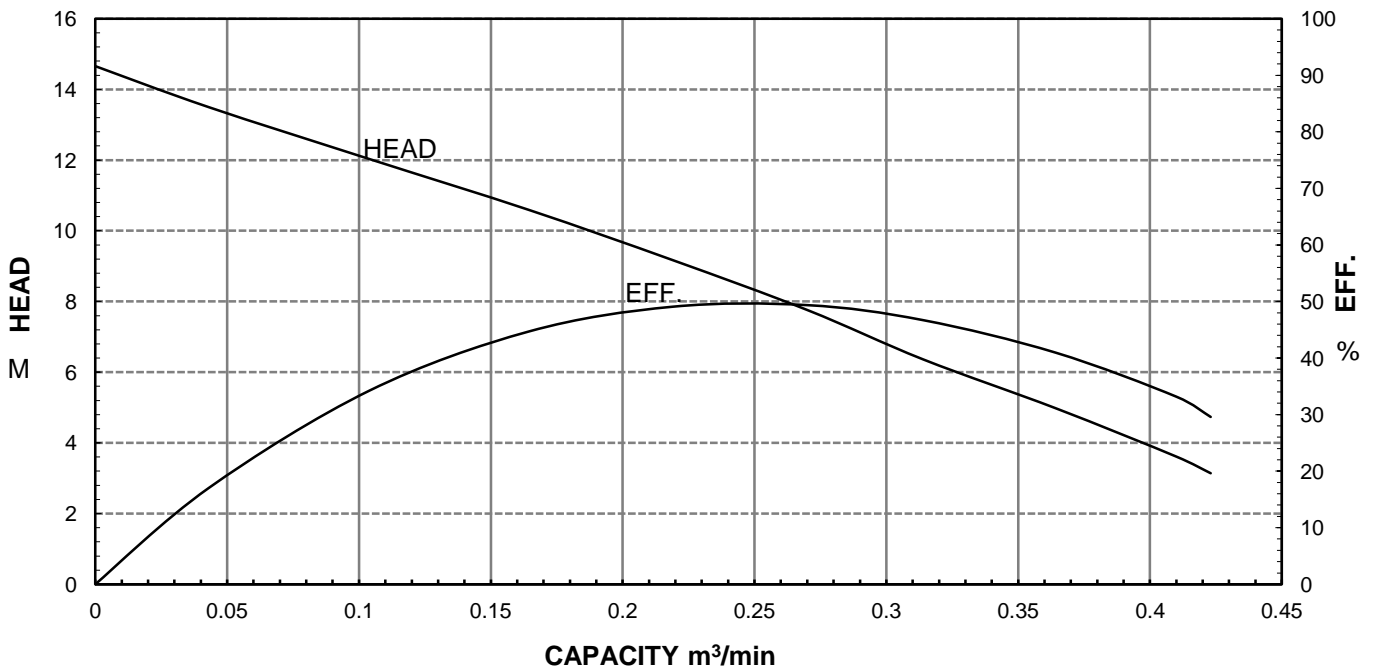


HCP PUMP

FILE NO PC-M-E5-F21P3

PUMP PERFORMANCE CURVES

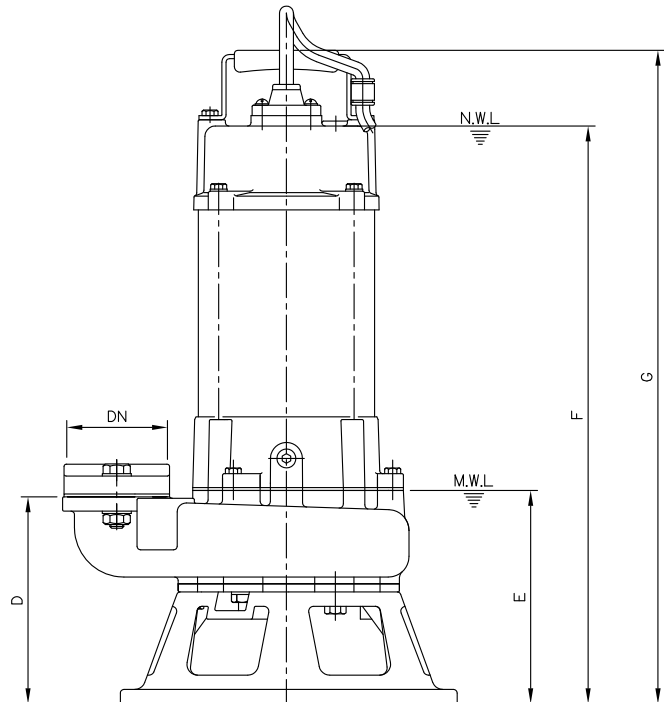
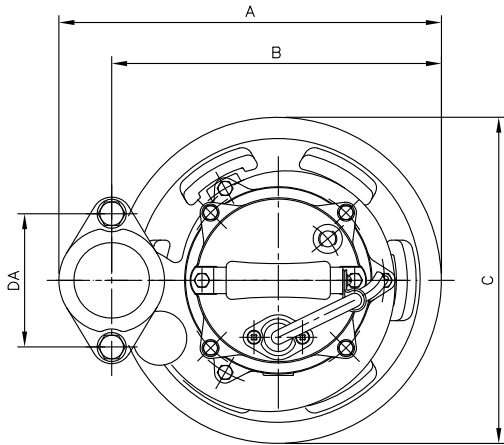
MODEL	F-21P				DATE:	2011.12
	STANDARD SPECIFICATION				REFERENCE SPECIFICATION	
FREQUENCY	50			Hz		
DISCHARGE	2	inch	/	50	mm	
OUTPUT	1	HP	/	0.75	kW	HP kW
HEAD	9			M		
CAPACITY	0.2			m ³ /min		
PHASE/VOLTAGE	3 φ	230 V	380 V	400 V	415 V	φ V
RATED CURRENT		3.3 A	2.0 A	1.9 A	1.8 A	A
POLE / R.P.M.	2	P	/	2800	R.P.M.	
START METHOD	DIRECT					
INSULATION CLASS	B					
REMARK						



HCP PUMP MANUFACTURER CO.,LTD.

MODEL:F-05P(50Hz); F-21P

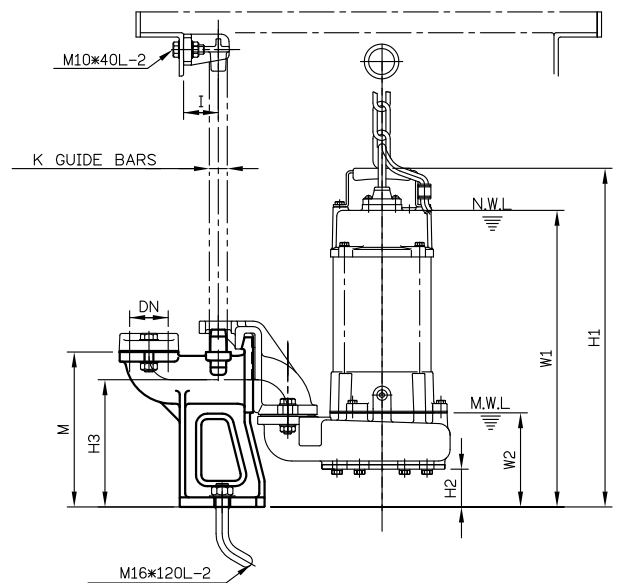
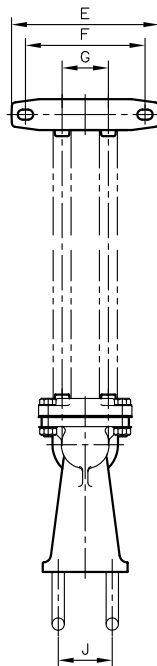
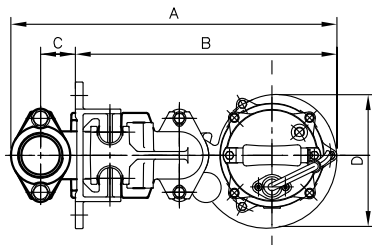
DIMENSION OF PUMP



Model	DN	DA	A	B	C	D	E	F	G
F-05P	50	96	276	238	235	143	145	406	460
F-21P	50	96	276	238	235	143	145	406	460

N.W.L: Normal water level
M.W.L: Minimum water level

DIMENSION OF GRS

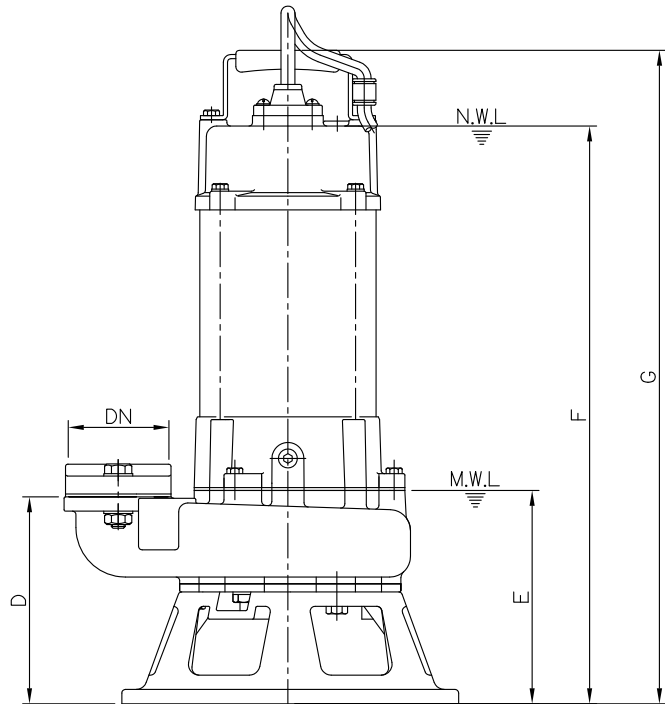
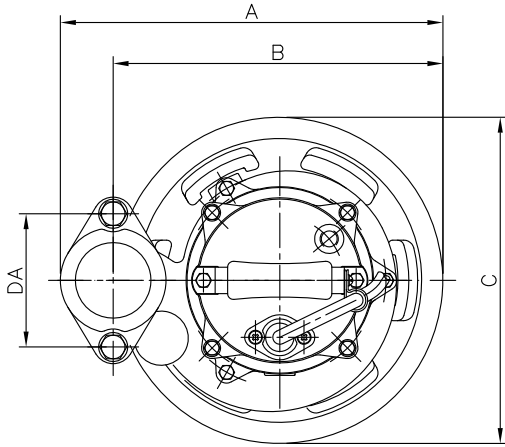


Model	DN	A	B	C	D	E	F	G	I	J	K	M	W1	W2	H1	H2	H3
F-05P	50	425	341	45	173	190	155	60	50	60	3/4	201	381	110	435	53	165
F-21P	50	425	341	45	173	190	155	60	50	60	3/4	201	381	110	435	53	165

Note: When F-05P,F-21P used with GRS,
the base foot needs to be dismantled.

MODEL:F-05P(50Hz); F-21P

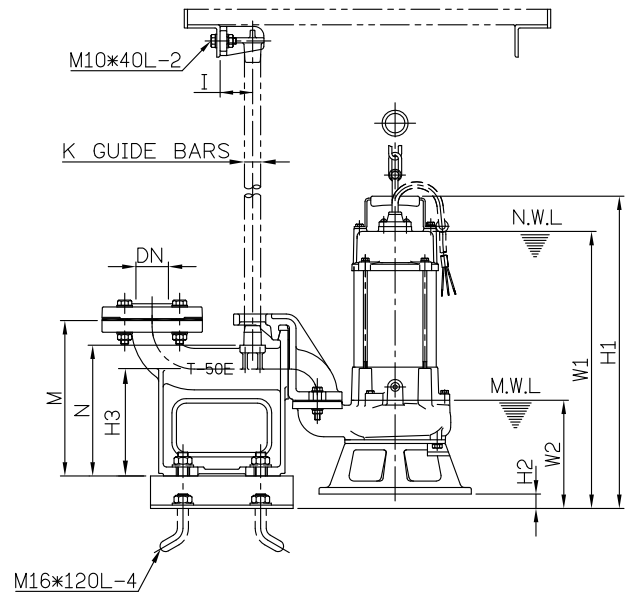
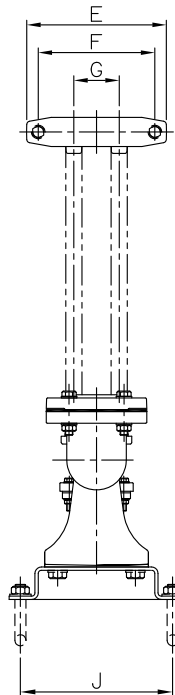
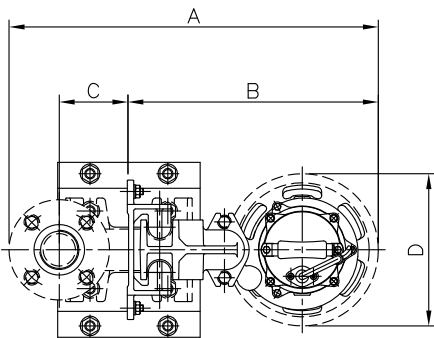
DIMENSION OF PUMP



Model	DN	DA	A	B	C	D	E	F	G
F-05P	50	96	276	238	235	143	145	406	460
F-21P	50	96	276	238	235	143	145	406	460

N.W.L: Normal water level
M.W.L: Minimum water level

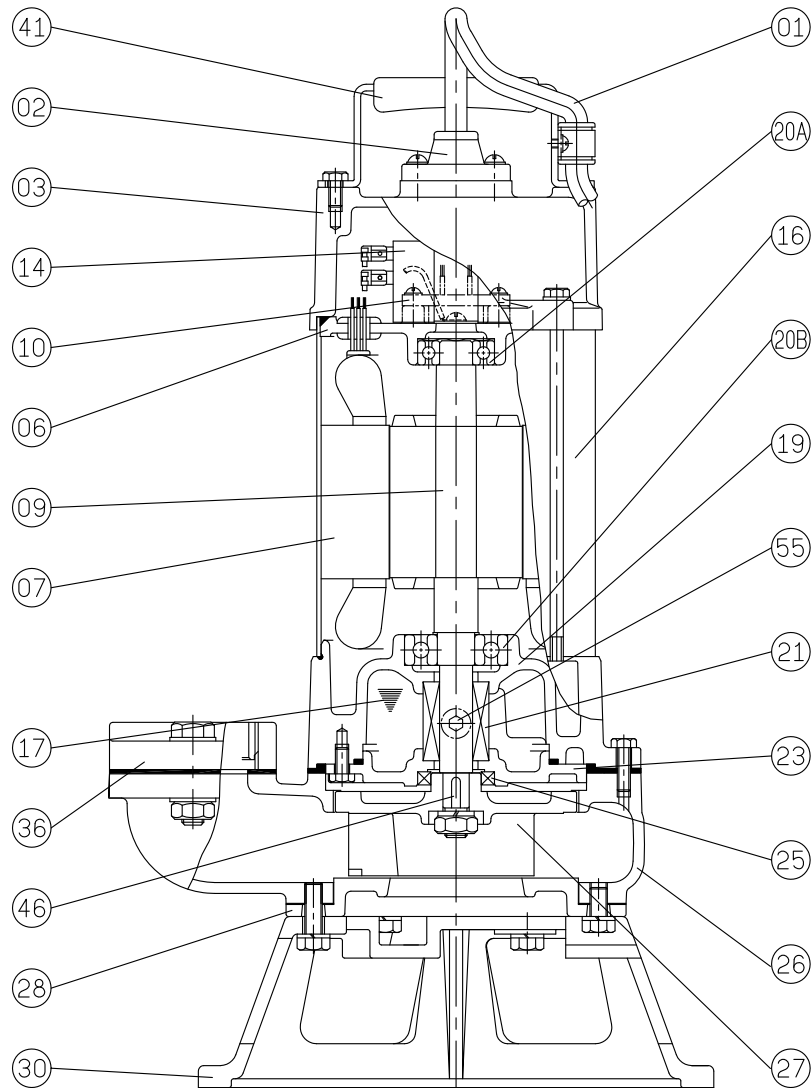
DIMENSION OF GRS



Model	DN	A	B	C	D	E	F	G	I	J	K	M	N	W1	W2	H1	H2	H3
F-05P	50	571	388	105	235	215	180	70	50	235	1"	240	202	428	167	482	22	165
F-21P	50	571	388	105	235	215	180	70	50	235	1"	240	202	428	167	482	22	165

Note: When F-05P,F-21P used with GRS,
the base foot needs to be dismantled.

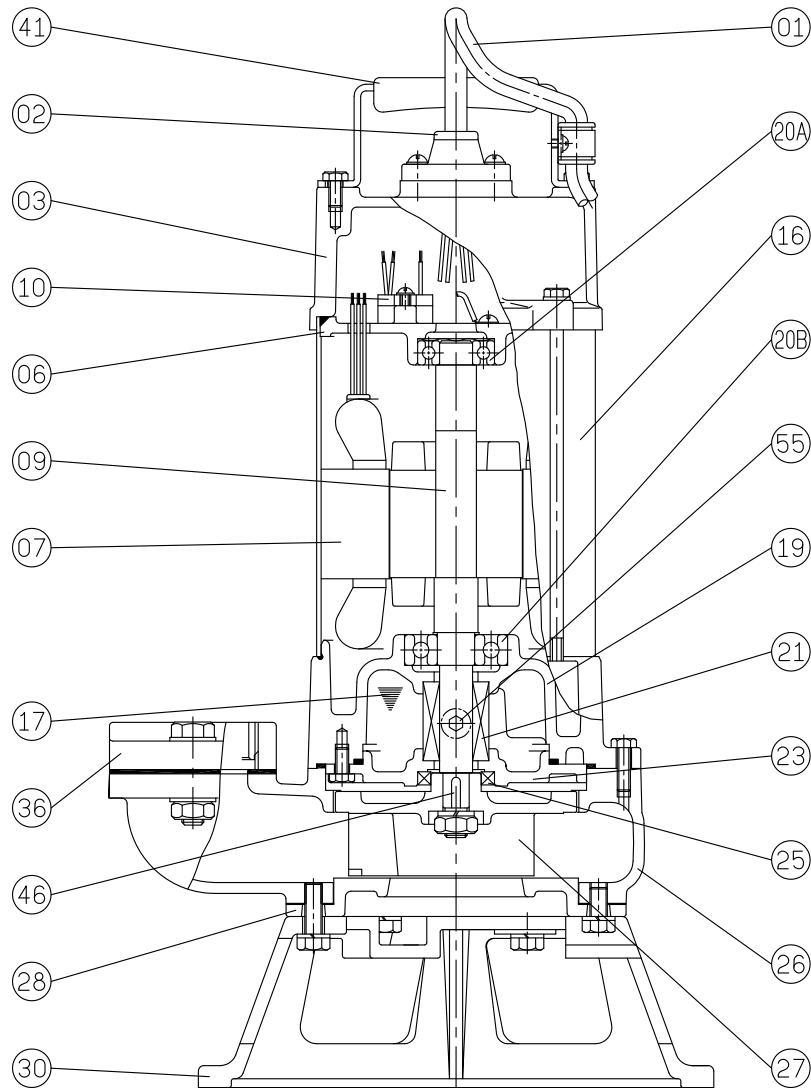
MODEL: F-21P 1Ø



No.	Part name	Material	QTY	Remark
01	Cable		1	VCT/H07RN-F UL / CSA
02	Cable base	PC+PBT	1	
03	Upper cover	FC-200	1	
06	Bracket	FC-200	1	
07	Stator		1	
09	Shaft(with Rotor)	SUS410	1	
10	Auto-cut		1	
14	Capacitor		1	
16	Motor frame	SUS304	1	
17	Lubricant	Turbine oil #32	1	
19	Bearing bracket	FC-200	1	
20A	Upper bearing		1	
20B	Lower bearing		1	
21	M. seal	CA VS CE SIC VS SIC	1	

No.	Part name	Material	QTY	Remark
23	M. seal bracket	FC-200	1	
25	Oil seal	NBR	1	
26	Casing	FC-200	1	
27	Impeller	FC-200	1	
28	Casing cover	FC-200	1	
30	Footing	FCD450	1	
36	Flange	FC-200	1	
41	Handle	SUS304	1	
46	Impeller key	SUS304	1	
47	Packing (1 set)		1	
55	Oil plug	SUS304	1	

MODEL: F-21P 3Ø



No.	Part name	Material	QTY	Remark
01	Cable		1	VCT/ H07RN-F UL / CSA
02	Cable base	PC+PBT	1	
03	Upper cover	FC-200	1	
06	Bracket	FC-200	1	
07	Stator		1	
09	Shaft(with Rotor)	SUS410	1	
10	Auto-cut		1	
16	Motor frame	SUS304	1	
17	Lubricant	Turbine oil #32	1	
19	Bearing bracket	FC-200	1	
20A	Upper bearing		1	
20B	Lower bearing		1	
21	M. seal	CA VS CE SIC VS SIC	1	
23	M. seal bracket	FC-200	1	

No.	Part name	Material	QTY	Remark
25	Oil seal	NBR	1	
26	Casing	FC-200	1	
27	Impeller	FC-200	1	
28	Casing cover	FC-200	1	
30	Footing	FCD450	1	
36	Flange	FC-200	1	
41	Handle	SUS304	1	
46	Impeller key	SUS304	1	
47	Packing (1 set)		1	
55	Oil plug	SUS304	1	