

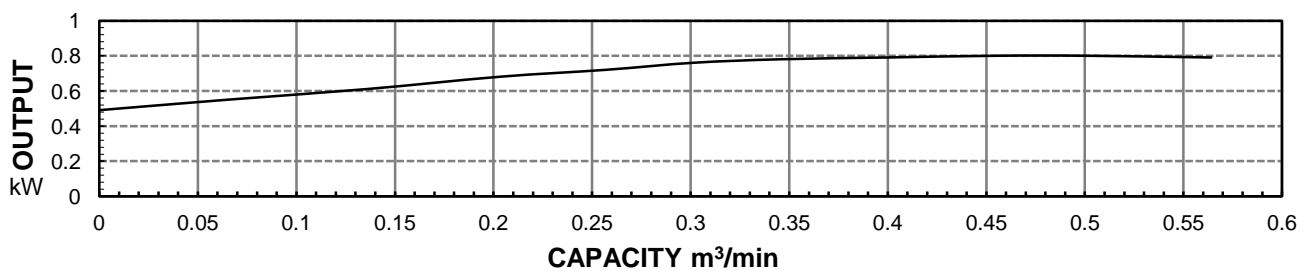
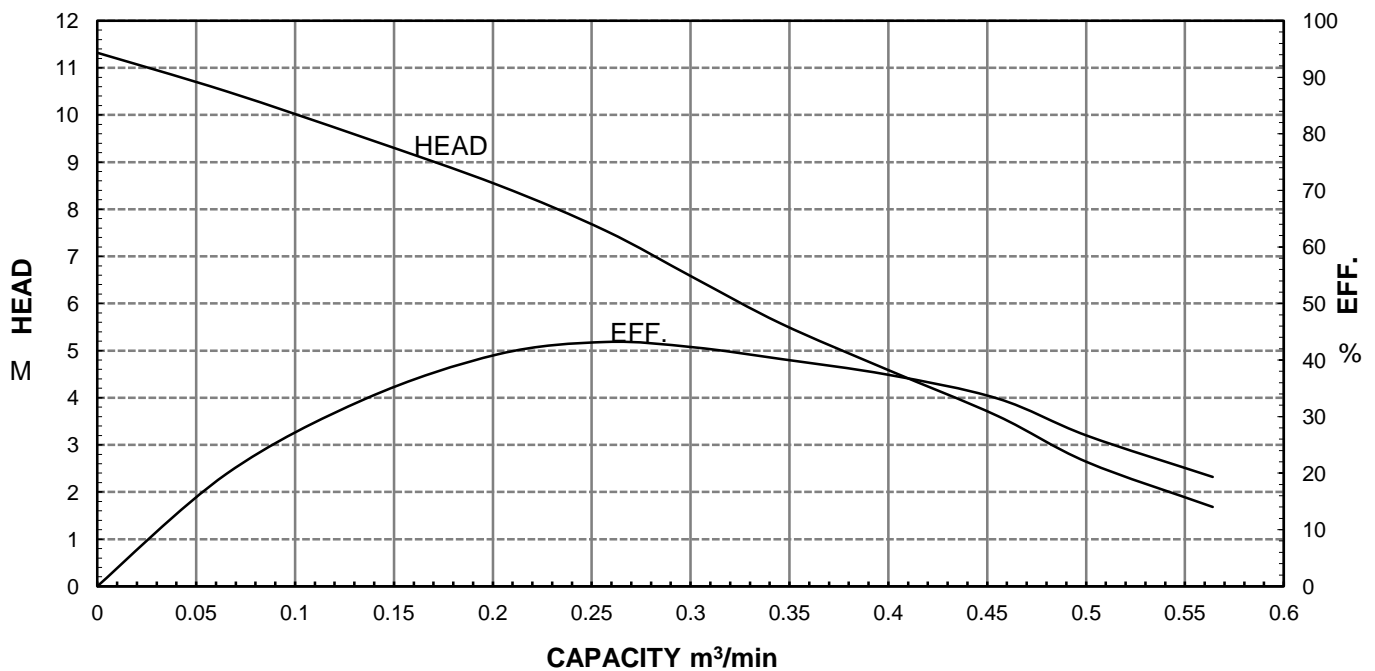


HCP PUMP

FILE NO PC-M-E5-F31U1

PUMP PERFORMANCE CURVES

MODEL	F-31U					DATE:	2011.12	
	STANDARD SPECIFICATION					REFERENCE SPECIFICATION		
FREQUENCY	50					Hz		
DISCHARGE	3	inch /		80	mm			
OUTPUT	1	HP /		0.75	kW	HP	kW	
HEAD	6.5					M		
CAPACITY	0.3					m ³ /min		
PHASE/VOLTAGE	1 ϕ	220 V	230 V	240 V			ϕ	V
RATED CURRENT		5.4 A	5.2 A	5.0 A				A
POLE / R.P.M.	2	P /		2850	R.P.M.			
START METHOD	DIRECT							
INSULATION CLASS	B							
REMARK								



HCP PUMP MANUFACTURER CO.,LTD.

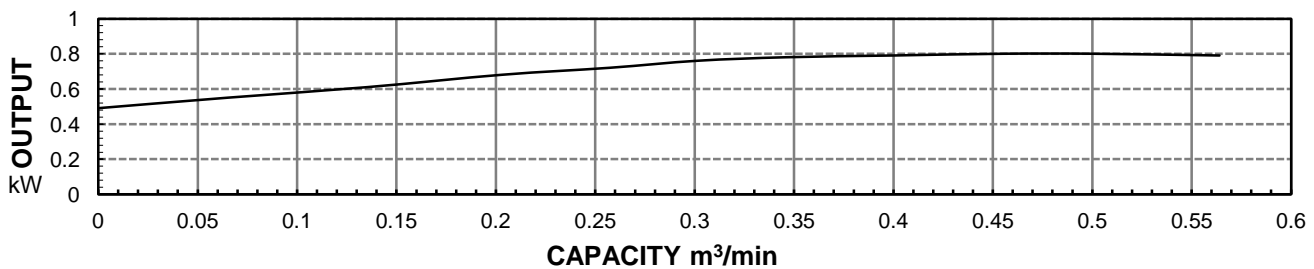
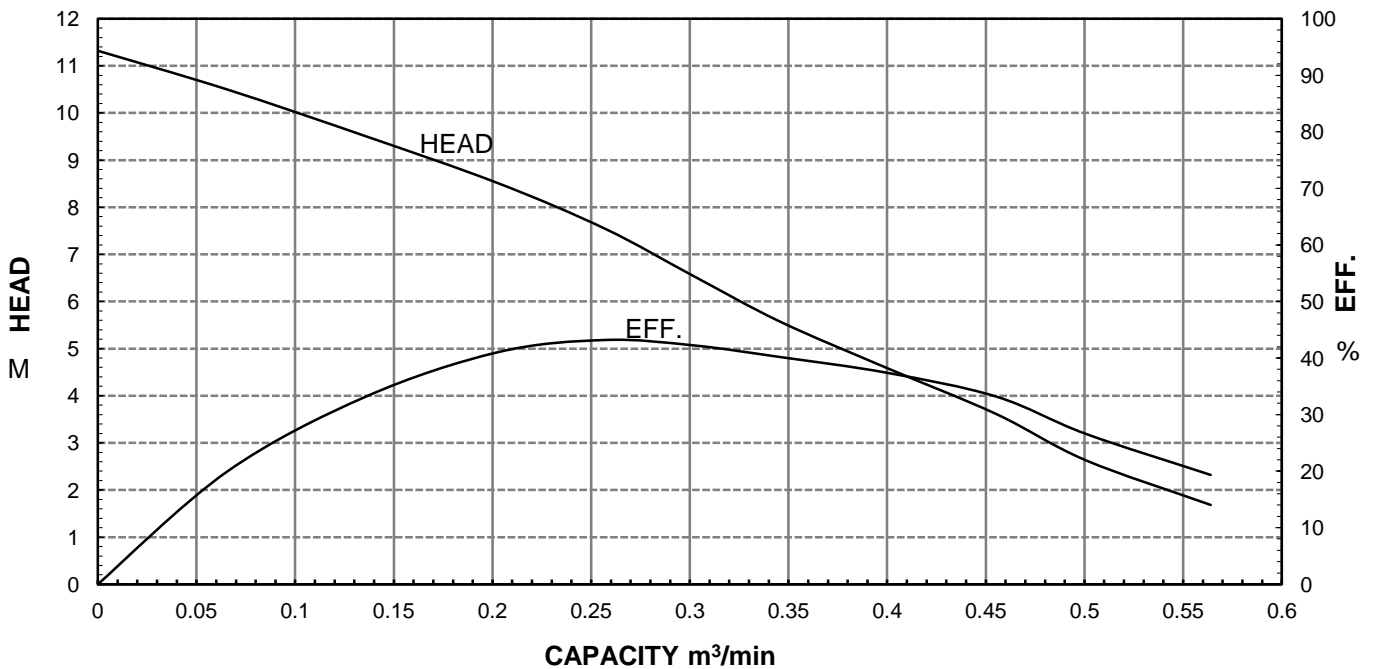


HCP PUMP

FILE NO PC-M-E5-F31U3

PUMP PERFORMANCE CURVES

MODEL	F-31U				DATE:	2011.12
	STANDARD SPECIFICATION				REFERENCE SPECIFICATION	
FREQUENCY	50			Hz		
DISCHARGE	3	inch	/	80	mm	
OUTPUT	1	HP	/	0.75	kW	HP kW
HEAD	6.5			M		
CAPACITY	0.3			m ³ /min		
PHASE/VOLTAGE	3 φ	230 V	380 V	400 V	415 V	φ V
RATED CURRENT		3.3 A	2.0 A	1.9 A	1.8 A	A
POLE / R.P.M.	2	P	/	2850	R.P.M.	
START METHOD	DIRECT					
INSULATION CLASS	B					
REMARK						



HCP PUMP MANUFACTURER CO.,LTD.

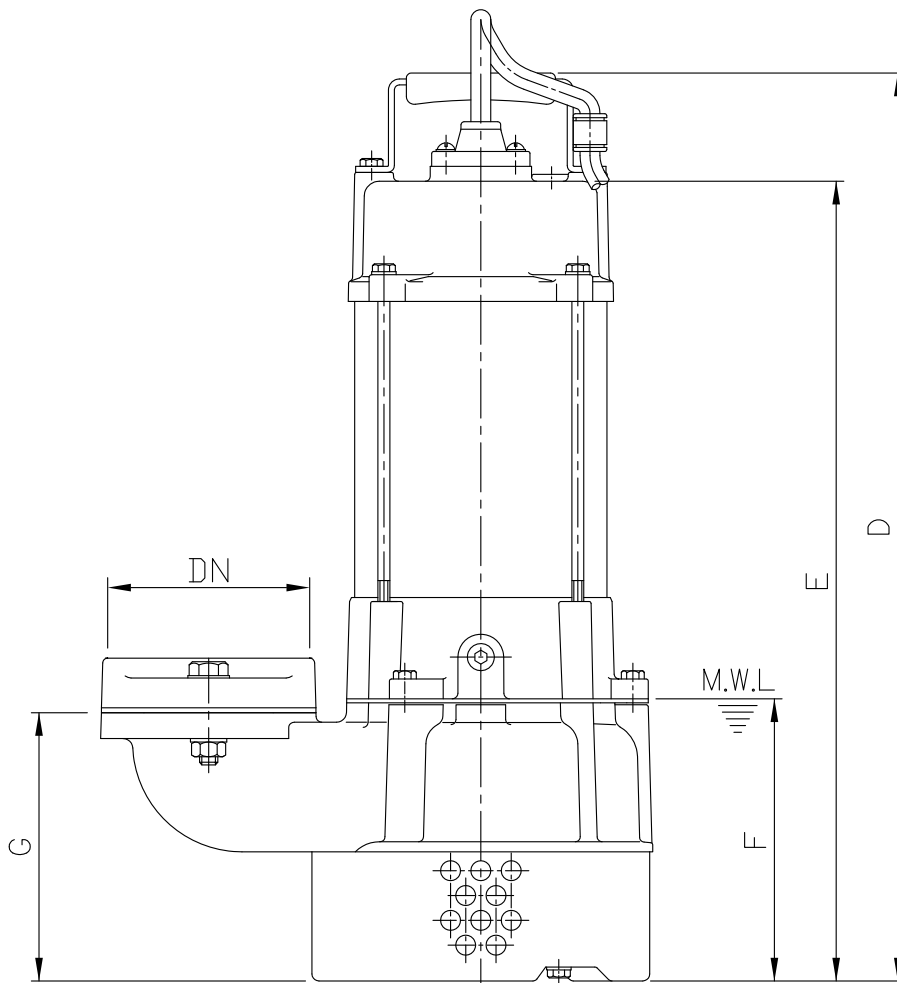
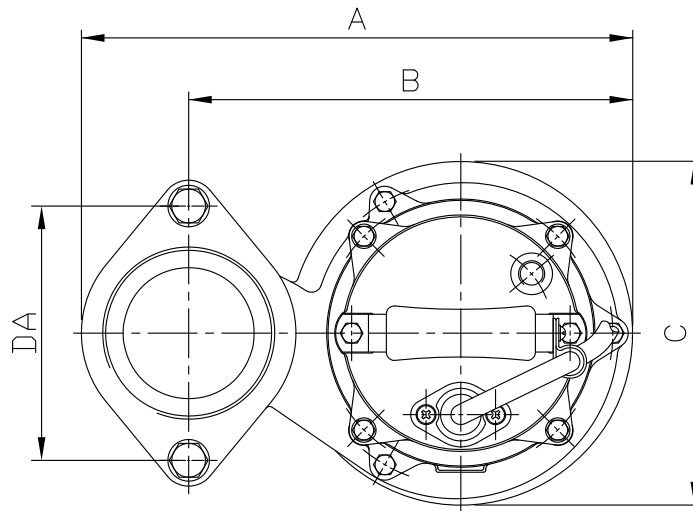
HCP PUMP

DIMENSIONAL DRAWING

No:DE-A31-1

Date:2011-01

MODEL: A-31;F-31U



Model	DN	DA	A	B	C	D	E	F	G
A-31	80	130	278	224	173	457	403	142	135
F-31U	80	130	278	224	173	457	403	142	135

M.W.L: Minimun water level



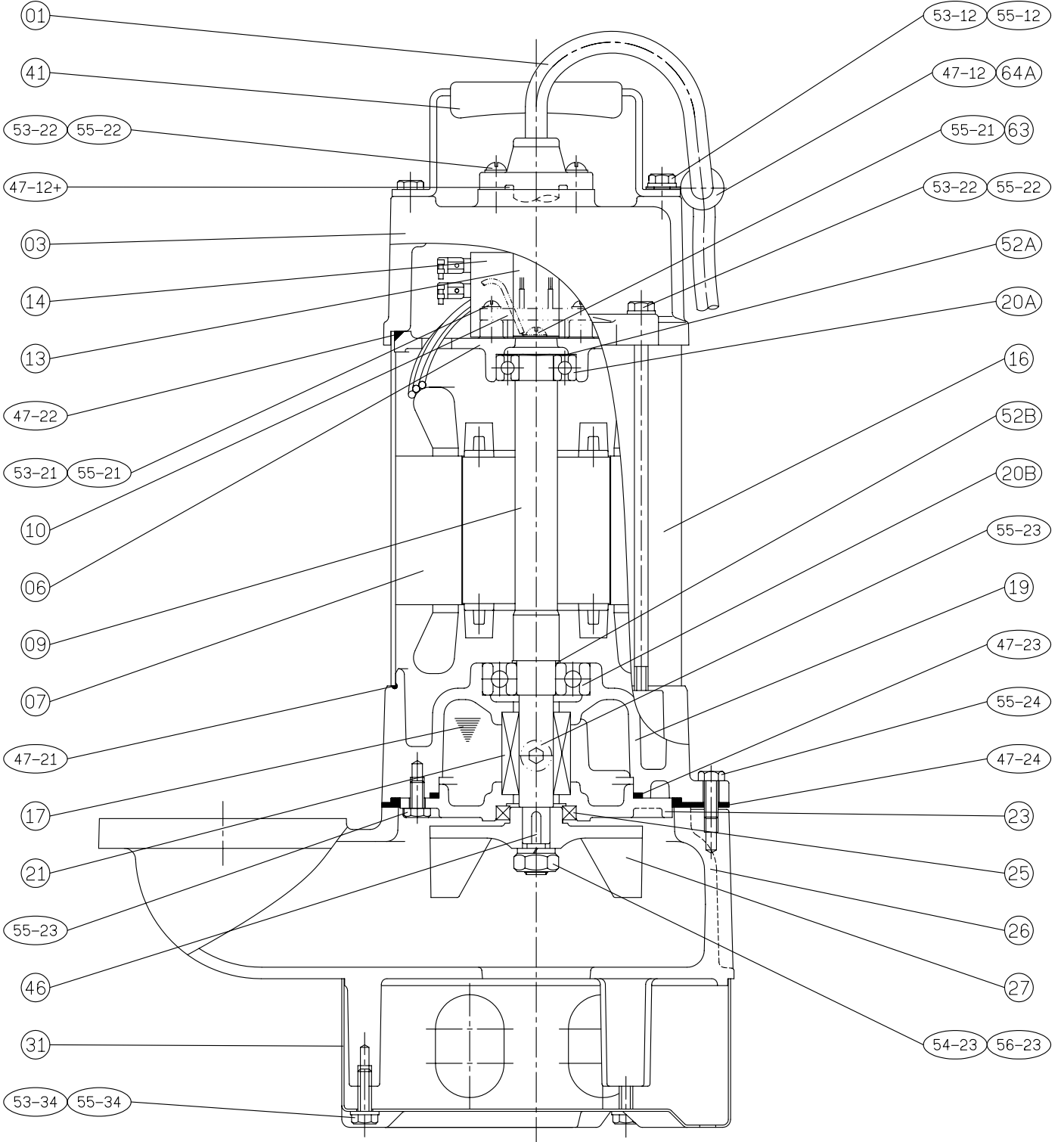
PUMP

SECTIONAL DRAWING

A3F0U208010-00

DATE:2011-06

MODEL: F-31U 1Ø





PUMP

SECTIONAL DRAWING

A3F0U208030-00

DATE:2011-06

MODEL: F-31U 3Ø

