

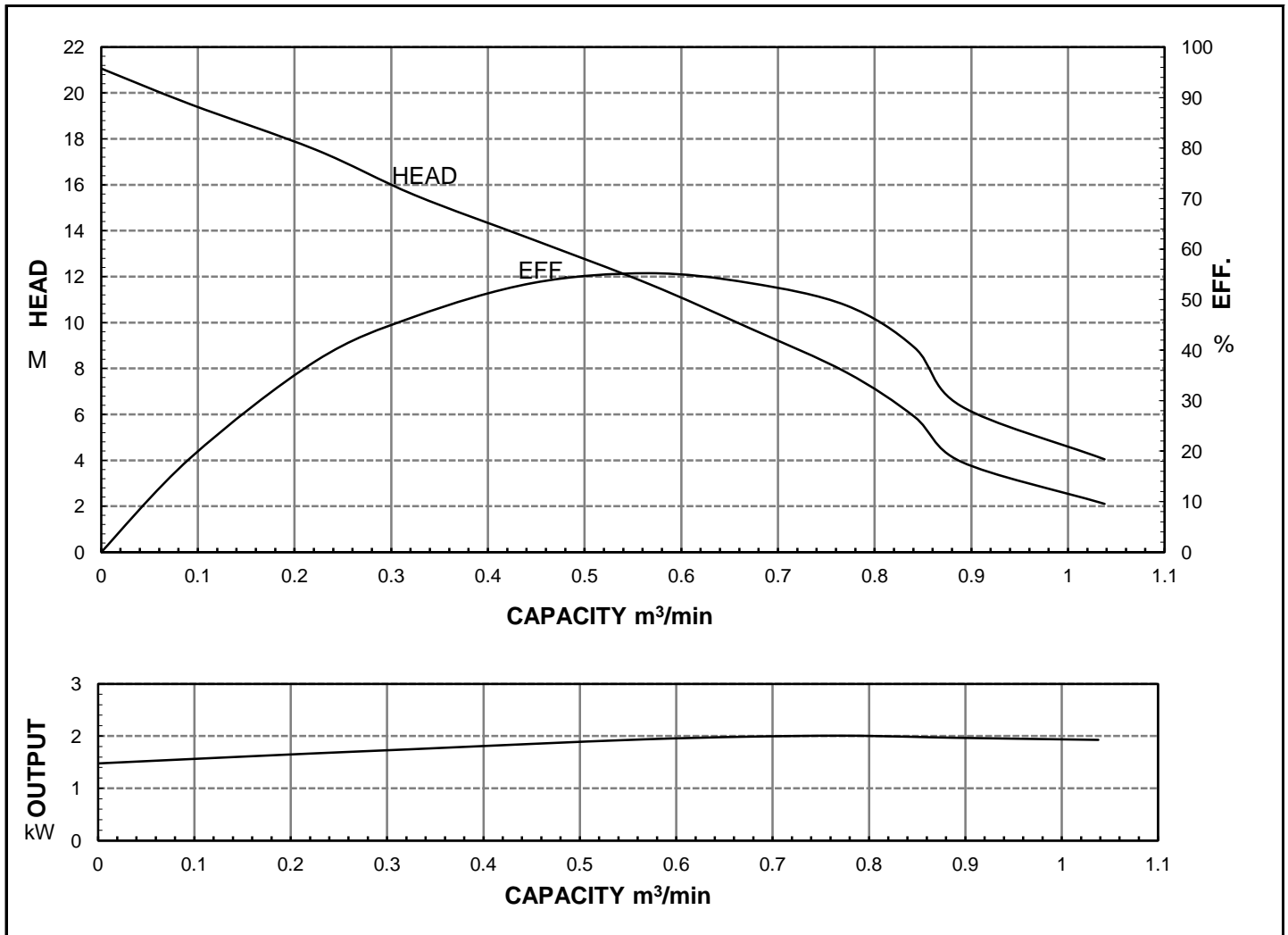


# HCP PUMP

FILE NO PC-M-E5-F33P1

## PUMP PERFORMANCE CURVES

MODEL	F-33P					DATE:	2011.12	
	STANDARD SPECIFICATION					REFERENCE SPECIFICATION		
FREQUENCY	50					Hz		
DISCHARGE	3	inch	/	80	mm			
OUTPUT	3	HP	/	2.2	kW	HP	kW	
HEAD	10.5					M		
CAPACITY	0.6					m <sup>3</sup> /min		
PHASE/VOLTAGE	1	φ	220 V	230 V	240 V		φ	V
RATED CURRENT		15.0 A	14.6 A	14.4 A				A
POLE / R.P.M.	2	P	/	2870	R.P.M.			
START METHOD	DIRECT							
INSULATION CLASS	B							
REMARK								



HCP PUMP MANUFACTURER CO.,LTD.

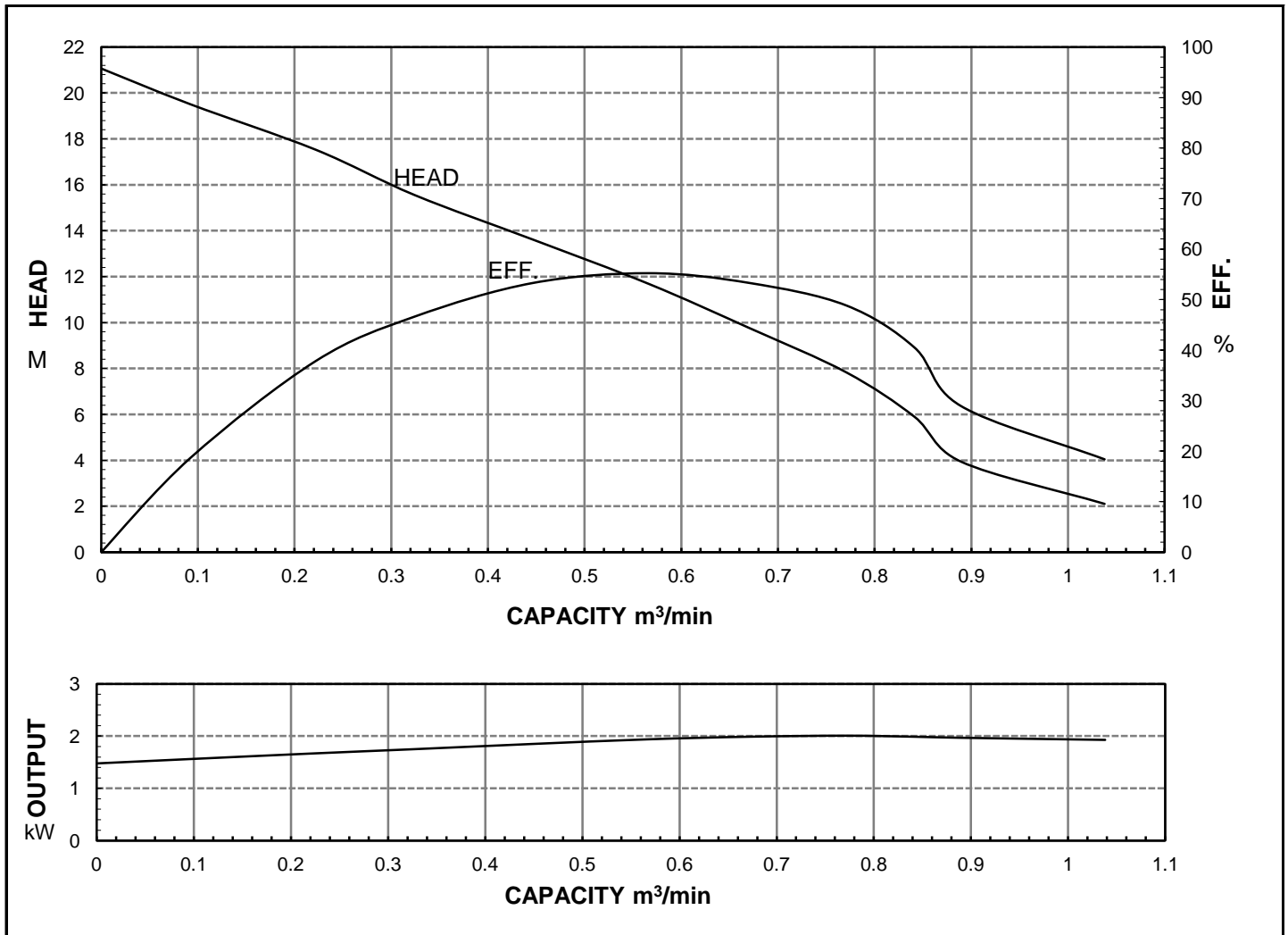


# HCP PUMP

FILE NO PC-M-E5-F33P3

## PUMP PERFORMANCE CURVES

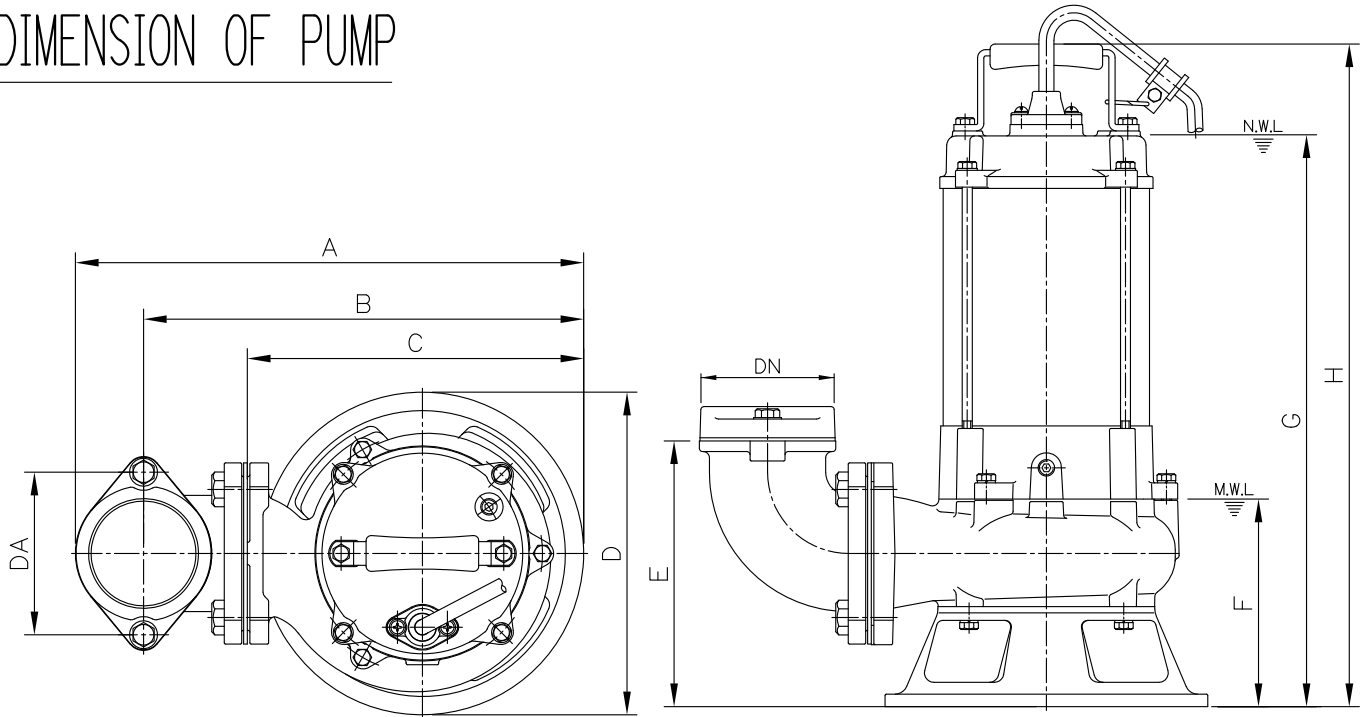
MODEL	F-33P				DATE:	2011.12
	STANDARD SPECIFICATION				REFERENCE SPECIFICATION	
FREQUENCY	50 Hz					
DISCHARGE	3	inch	/	80	mm	
OUTPUT	3	HP	/	2.2	HP	kW
HEAD	10.5				M	
CAPACITY	0.6				m <sup>3</sup> /min	
PHASE/VOLTAGE	3	φ	230 V	380 V	400 V	415 V
RATED CURRENT		8.6 A	5.1 A	5.0 A	4.8 A	
POLE / R.P.M.	2	P	/	2870	R.P.M.	
START METHOD	DIRECT					
INSULATION CLASS	B					
REMARK						



HCP PUMP MANUFACTURER CO.,LTD.

MODEL: F-32T;F-33

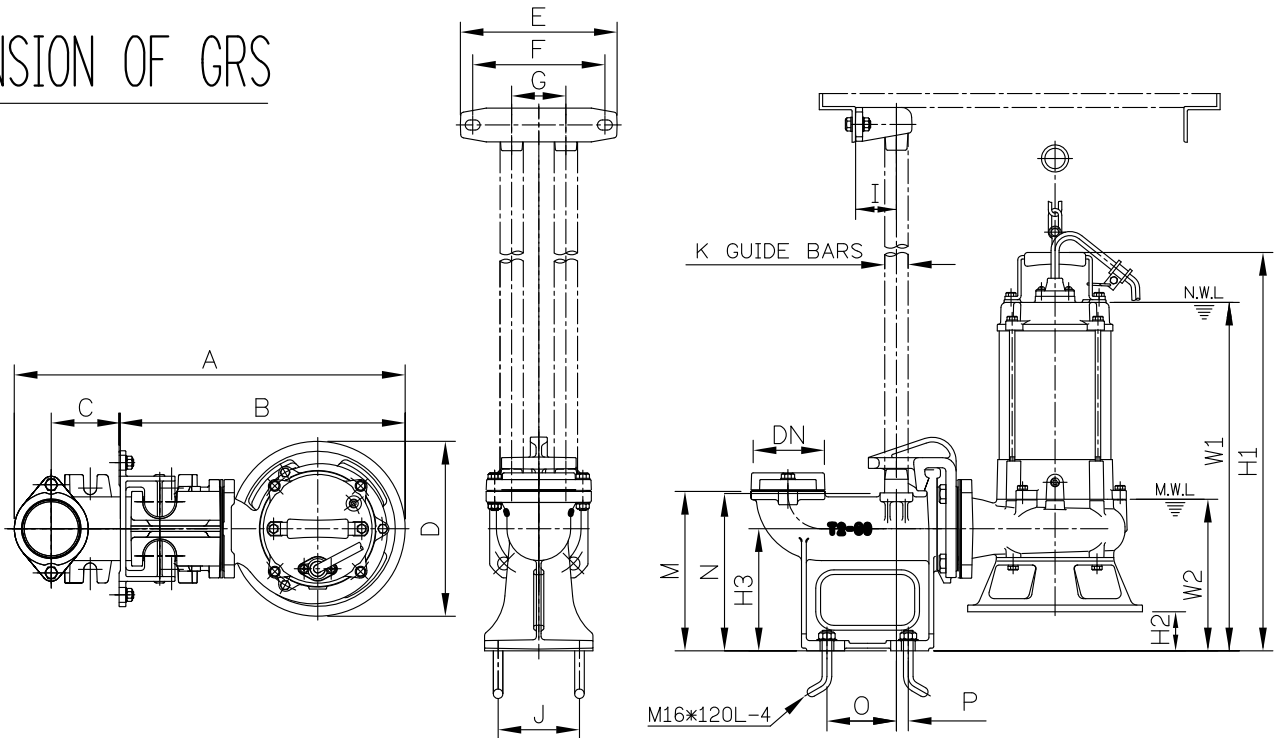
DIMENSION OF PUMP



Model	DN	DA	A	B	C	D	E	F	G	H
F-32T	80	130	408	352	270	258	215	166	458(535)	530(610)
F-33	80	130	408	352	270	258	215	166	458(535)	530(610)

Remark: ( )Dimensions in 1∅  
 N.W.L.: Normal water level  
 M.W.L.: Minimum water level

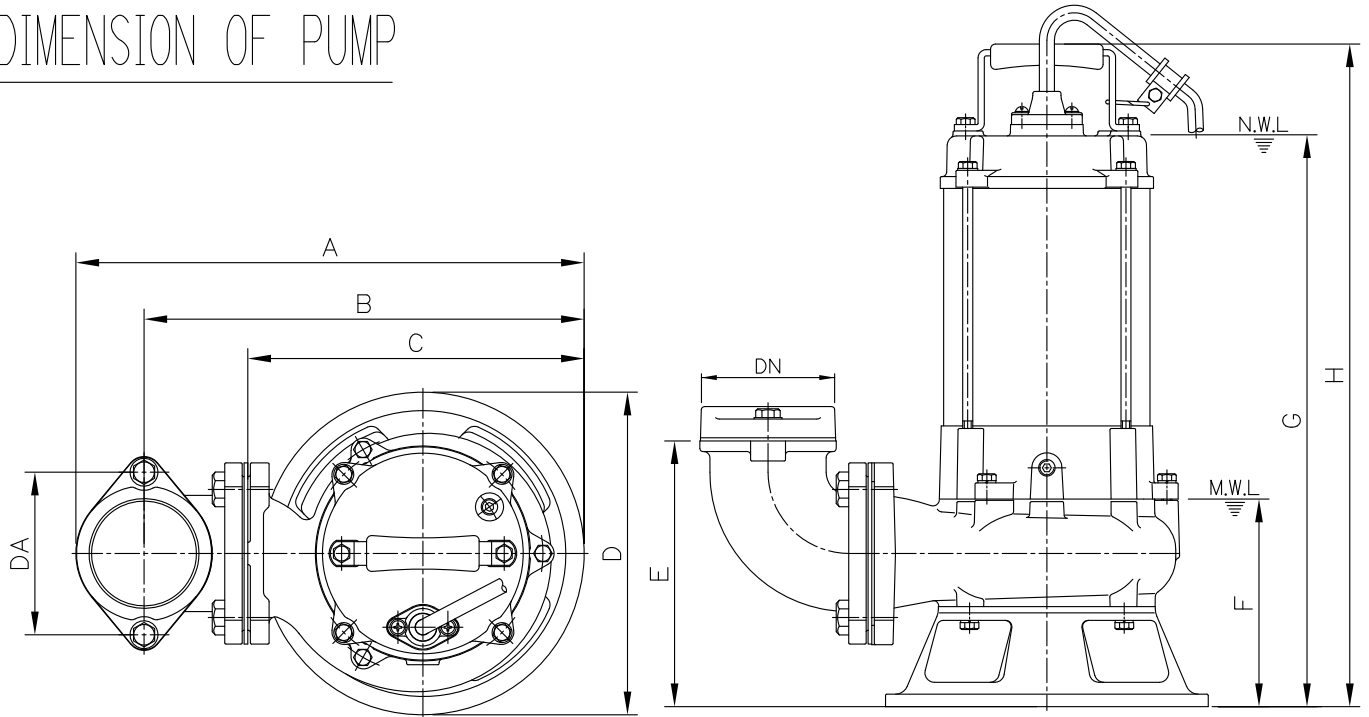
DIMENSION OF GRS



Model	DN	A	B	C	D	E	F	G	I	J	K	M	N	O	P	W1	W2	H1	H2	H3
F-32T	80	577	417	100	258	230	195	80	60	120	1,4	235	233	103	18	510(587)	219	583(663)	58	180
F-33	80	577	417	100	258	230	195	80	60	120	1,4	235	233	103	18	510(587)	219	583(663)	58	180

MODEL: F-32T;F-33

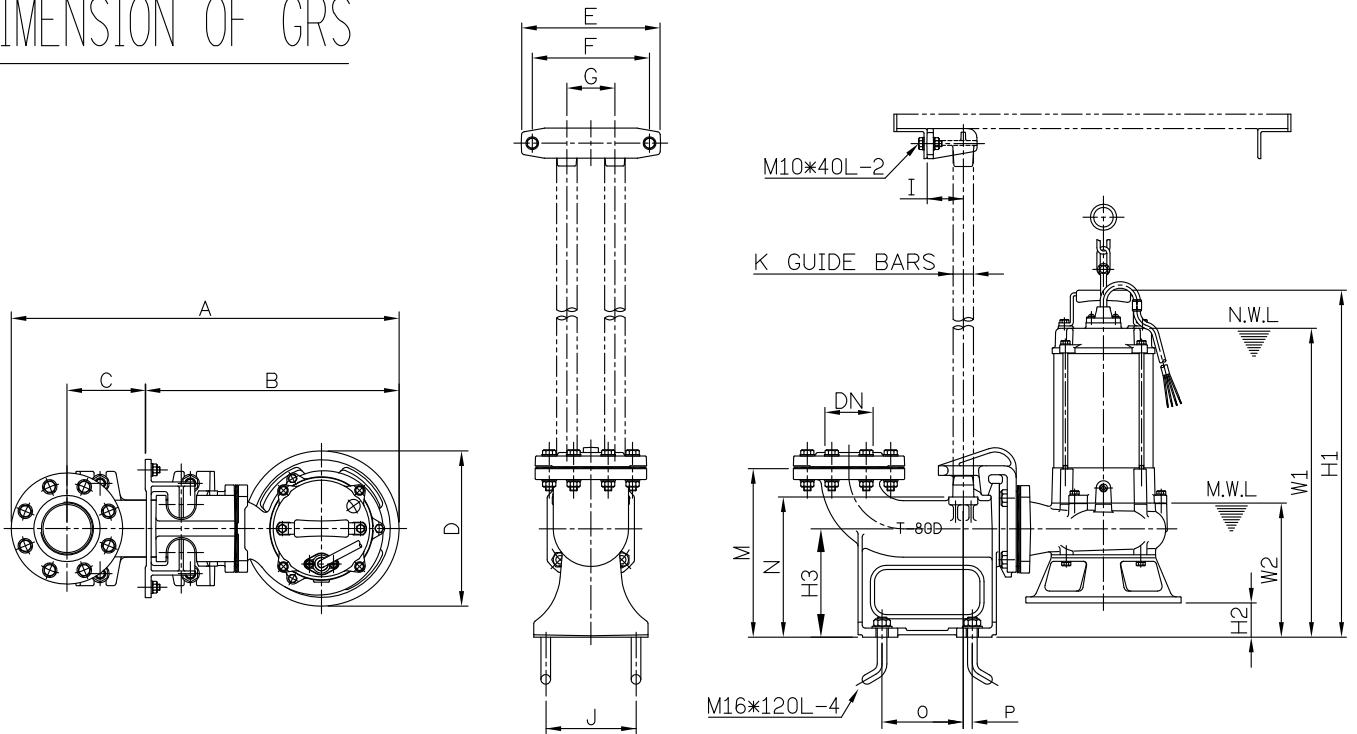
DIMENSION OF PUMP



Model	DN	DA	A	B	C	D	E	F	G	H
F-32T	80	130	408	352	270	258	215	166	458(535)	530(610)
F-33	80	130	408	352	270	258	215	166	458(535)	530(610)

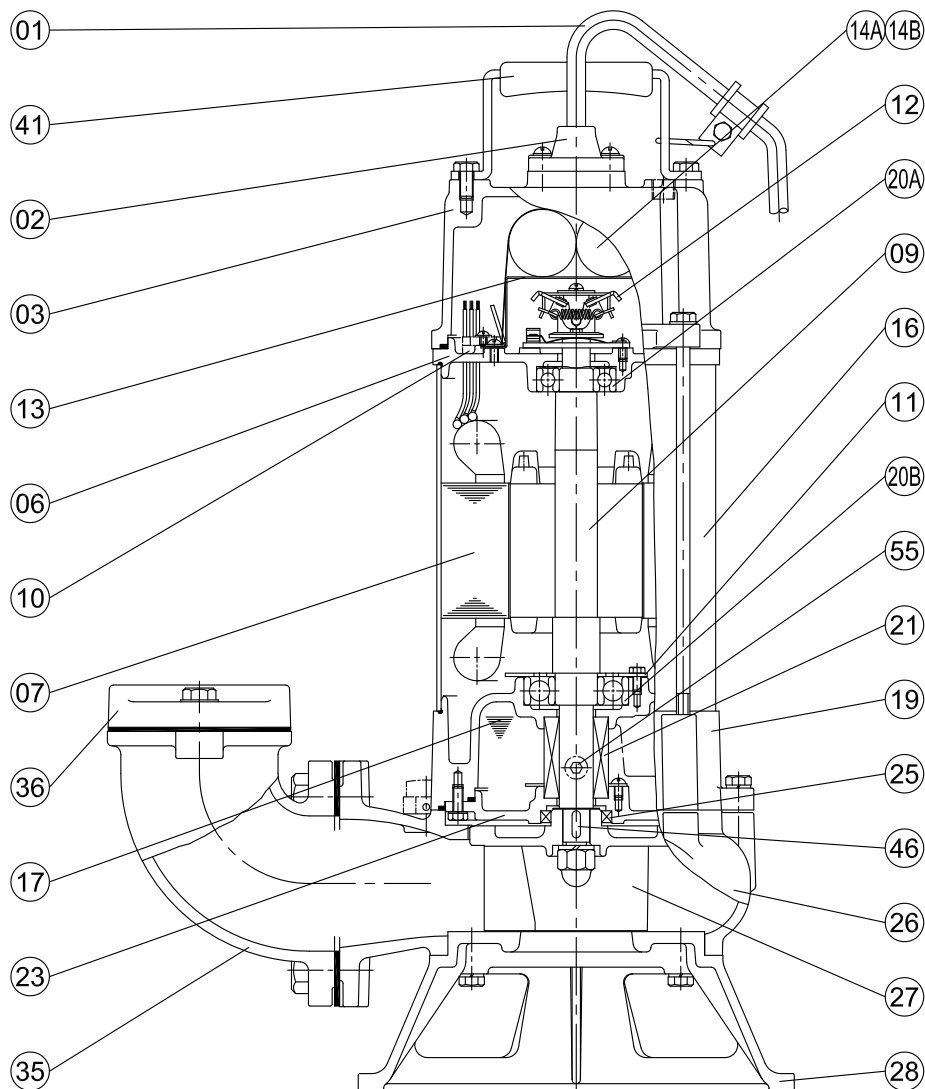
Remark: ( )Dimensions in 1Ø  
 N.W.L: Normal water level  
 M.W.L: Minimum water level

DIMENSION OF GRS



Model	DN	A	B	C	D	E	F	G	I	J	K	M	N	O	P	W1	W2	H1	H2	H3
F-32T	80	644.5	422	130	258	230	195	80	60	150	1 1/4"	280	233	135	15	514(592)	223	577(655)	57	180
F-33	80	644.5	422	130	258	230	195	80	60	150	1 1/4"	280	233	135	15	514(592)	223	577(655)	57	180

## MODEL: F-32TP;F-33P 1Ø



No.	Part name	Material	QTY	Remark
01	Cable		1	VCT/H07RN-F UL / CSA
02	Cable base	PC+PBT	1	
03	Upper cover	FC-200	1	
06	Bracket	FC-200	1	
07	Stator		1	
09	Shaft(with Rotor)	SUS403	1	
10	Auto-cut		1	*
11	Bearing fixer	SS41	1	
12	Centrifugal switch		1	
13	Centrifugal switch cover		1	
14A	Capacitor		1	
14B	Start capacitor		1	
16	Motor frame	SUS304	1	
17	Lubricant	Turbine oil #32	1	
19	Bearing bracket	FC-200	1	
20A	Upper bearing		1	

No.	Part name	Material	QTY	Remark
20B	Lower bearing		1	
21	M. seal	CA VS CE SIC VS SIC	1	
23	M. seal bracket	FC-200	1	
25	Oil seal	NBR	1	
26	Casing	FC-200	1	
27	Impeller	FC-200	1	
28	Casing cover	FCD450	1	
35	Coupling	FC-200	1	
36	Flange	FC-200	1	
41	Handle	SS41	1	
46	Impeller key	SUS304	1	
47	Packing (1 set)		1	
55	Oil plug	SUS304	1	

\*Auto-cut for F-33P 1Ø is unobtainable now.