

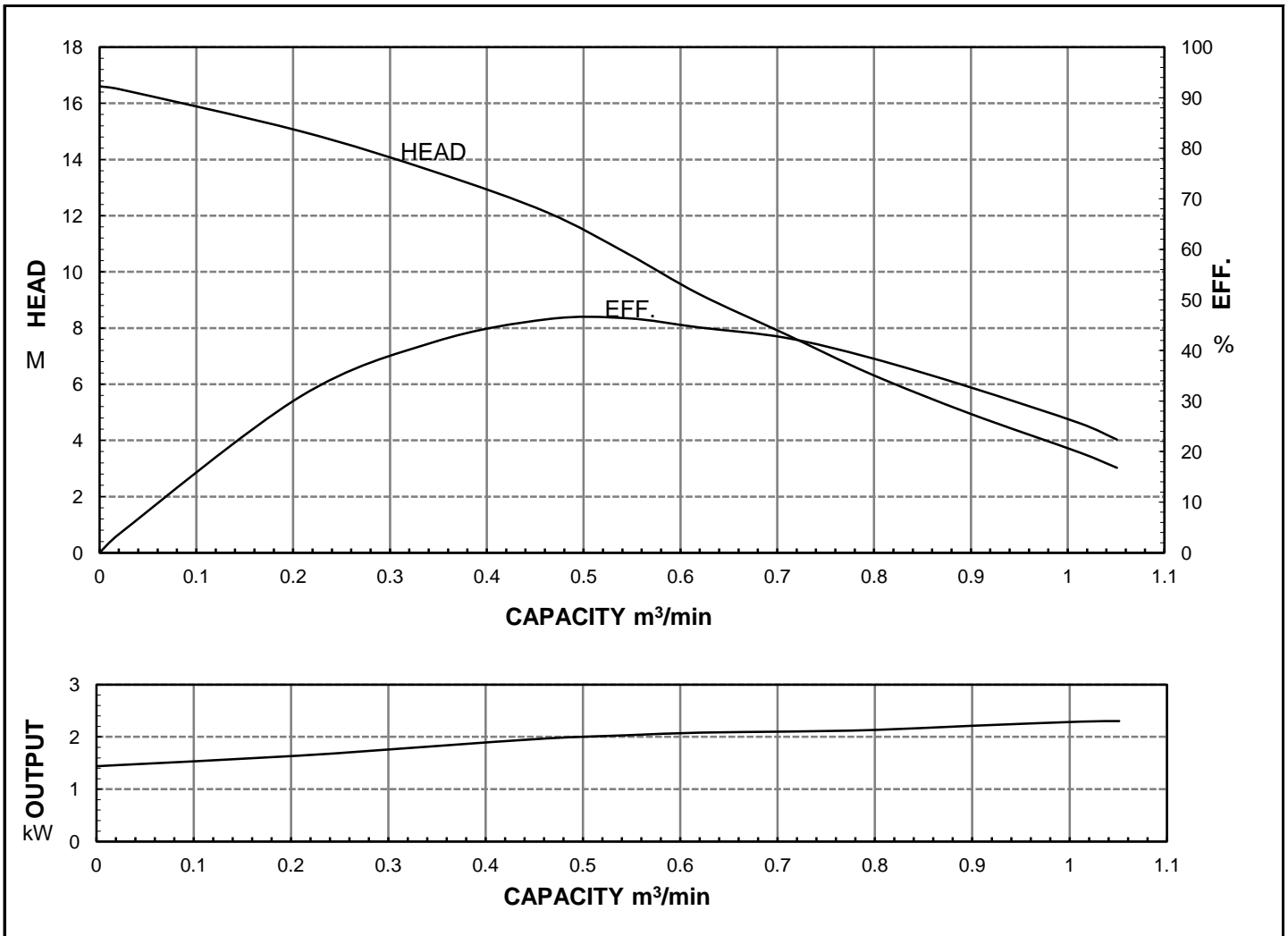


HCP PUMP

FILE NO PC-M-E5-F33U1

PUMP PERFORMANCE CURVES

MODEL	F-33U					DATE:	2011.12	
	STANDARD SPECIFICATION					REFERENCE SPECIFICATION		
FREQUENCY	50					Hz		
DISCHARGE	3	inch	/	80	mm			
OUTPUT	3	HP	/	2.2	kW	HP	kW	
HEAD	11.5					M		
CAPACITY	0.5					m ³ /min		
PHASE/VOLTAGE	1	φ	220 V	230 V	240 V		φ	V
RATED CURRENT		15.0 A	14.6 A	14.4 A				A
POLE / R.P.M.	2	P	/	2850	R.P.M.			
START METHOD	DIRECT							
INSULATION CLASS	B							
REMARK								



HCP PUMP MANUFACTURER CO.,LTD.

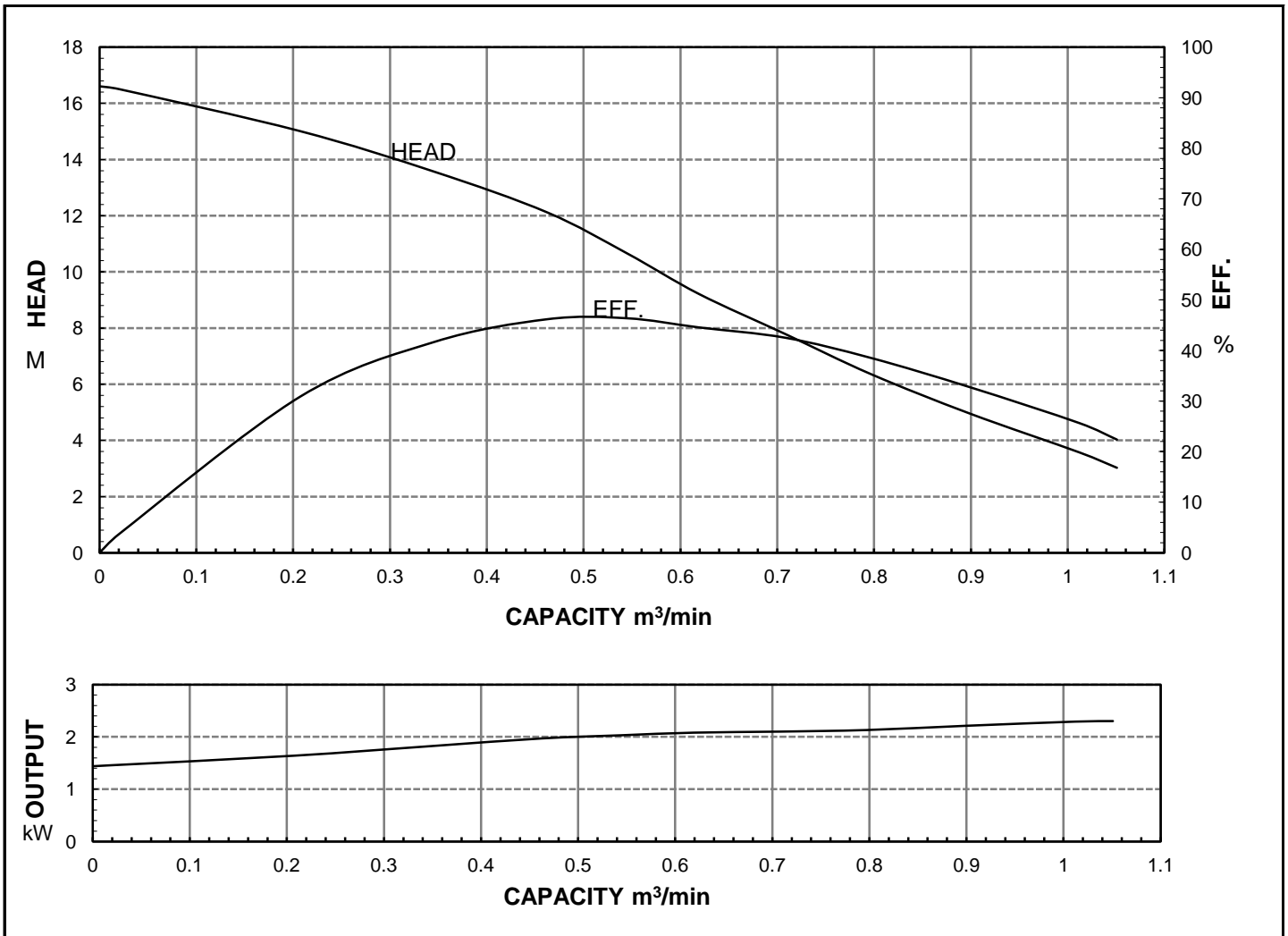


HCP PUMP

FILE NO PC-M-E5-F33U3

PUMP PERFORMANCE CURVES

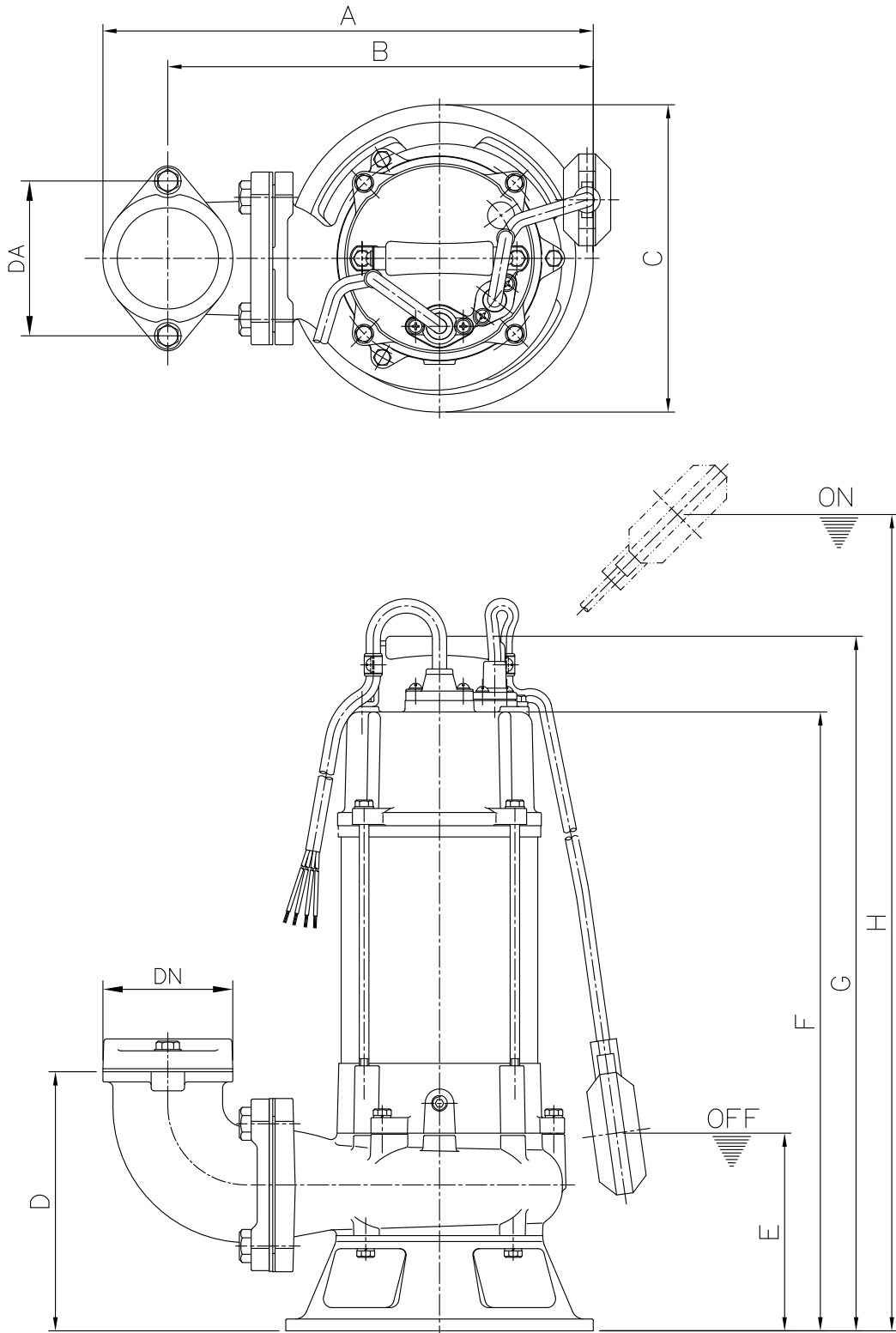
MODEL	F-33U				DATE:	2011.12
	STANDARD SPECIFICATION				REFERENCE SPECIFICATION	
FREQUENCY	50			Hz		
DISCHARGE	3	inch	/	80	mm	
OUTPUT	3	HP	/	2.2	kW	HP kW
HEAD	11.5			M		
CAPACITY	0.5			m ³ /min		
PHASE/VOLTAGE	3 φ	230 V	380 V	400 V	415 V	φ V
RATED CURRENT		8.6 A	5.1 A	5.0 A	4.8 A	A
POLE / R.P.M.	2	P	/	2850	R.P.M.	
START METHOD	DIRECT					
INSULATION CLASS	B					
REMARK						



HCP PUMP MANUFACTURER CO.,LTD.

MODEL: F-32TUF;F-33UF

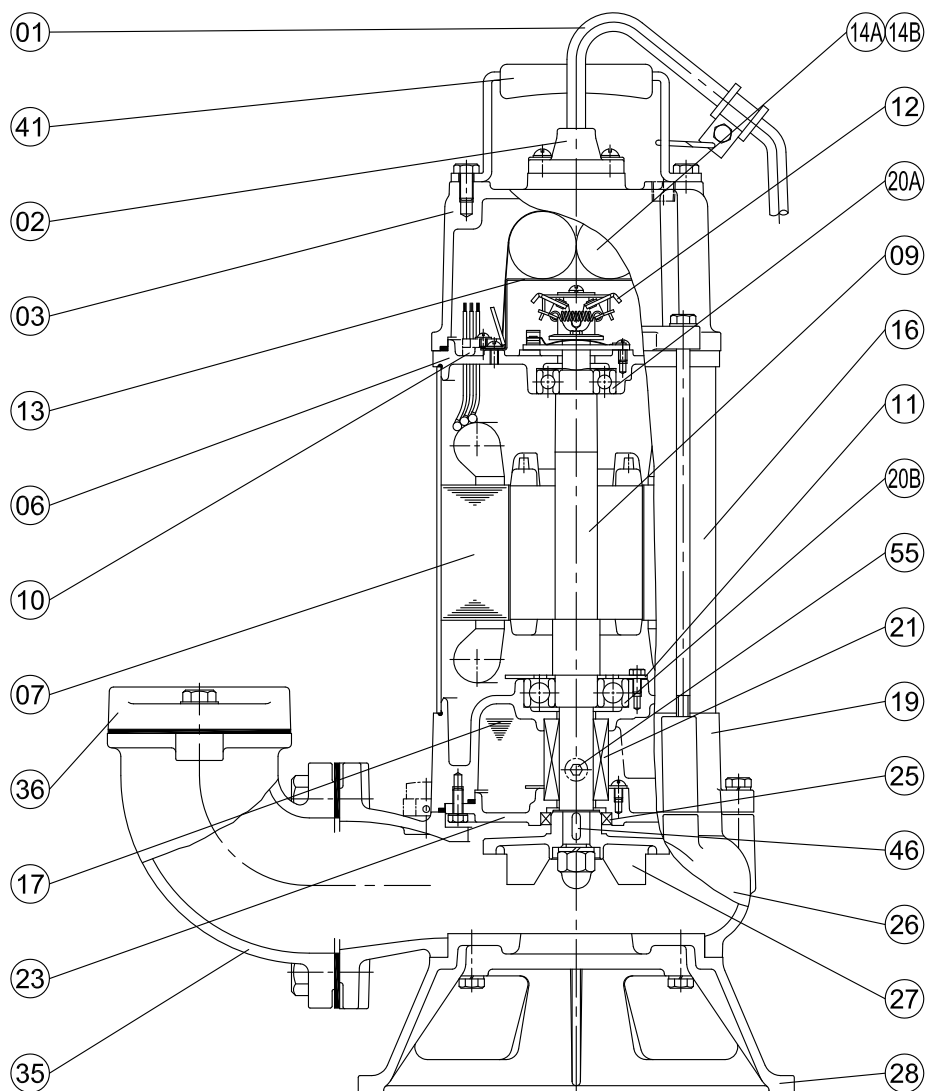
DIMENSION OF PUMP



Model	DN	DA	A	B	C	D	E	F	G	H
F-32TUF	80	130	412	357	258	218	166(181)	520(535)	583(598)	875(890)
F-33UF	80	130	412	357	258	218	166(181)	520(535)	583(598)	875(890)

Remark: ()Dimensions in 1ø

MODEL: F-32TU;F-33U 1Ø

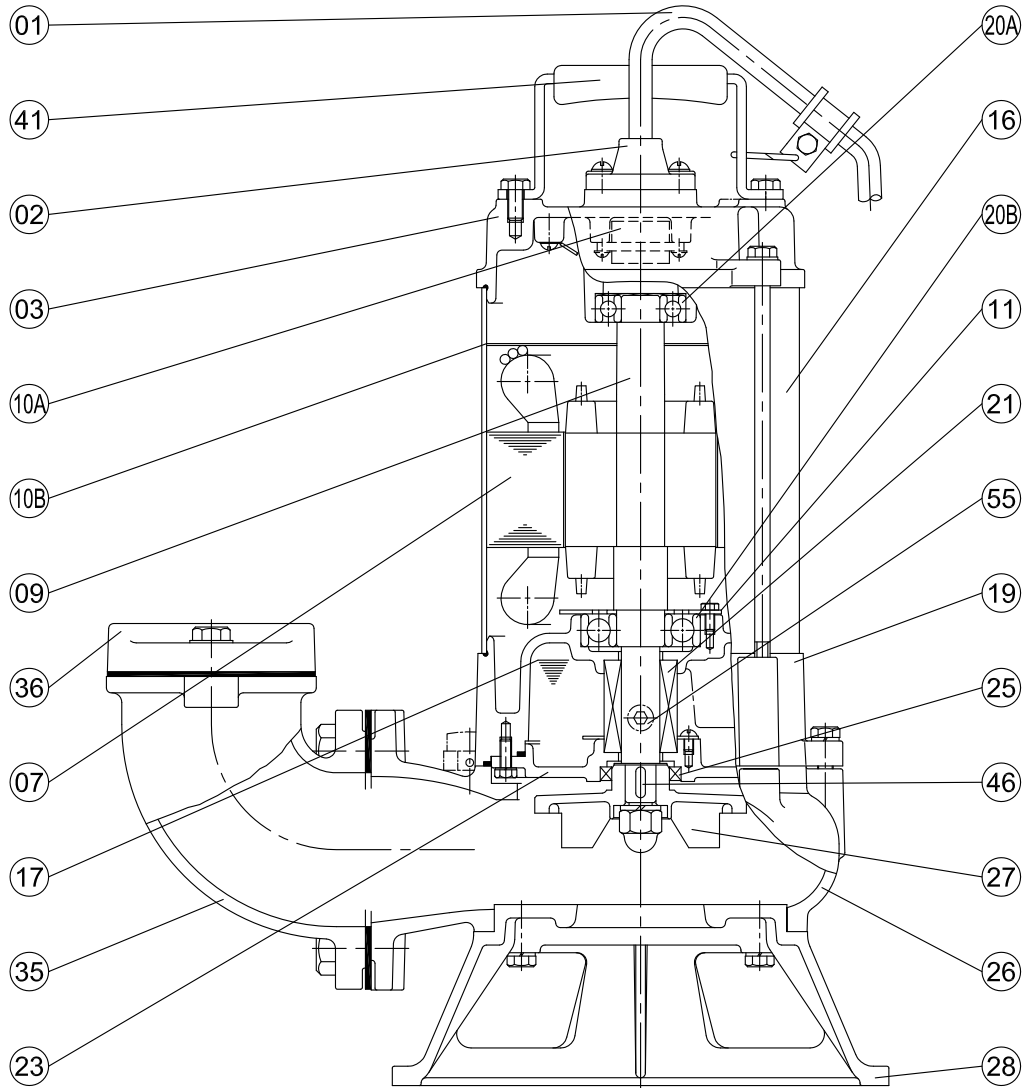


No.	Part name	Material	QTY	Remark
01	Cable		1	VCT/H07RN-F UL / CSA
02	Cable base	PC+PBT	1	
03	Upper cover	FC-200	1	
06	Bracket	FC-200	1	
07	Stator		1	
09	Shaft(with Rotor)	SUS403	1	
10	Auto-cut		1	*
11	Bearing fixer	SS41	1	
12	Centrifugal switch		1	
13	Centrifugal switch cover		1	
14A	Capacitor		1	
14B	Start capacitor		1	
16	Motor frame	SUS304	1	
17	Lubricant	Turbine oil #32	1	
19	Bearing bracket	FC-200	1	
20A	Upper bearing		1	

No.	Part name	Material	QTY	Remark
20B	Lower bearing		1	
21	M. seal	CA VS CE SIC VS SIC	1	
23	M. seal bracket	FC-200	1	
25	Oil seal	NBR	1	
26	Casing	FC-200	1	
27	Impeller	FC-200	1	
28	Casing cover	FCD450	1	
35	Coupling	FC-200	1	
36	Flange	FC-200	1	
41	Handle	SS41	1	
46	Impeller key	SUS304	1	
47	Packing (1 set)		1	
55	Oil plug	SUS304	1	

*Auto-cut for F-33U 1Ø is unobtainable now.

MODEL: F-32TU;F-33U 3Ø



No.	Part name	Material	QTY	Remark
01	Cable		1	VCT/H07RN-F UL / CSA
02	Cable base	PC+PBT	1	
03	Upper cover	FC-200	1	
07	Stator		1	
09	Shaft(with Rotor)	SUS403	1	
10A	Auto-cut		1	
10B	Auto-cut plate		1	
11	Bearing fixer	SS41	1	
16	Motor frame	SUS304	1	
17	Lubricant	Turbine oil #32	1	
19	Bearing bracket	FC-200	1	
20A	Upper bearing		1	
20B	Lower bearing		1	
21	M. seal	CA VS CE SIC VS SIC	1	

No.	Part name	Material	QTY	Remark
23	M. seal bracket	FC-200	1	
25	Oil seal	NBR	1	
26	Casing	FC-200	1	
27	Impeller	FC-200	1	
28	Casing cover	FCD450	1	
35	Coupling	FC-200	1	
36	Flange	FC-200	1	
41	Handle	SS41	1	
46	Impeller key	SUS304	1	
47	Packing (1 set)		1	
55	Oil plug	SUS304	1	