

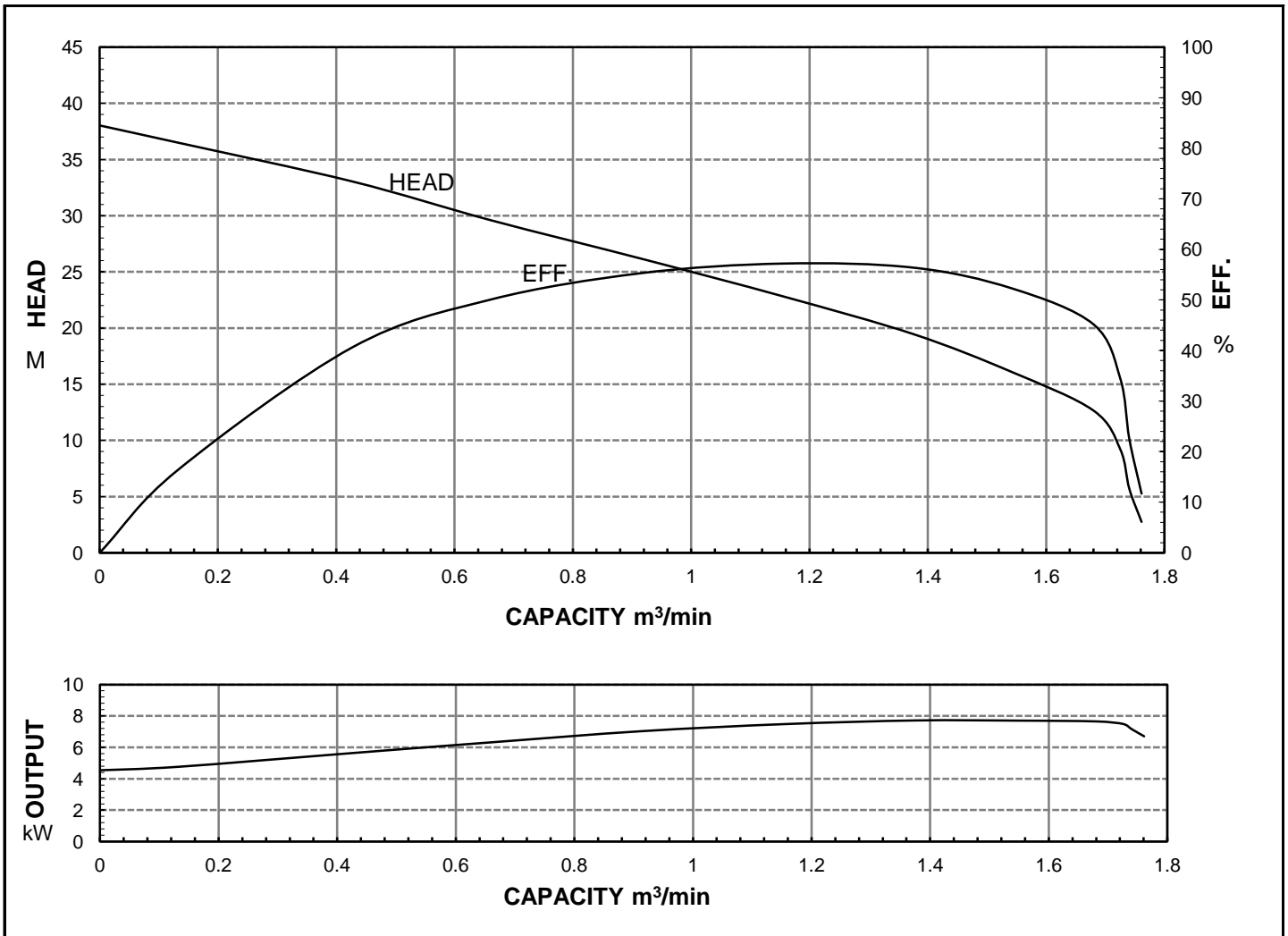


HCP PUMP

FILE NO PC-M-E5-IC410

PUMP PERFORMANCE CURVES

MODEL	IC-410				DATE:	2011.12
	STANDARD SPECIFICATION				REFERENCE SPECIFICATION	
FREQUENCY	50			Hz		
DISCHARGE	4	inch	/	100	mm	
OUTPUT	10	HP	/	7.5	kW	HP kW
HEAD	25			M		
CAPACITY	1			m ³ /min		
PHASE/VOLTAGE	3 φ	230 V	380 V	400 V	415 V	φ V
RATED CURRENT		26.4 A	15.6 A	15.3 A	14.5 A	A
POLE / R.P.M.	2	P	/	2850	R.P.M.	
START METHOD	DIRECT					
INSULATION CLASS	F					
REMARK						



HCP PUMP MANUFACTURER CO.,LTD.

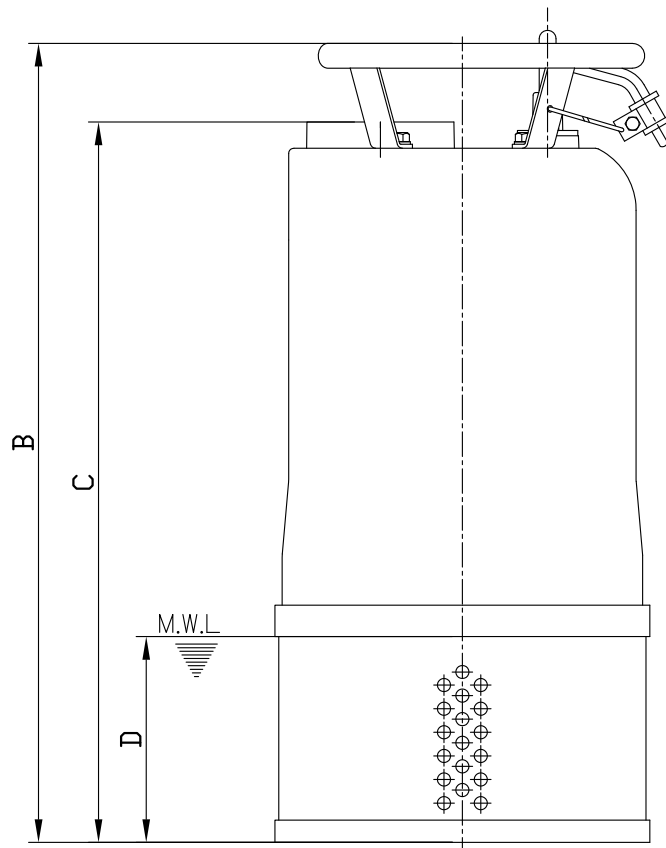
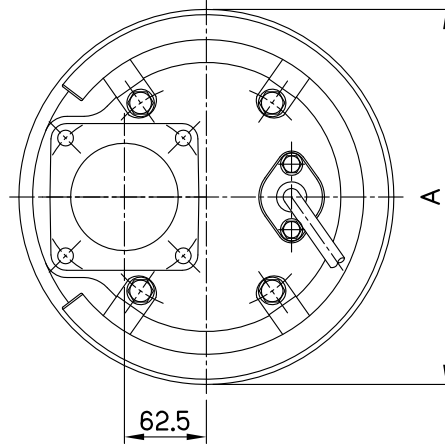
HCP PUMP

DIMENSIONAL DRAWING

No:DE-IC48

Date:2011-03

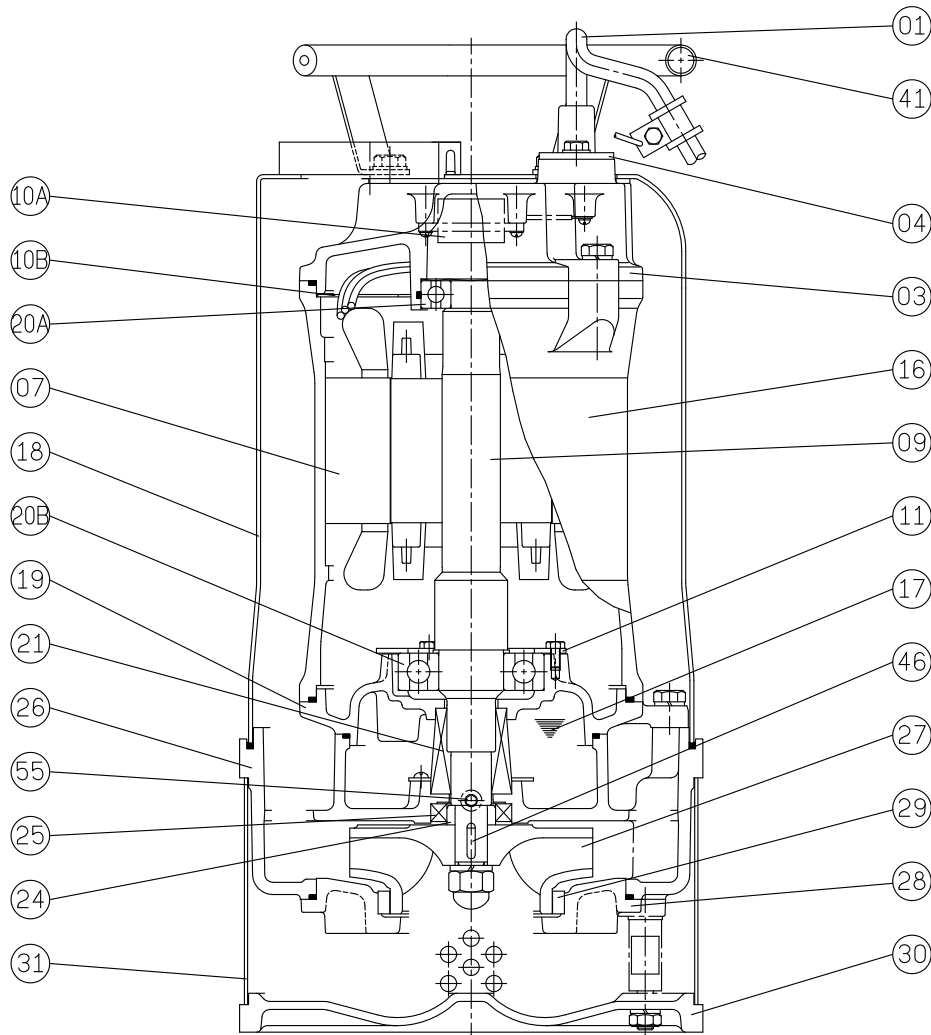
MODEL: IC-48;IC-410;IC-68(50Hz);IC-610



Model	A	B	C	D
IC-48	286	610	550	130
IC-410	286	610	550	130
IC-68(50Hz)	286	610	550	130
IC-610	286	610	550	130

M.W.L: Minimum water level

MODEL:IC-48;IC-410



No.	Part name	Material	QTY	Remark
01	Cable		1	VCT/H07RN-F UL/CSA
03	Upper cover	FC-200	1	
04	Cable base cover	SUS304	1	
07	Stator		1	
09	Shaft(with Rotor)	SUS420J2	1	
10A	Auto-cut		1	
10B	Auto-cut plate		1	
11	Bearing fixer	SPCC	1	
16	Motor frame	FC-200	1	
17	Lubricant	Turbine oil #32	1	
18	Out cover	SUS304	1	
19	Bearing bracket	FC-200	1	
20A	Upper bearing		1	
20B	Lower bearing		1	
21	M. seal	CA VS CE SIC VS SIC	1	
24	Oil seal bush	SUS304	1	

No.	Part name	Material	QTY	Remark
25	Oil seal	NBR	1	
26	Casing	FC-200	1	
27	Impeller	Cr steel	1	
28	Casing cover	FC-200	1	
29	Wear ring	Cr steel	1	
30	Footing	FCD500 AC4C	1	
31	Strainer	SUS304	1	
41	Handle	SUS304	1	
46	Impeller key	SUS304	1	
47	Packing (1 set)		1	
49	Cable sleeve	NEOPRENE	1	
55	Oil plug	SUS304	1	