

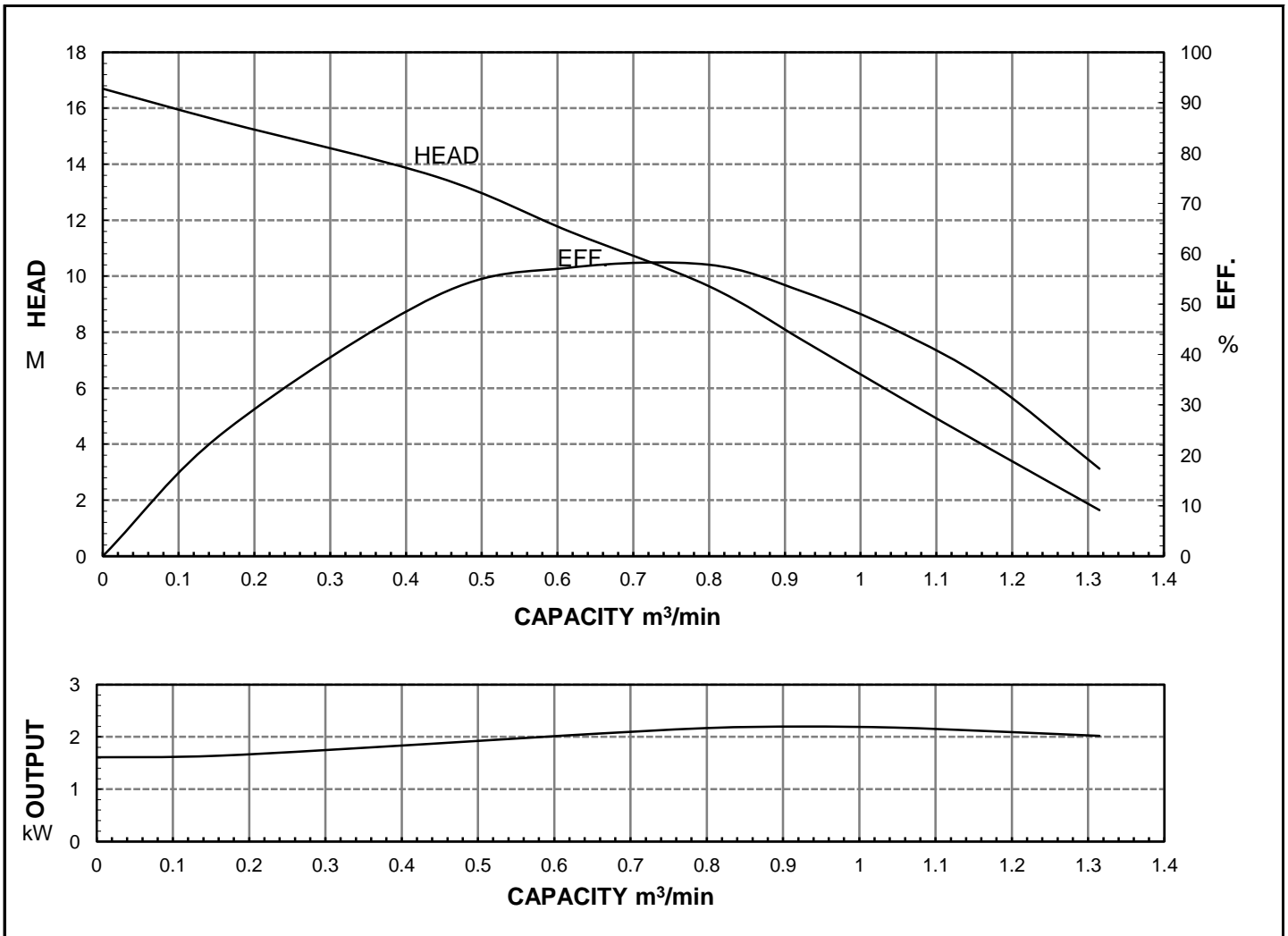


HCP PUMP

FILE NO. PC-M-E5-IC43B1

PUMP PERFORMANCE CURVES

MODEL	IC-43B					DATE:	2011.12	
	STANDARD SPECIFICATION					REFERENCE SPECIFICATION		
FREQUENCY	50 Hz							
DISCHARGE	4(3.5) inch		/ 100(90) mm					
OUTPUT	3 HP		/ 2.2 kW			HP	kW	
HEAD	9.5 M							
CAPACITY	0.8 m ³ /min							
PHASE/VOLTAGE	1 ϕ	220 V	230 V	240 V			ϕ	V
RATED CURRENT		15.0 A	14.6 A	14.6 A				A
POLE / R.P.M.	2 P		/ 2820 R.P.M.					
START METHOD	DIRECT							
INSULATION CLASS	B							
REMARK								



HCP PUMP MANUFACTURER CO.,LTD.

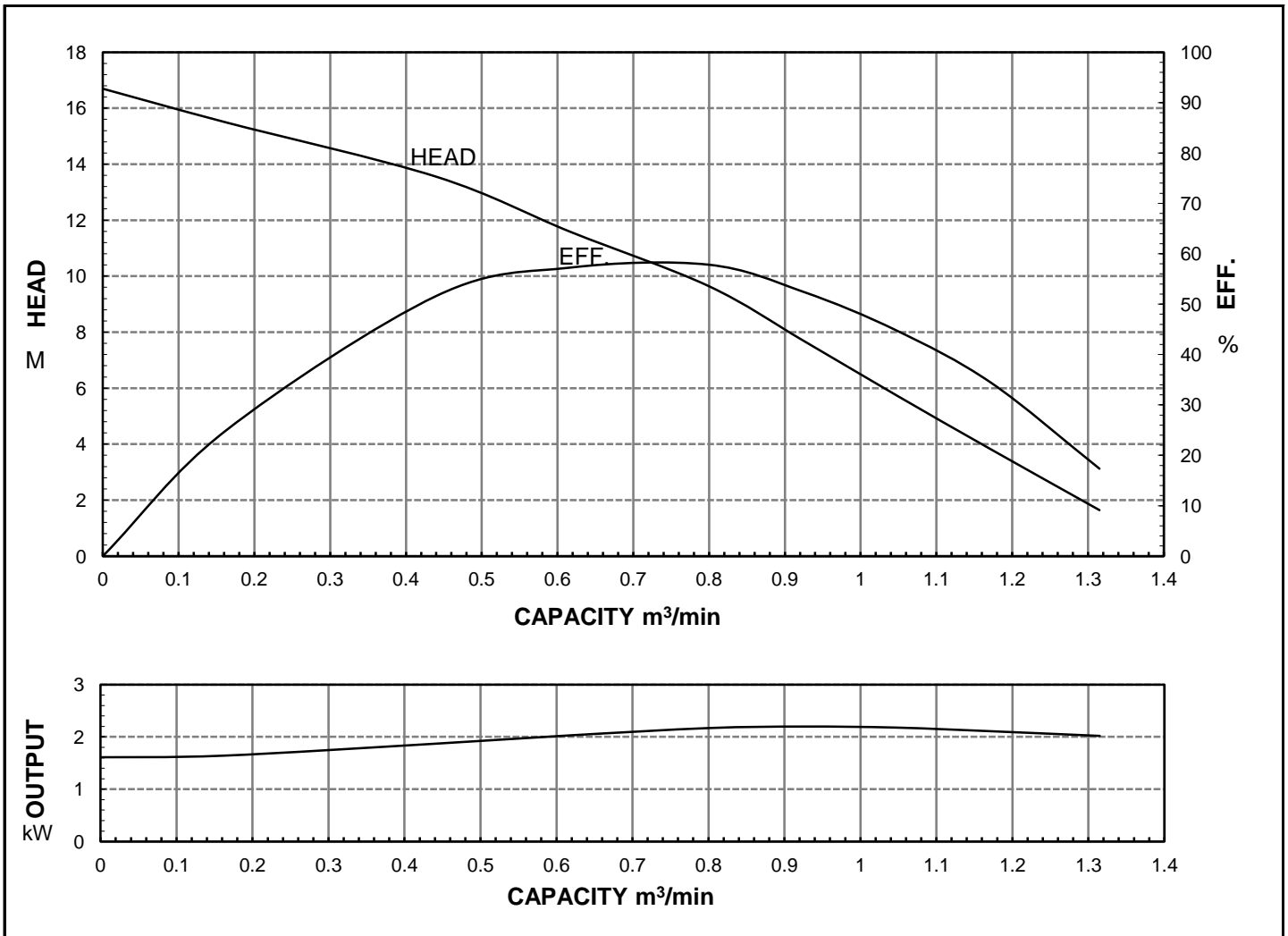


HCP PUMP

FILE NO. PC-M-E5-IC43B3

PUMP PERFORMANCE CURVES

MODEL	IC-43B				DATE:	2011.12
	STANDARD SPECIFICATION				REFERENCE SPECIFICATION	
FREQUENCY	50 Hz					
DISCHARGE	4(3.5)	inch	/	100(90)	mm	
OUTPUT	3	HP	/	2.2	HP	kW
HEAD	9.5 M					
CAPACITY	0.8 m ³ /min					
PHASE/VOLTAGE	3 ϕ	230 V	380 V	400 V	415 V	ϕ V
RATED CURRENT		8.7 A	5.2 A	5.1 A	4.8 A	A
POLE / R.P.M.	2	P	/	2820	R.P.M.	
START METHOD	DIRECT					
INSULATION CLASS	B					
REMARK						



HCP PUMP MANUFACTURER CO.,LTD.

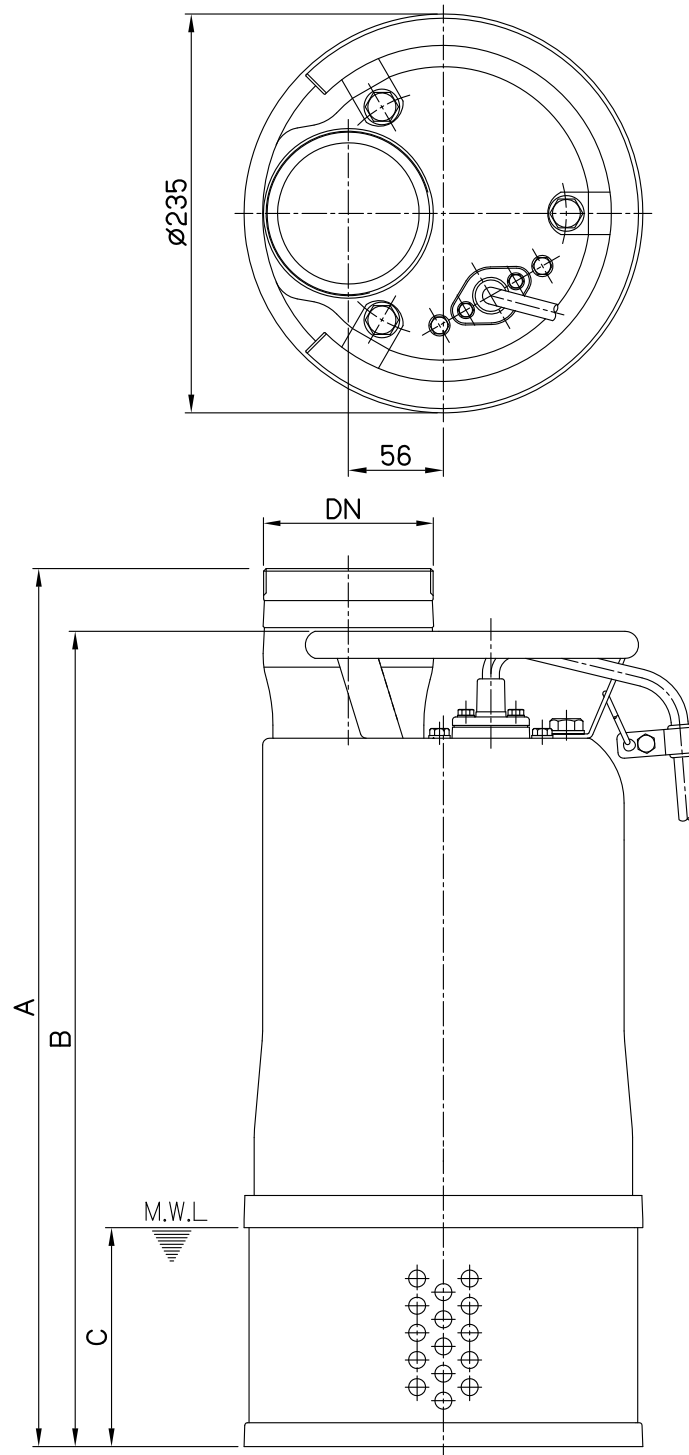
HCP PUMP

DIMENSIONAL DRAWING

No:DE-IC32B

Date:2011-01

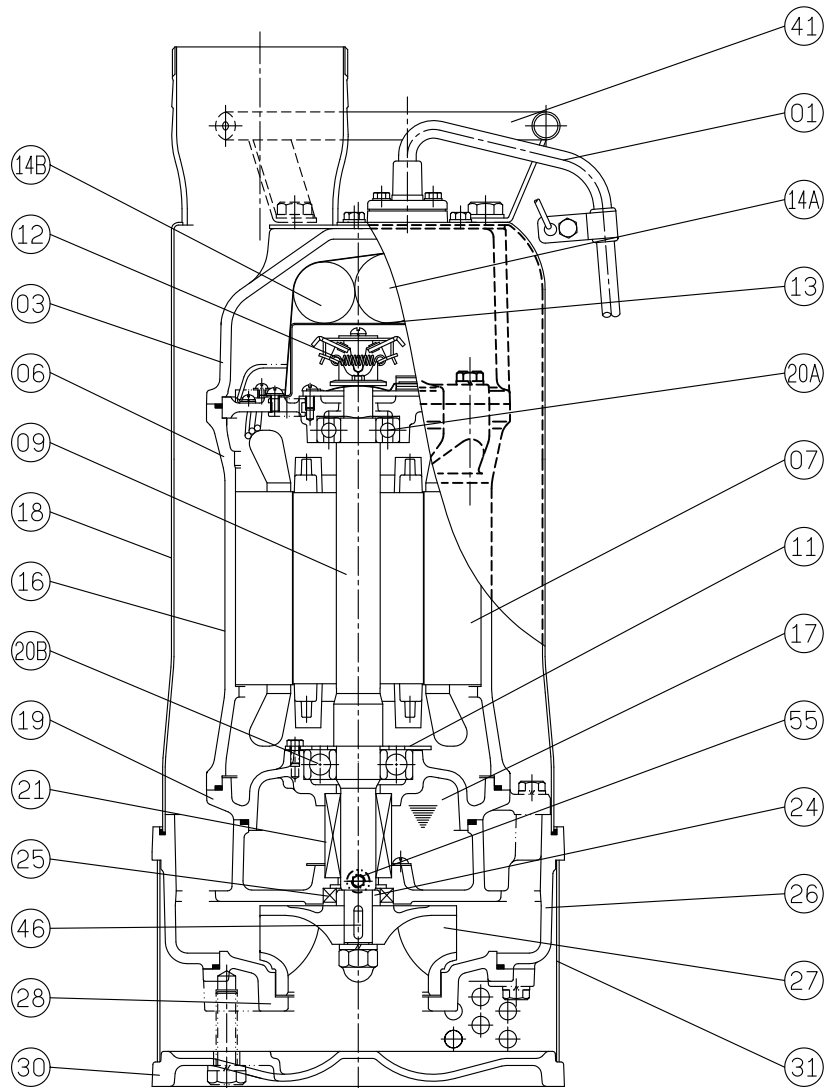
MODEL: IC-32B;IC-33B;IC-43B;IC-45B



MODEL	DN	A	B	C
IC-32B	80	503(548)	466(511)	115
IC-33B	80	503(578)	466(541)	115
IC-43B	100	518(593)	556(481)	130
IC-45B	100	548	511	130

M.W.L.: Minimun water level
 Remark: ()Dimensions in 1Ø

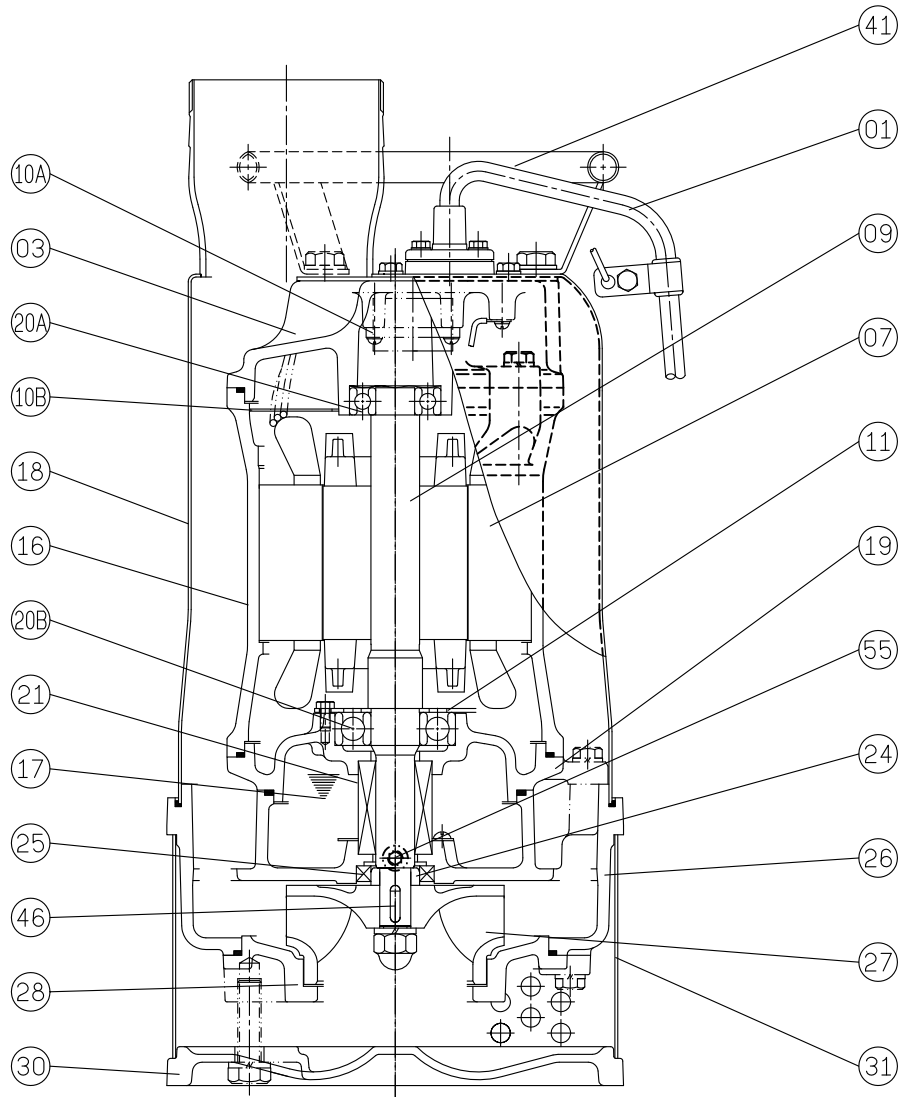
MODEL: IC-43B 1Ø



No.	Part name	Material	QTY	Remark
01	Cable		1	VCT/H07RN-F UL/CSA
03	Upper cover	FC-200	1	
06	Bracket	FC-200	1	
07	Stator		1	
09	Shaft(with Rotor)	SUS403	1	
11	Bearing fixer		1	
12	Centrifugal switch		1	
13	Centrifugal switch cover		1	
14A	Capacitor		1	
14B	Start capacitor		1	
16	Motor frame	FC-200	1	
17	Lubricant	Turbine oil #32	1	
18	Out cover	SUS304	1	
19	Bearing bracket	FC-200	1	
20A	Upper bearing		1	

No.	Part name	Material	QTY	Remark
20B	Lower bearing		1	
21	M. seal	CA VS CE SIC VS SIC	1	
24	Oil seal bush	SUS304	1	
25	Oil seal	NBR	1	
26	Casing	FC-200	1	
27	Impeller	Cr steel	1	
28	Casing cover	FC-200	1	
30	Footing	FC-200	1	
31	Strainer	SUS304	1	
41	Handle	SUS304	1	
46	Impeller key	SUS304	1	
47	Packing (1 set)		1	
55	Oil plug	SUS304	1	

MODEL: IC-43B;IC-45B 3Ø



No.	Part name	Material	QTY	Remark
01	Cable		1	VCT/H07RN-F UL/CSA
03	Upper cover	FC-200	1	
07	Stator		1	
09	Shaft(with Rotor)	SUS403	1	
10A	Auto-cut		1	
10B	Auto-cut plate		1	
11	Bearing fixer		1	
16	Motor frame	SUS304	1	
17	Lubricant	Turbine oil #32	1	
18	Out cover	SUS304	1	
19	Bearing bracket	FC-200	1	
20A	Upper bearing		1	
20B	Lower bearing		1	
21	M. seal	CA VS CE SIC VS SIC	1	

No.	Part name	Material	QTY	Remark
24	Oil seal bush	SUS304	1	
25	Oil seal	NBR	1	
26	Casing	FC-200	1	
27	Impeller	Cr steel	1	
28	Casing cover	FC-200	1	
30	Footing	FC-200	1	
31	Strainer	SUS304	1	
41	Handle	SUS304	1	
46	Impeller key	SUS304	1	
47	Packing (1 set)		1	
55	Oil plug	SUS304	1	