

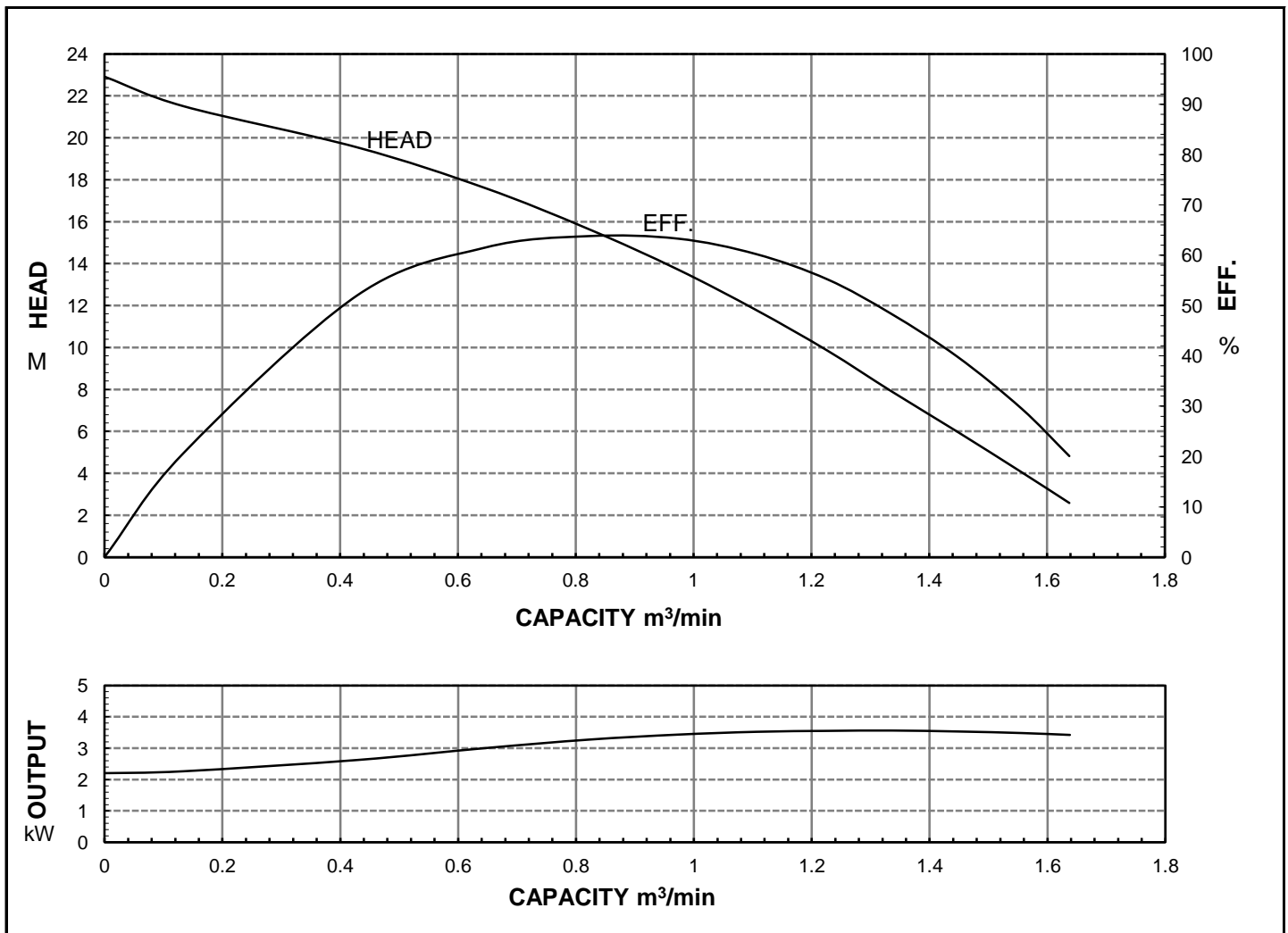


HCP PUMP

FILE NO. PC-M-E5-IC45B

PUMP PERFORMANCE CURVES

MODEL	IC-45B				DATE:	2011.12
	STANDARD SPECIFICATION				REFERENCE SPECIFICATION	
FREQUENCY	50				Hz	
DISCHARGE	4(3.5)	inch	/	100(90)	mm	
OUTPUT	5	HP	/	3.7	kW	HP kW
HEAD	13				M	
CAPACITY	1				m ³ /min	
PHASE/VOLTAGE	3 φ	230 V	380 V	400 V	415 V	φ V
RATED CURRENT		14.3 A	8.3 A	8.3 A	7.9 A	A
POLE / R.P.M.	2	P	/	2800	R.P.M.	
START METHOD	DIRECT					
INSULATION CLASS	F					
REMARK						



HCP PUMP MANUFACTURER CO.,LTD.

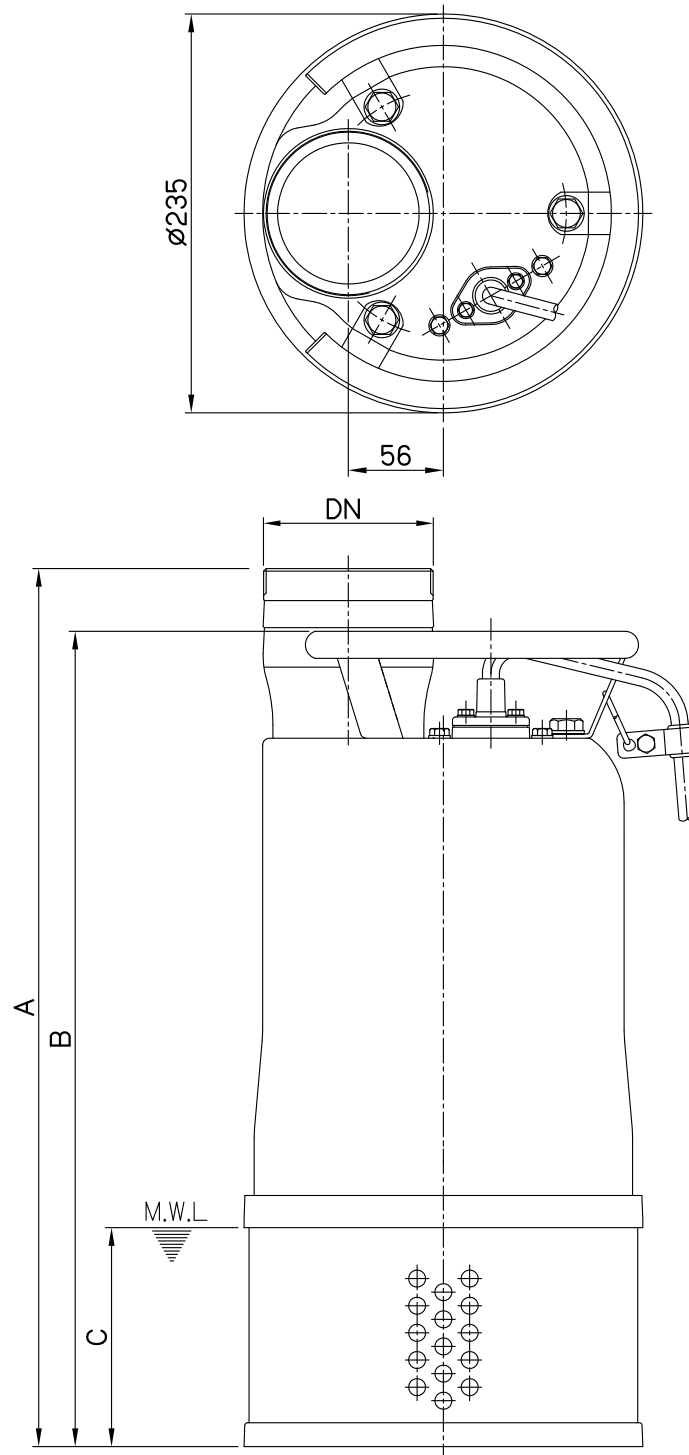
HCP PUMP

DIMENSIONAL DRAWING

No:DE-IC32B

Date:2011-01

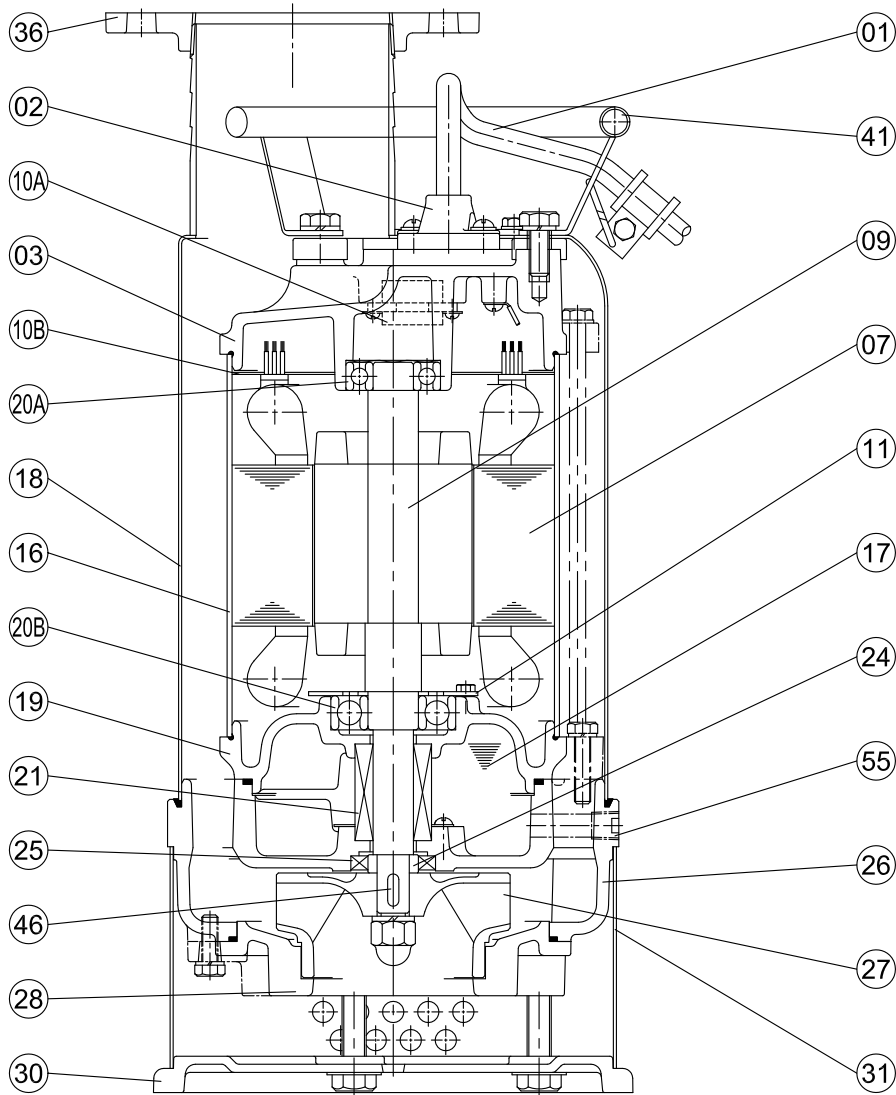
MODEL: IC-32B;IC-33B;IC-43B;IC-45B



MODEL	DN	A	B	C
IC-32B	80	503(548)	466(511)	115
IC-33B	80	503(578)	466(541)	115
IC-43B	100	518(593)	556(481)	130
IC-45B	100	548	511	130

M.W.L.: Minimun water level
 Remark: ()Dimensions in 1Ø

MODEL: IC-32A;IC-33A;IC-43A;IC-45 3Ø



No.	Part name	Material	QTY	Remark
01	Cable		1	VCT/H07RN-F UL/CSA
02	Cable base	ABS907	1	
03	Upper cover	FC-200	1	
07	Stator		1	
09	Shaft(with Rotor)	SUS403	1	
10A	Auto-cut		1	
10B	Auto-cut plate		1	
11	Bearing fixer	SS41	1	
16	Motor frame	SUS304	1	
17	Lubricant	Turbine oil #32	1	
18	Out cover	SUS304	1	
19	Bearing bracket	FC-200	1	
20A	Upper bearing		1	
20B	Lower bearing		1	
21	M. seal	CA VS CE SIC VS SIC	1	

No.	Part name	Material	QTY	Remark
24	Oil seal bush	SUS304	1	
25	Oil seal	NBR	1	
26	Casing	FC-200	1	
27	Impeller	Bronze	1	
28	Casing cover	FC-200	1	
30	Footing	FC-200	1	
31	Strainer	SUS304	1	
36	Flange	FC-200	1	
41	Handle	SUS304	1	
46	Impeller key	SUS304	1	
47	Packing (1 set)		1	
55	Oil plug	SUS304	1	