

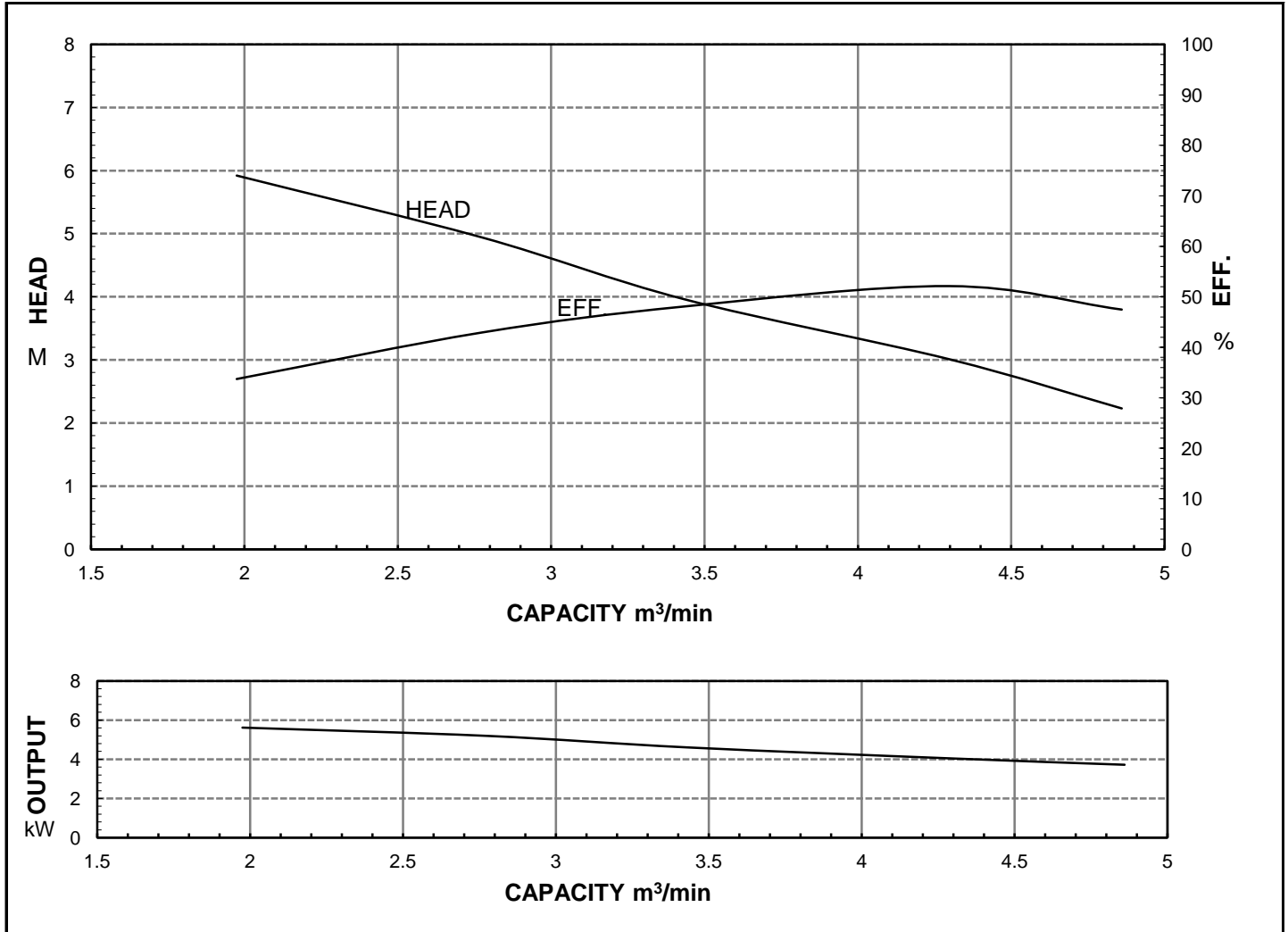


HCP PUMP

FILE NO PC-M-E5-L200A

PUMP PERFORMANCE CURVES

MODEL	L-200A				DATE:	2011.12
	STANDARD SPECIFICATION				REFERENCE SPECIFICATION	
FREQUENCY	50			Hz		
DISCHARGE	8	inch	/	200	mm	
OUTPUT	7.5	HP	/	5.5	kW	HP kW
HEAD	4			M		
CAPACITY	3.5			m ³ /min		
PHASE/VOLTAGE	3 φ	230 V	380 V	400 V	415 V	φ V
RATED CURRENT		21.8 A	12.7 A	12.6 A	12.0 A	A
POLE / R.P.M.	4	P	/	1430	R.P.M.	
START METHOD	DIRECT					
INSULATION CLASS	F					
REMARK						



HCP PUMP MANUFACTURER CO.,LTD.

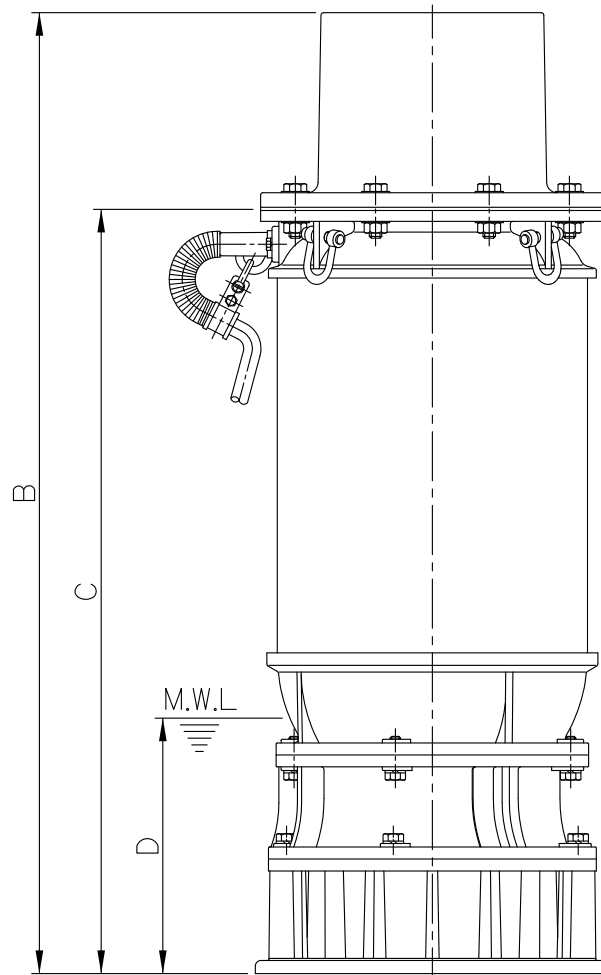
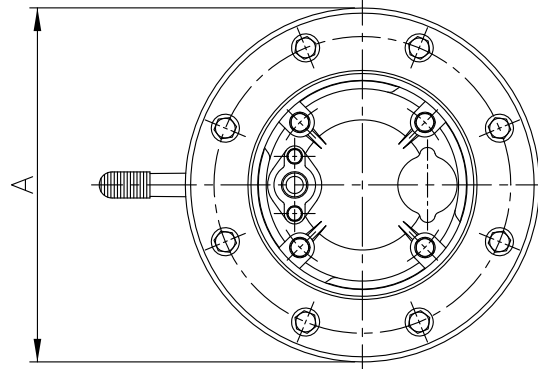
HCP PUMP

DIMENSIONAL DRAWING

No:DE-L200A-1

Date:2011-03

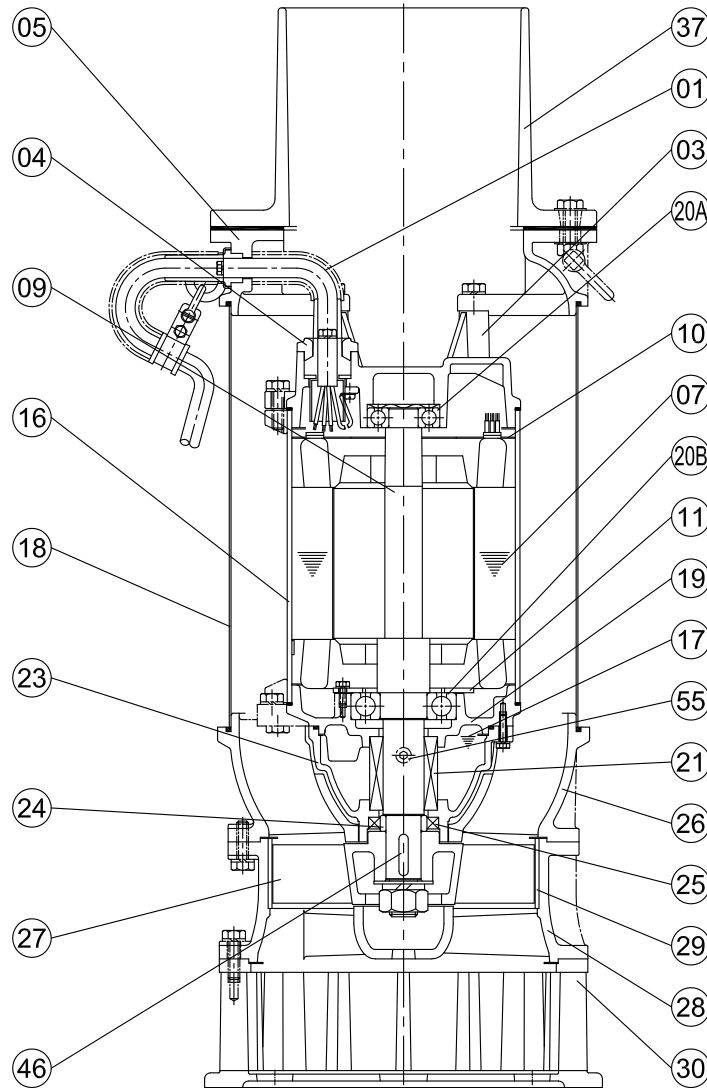
MODEL:L-200A;L-250A



Model	A	B	C	D
L-200A	340	923	733	250
L-250A	380	1015	802	300

M.W.L: Minimun water level

MODEL: L-200A;L-250A



No.	Part name	Material	QTY	Remark
01	Cable		1	VCT/H07RN-F UL / CSA
03	Upper cover	Bronze	1	
04	Cable base cover	BC6	1	
05	Outlet disk	FC-200	1	
07	Stator		1	
09	Shaft(with Rotor)	S45C SUS304	1	
10	Auto-cut plate		1	
11	Bearing fixer	SS41	1	
16	Motor frame	SUS304	1	
17	Lubricant	Turbine oil #32	1	
18	Out cover	SUS304	1	
19	Bearing bracket	BC6	1	
20A	Upper bearing		1	
20B	Lower bearing		1	
21	M. seal	CA VS CE	1	

No.	Part name	Material	QTY	Remark
23	M. seal bracket	BC6	1	
24	Oil seal bush	SUS304	1	
25	Oil seal	NBR	1	
26	Casing	FC-200	1	
27	Impeller	ALBC3	1	
28	Casing cover	FC-200	1	
29	Impeller bush	SUS304	1	
30	Footing	FC-200	1	
37	Bend outlet	FC-200	1	
46	Impeller key	SUS304	1	
47	Packing (1 set)		1	
55	Oil plug	SUS304	1	