

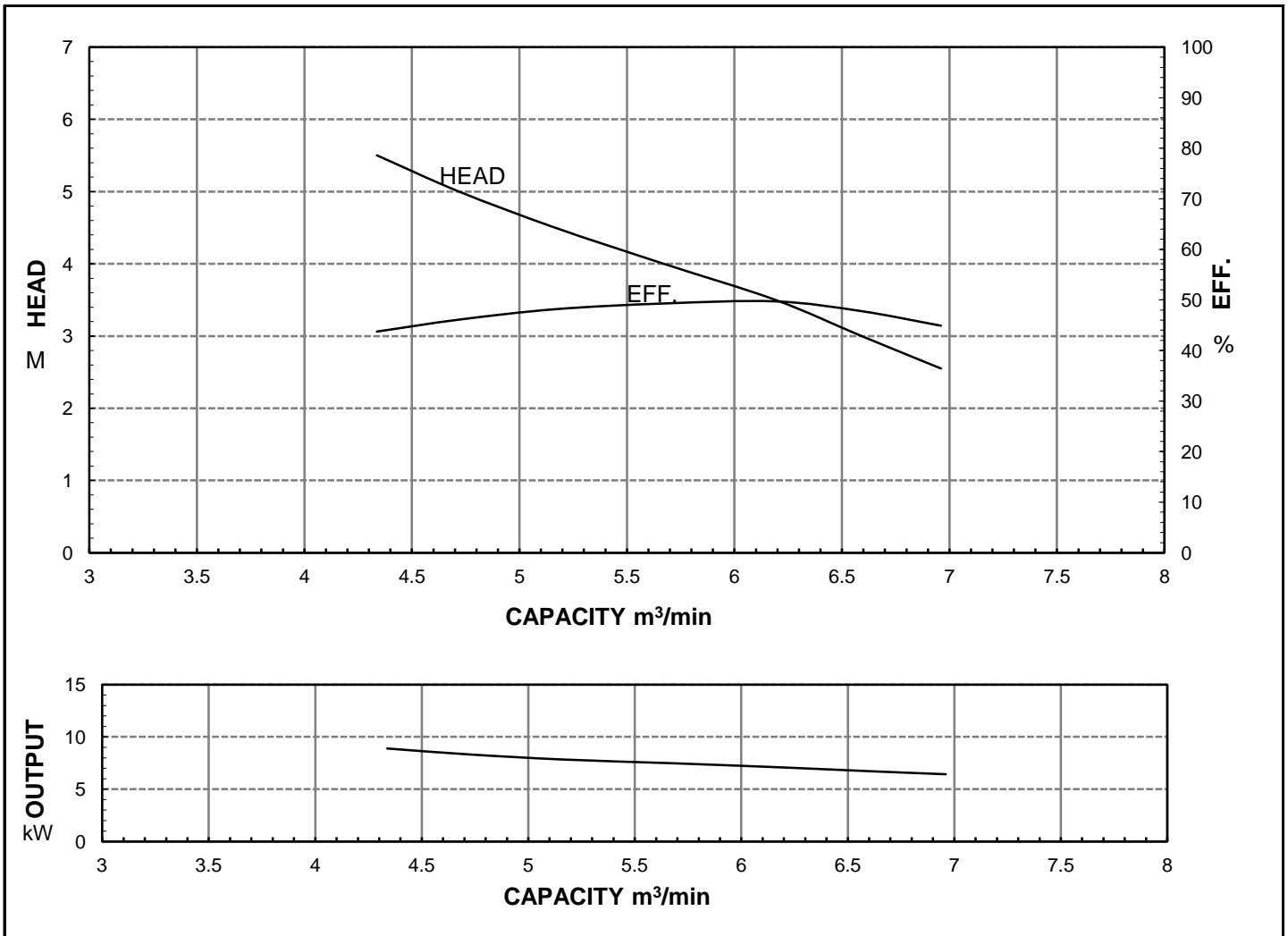


# HCP PUMP

FILE NO PC-M-E5-L250A

## PUMP PERFORMANCE CURVES

|                  |                        |        |        |                     |                         |            |
|------------------|------------------------|--------|--------|---------------------|-------------------------|------------|
| MODEL            | L-250A                 |        |        |                     | DATE:                   | 2011.12    |
|                  | STANDARD SPECIFICATION |        |        |                     | REFERENCE SPECIFICATION |            |
| FREQUENCY        | 50                     |        |        | Hz                  |                         |            |
| DISCHARGE        | 10                     | inch   | /      | 250                 | mm                      |            |
| OUTPUT           | 10                     | HP     | /      | 7.5                 | kW                      | HP      kW |
| HEAD             | 4                      |        |        | M                   |                         |            |
| CAPACITY         | 5.5                    |        |        | m <sup>3</sup> /min |                         |            |
| PHASE/VOLTAGE    | 3 φ                    | 230 V  | 380 V  | 400 V               | 415 V                   | φ      V   |
| RATED CURRENT    |                        | 27.6 A | 16.2 A | 16.0 A              | 15.2 A                  | A          |
| POLE / R.P.M.    | 4                      | P      | /      | 1440                | R.P.M.                  |            |
| START METHOD     | DIRECT                 |        |        |                     |                         |            |
| INSULATION CLASS | F                      |        |        |                     |                         |            |
| REMARK           |                        |        |        |                     |                         |            |



**HCP PUMP MANUFACTURER CO.,LTD.**

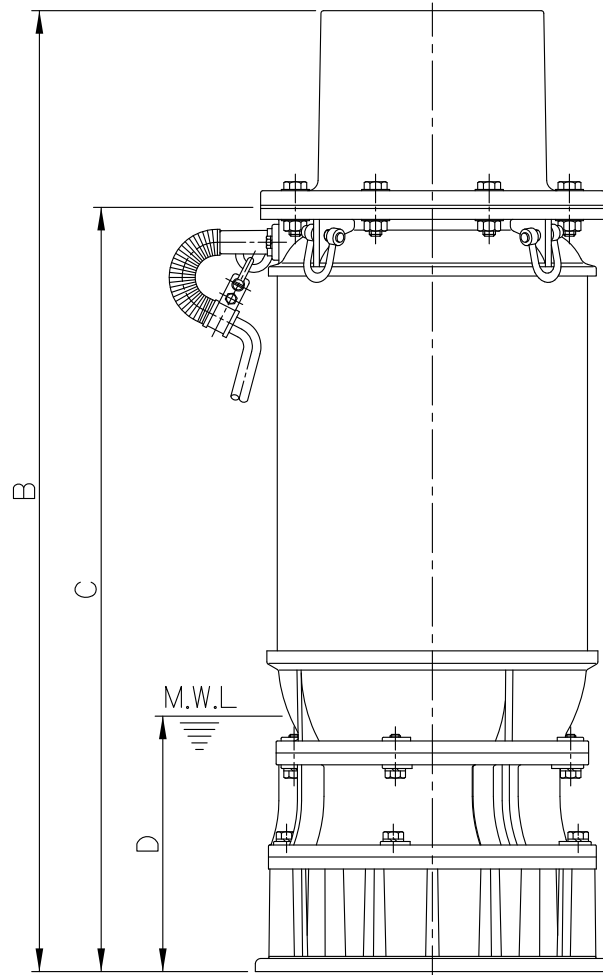
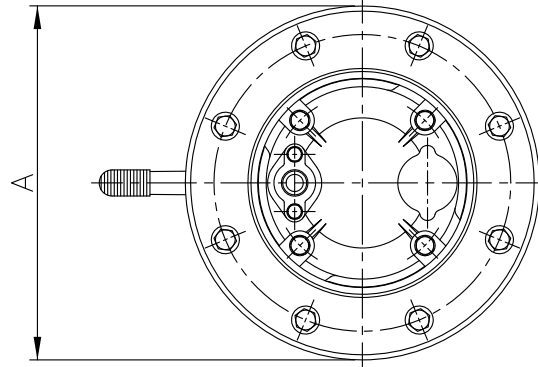
HCP PUMP

DIMENSIONAL DRAWING

No:DE-L200A-1

Date:2011-03

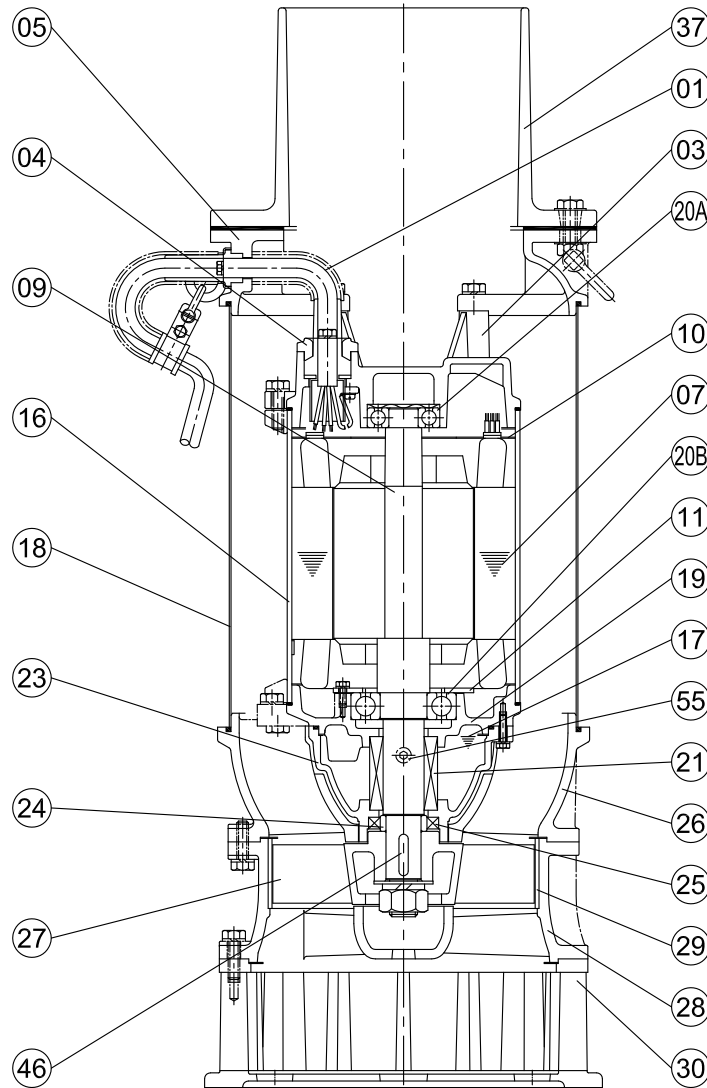
MODEL:L-200A;L-250A



| Model  | A   | B    | C   | D   |
|--------|-----|------|-----|-----|
| L-200A | 340 | 923  | 733 | 250 |
| L-250A | 380 | 1015 | 802 | 300 |

M.W.L: Minimun water level

## MODEL: L-200A;L-250A



| No. | Part name         | Material           | QTY | Remark                  |
|-----|-------------------|--------------------|-----|-------------------------|
| 01  | Cable             |                    | 1   | VCT/H07RN-F<br>UL / CSA |
| 03  | Upper cover       | Bronze             | 1   |                         |
| 04  | Cable base cover  | BC6                | 1   |                         |
| 05  | Outlet disk       | FC-200             | 1   |                         |
| 07  | Stator            |                    | 1   |                         |
| 09  | Shaft(with Rotor) | S45C<br>SUS304     | 1   |                         |
| 10  | Auto-cut plate    |                    | 1   |                         |
| 11  | Bearing fixer     | SS41               | 1   |                         |
| 16  | Motor frame       | SUS304             | 1   |                         |
| 17  | Lubricant         | Turbine oil<br>#32 | 1   |                         |
| 18  | Out cover         | SUS304             | 1   |                         |
| 19  | Bearing bracket   | BC6                | 1   |                         |
| 20A | Upper bearing     |                    | 1   |                         |
| 20B | Lower bearing     |                    | 1   |                         |
| 21  | M. seal           | CA VS CE           | 1   |                         |

| No. | Part name       | Material | QTY | Remark |
|-----|-----------------|----------|-----|--------|
| 23  | M. seal bracket | BC6      | 1   |        |
| 24  | Oil seal bush   | SUS304   | 1   |        |
| 25  | Oil seal        | NBR      | 1   |        |
| 26  | Casing          | FC-200   | 1   |        |
| 27  | Impeller        | ALBC3    | 1   |        |
| 28  | Casing cover    | FC-200   | 1   |        |
| 29  | Impeller bush   | SUS304   | 1   |        |
| 30  | Footing         | FC-200   | 1   |        |
| 37  | Bend outlet     | FC-200   | 1   |        |
| 46  | Impeller key    | SUS304   | 1   |        |
| 47  | Packing (1 set) |          | 1   |        |
| 55  | Oil plug        | SUS304   | 1   |        |
|     |                 |          |     |        |
|     |                 |          |     |        |
|     |                 |          |     |        |