

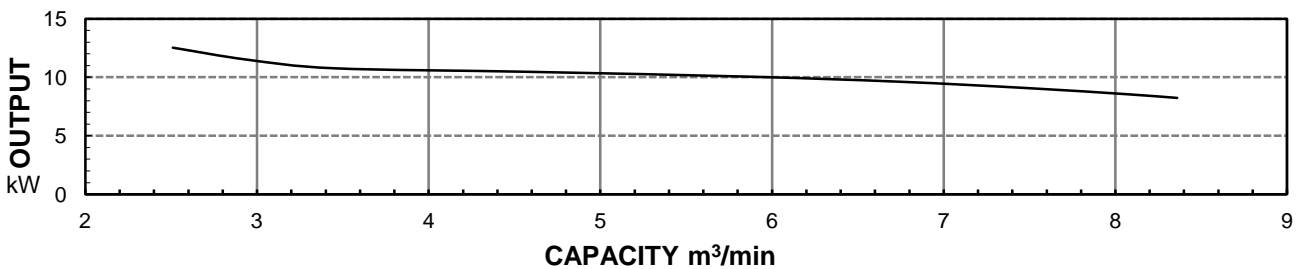
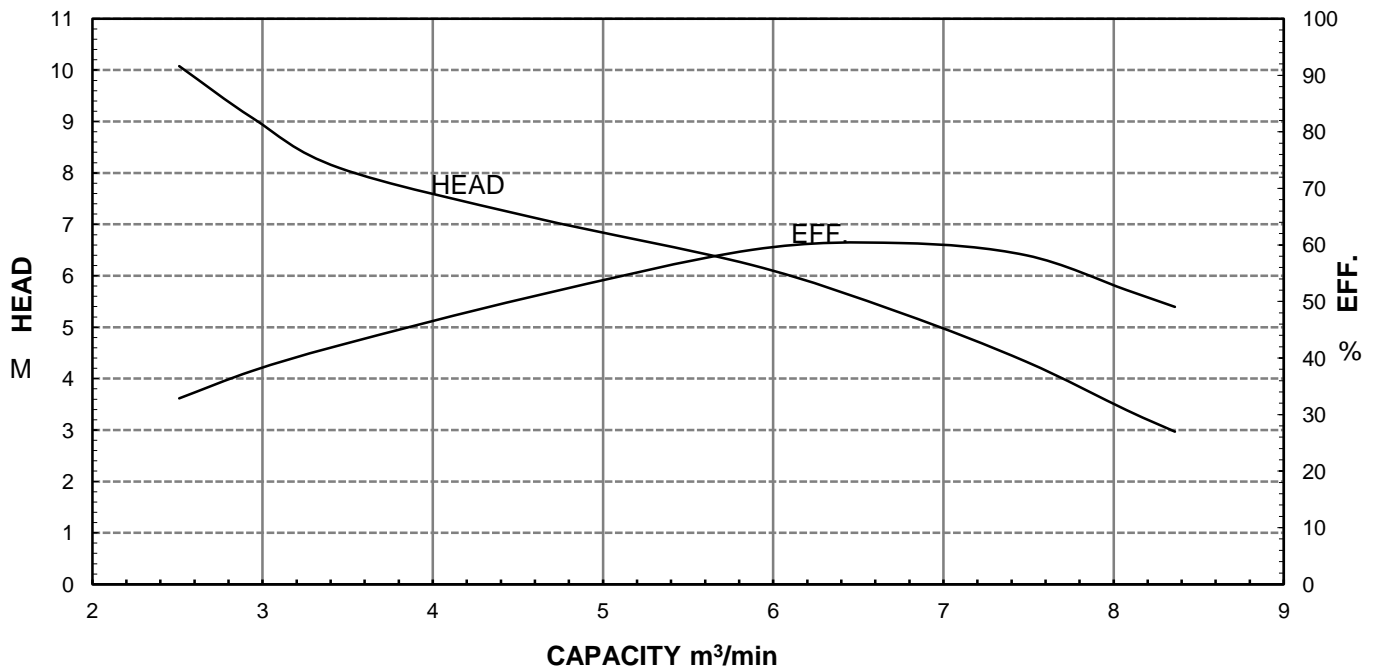


# HCP PUMP

FILE NO PC-M-E5-L300A

## PUMP PERFORMANCE CURVES

MODEL	L-300A				DATE:	2011.12
	STANDARD SPECIFICATION				REFERENCE SPECIFICATION	
FREQUENCY	50 Hz					
DISCHARGE	12 inch	/		300 mm		
OUTPUT	15 HP	/		11 kW	HP	kW
HEAD	4.5 M					
CAPACITY	7 m <sup>3</sup> /min					
PHASE/VOLTAGE	3 φ	230 V	380 V	400 V	415 V	φ V
RATED CURRENT	-	A	23.0 A	22.0 A	21.0 A	A
POLE / R.P.M.	4 P	/		1450 R.P.M.		
START METHOD	DIRECT					
INSULATION CLASS	F					
REMARK						



HCP PUMP MANUFACTURER CO.,LTD.

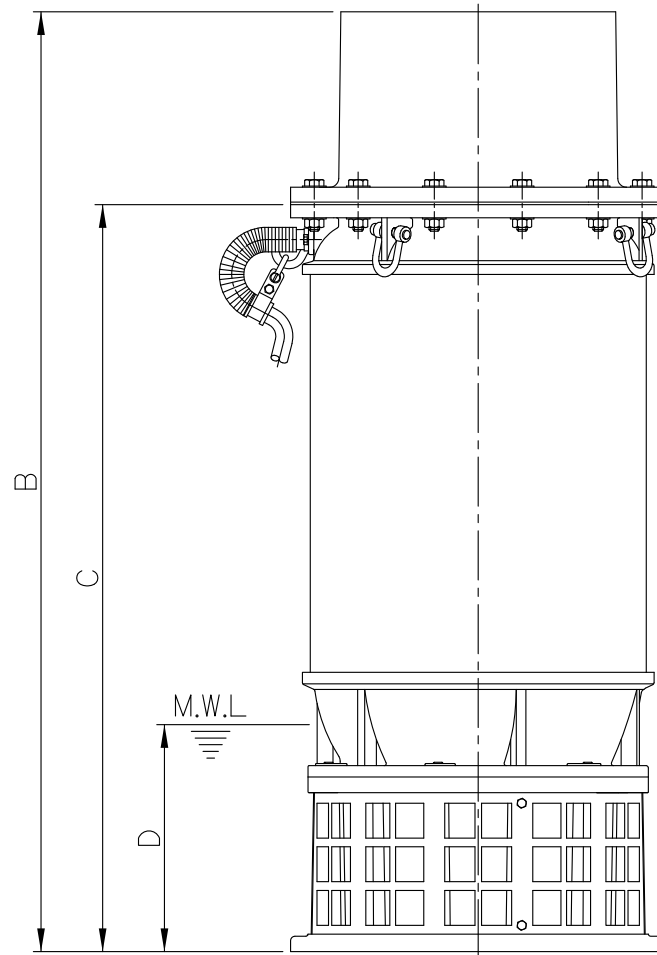
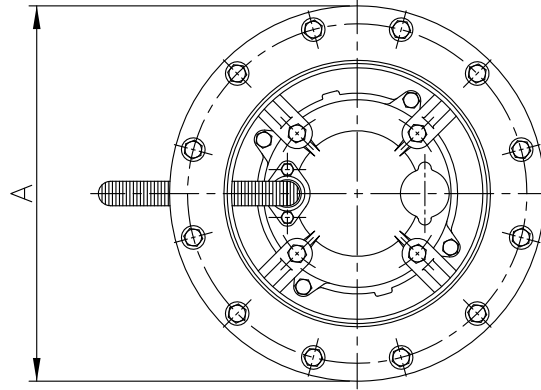
HCP PUMP

DIMENSIONAL DRAWING

No:DE-L300A-1

Date:2011-03

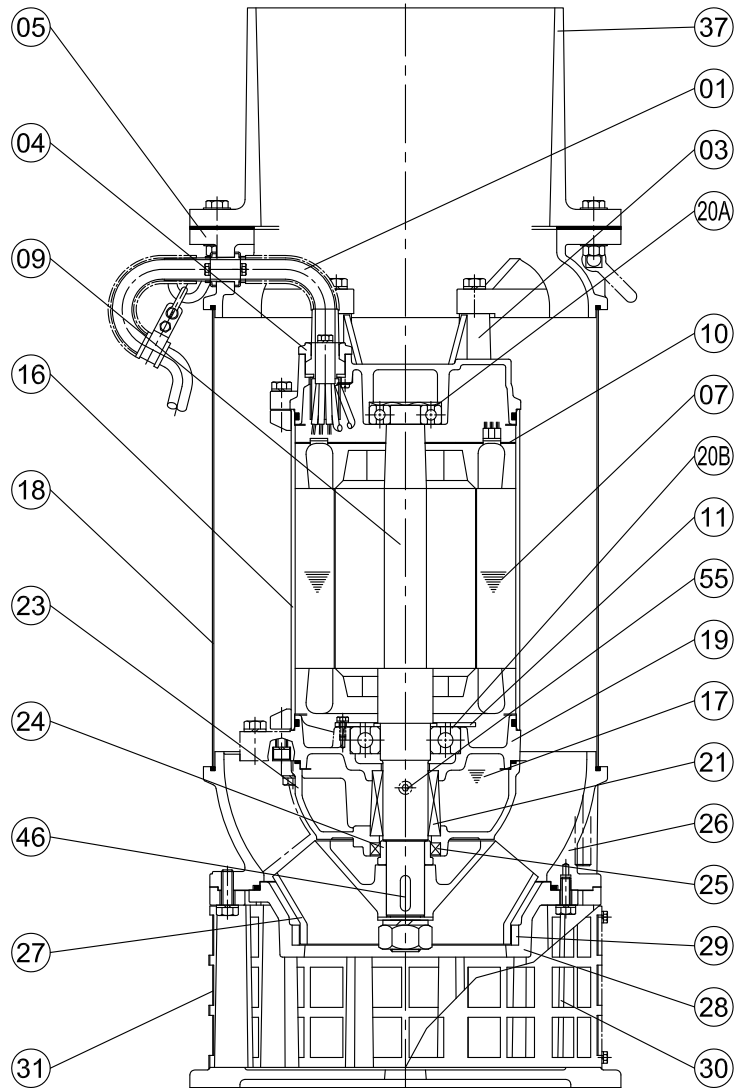
MODEL:L-300A;L-1220(60Hz)



Model	A	B	C	D
L-300A	430	1077	856	260
L-1220(60Hz)	430	1080	888	260

M.W.L.: Minimun water level

## MODEL: L-300A;L-1220



No.	Part name	Material	QTY	Remark
01	Cable		1	VCT/ H07RN-F UL / CSA
03	Upper cover	Bronze	1	
04	Cable base cover	BC6	1	
05	Outlet disk	FC-200	1	
07	Stator		1	
09	Shaft(with Rotor)	SUS403+ SUS304	1	
10	Auto-cut plate		1	
11	Bearing fixer	SS41	1	
16	Motor frame	SUS304	1	
17	Lubricant	Turbine oil #32	1	
18	Out cover	SUS304	1	
19	Bearing bracket	BC6	1	
20A	Upper bearing		1	
20B	Lower bearing		1	
21	M. seal	CA VS CE	1	
23	M. seal bracket	BC6	1	

No.	Part name	Material	QTY	Remark
24	Oil seal bush	SUS304	1	
25	Oil seal	NBR	1	
26	Casing	FC-200	1	
27	Impeller	ALBC3	1	
28	Casing cover	FC-200	1	
29	Impeller bush	SUS304	1	
30	Footing	FC-200	1	
31	Strainer	SUS304	1	
37	Bend outlet	FC-200	1	
46	Impeller key	SUS304	1	
47	Packing (1 set)		1	
55	Oil plug	SUS304	1	