

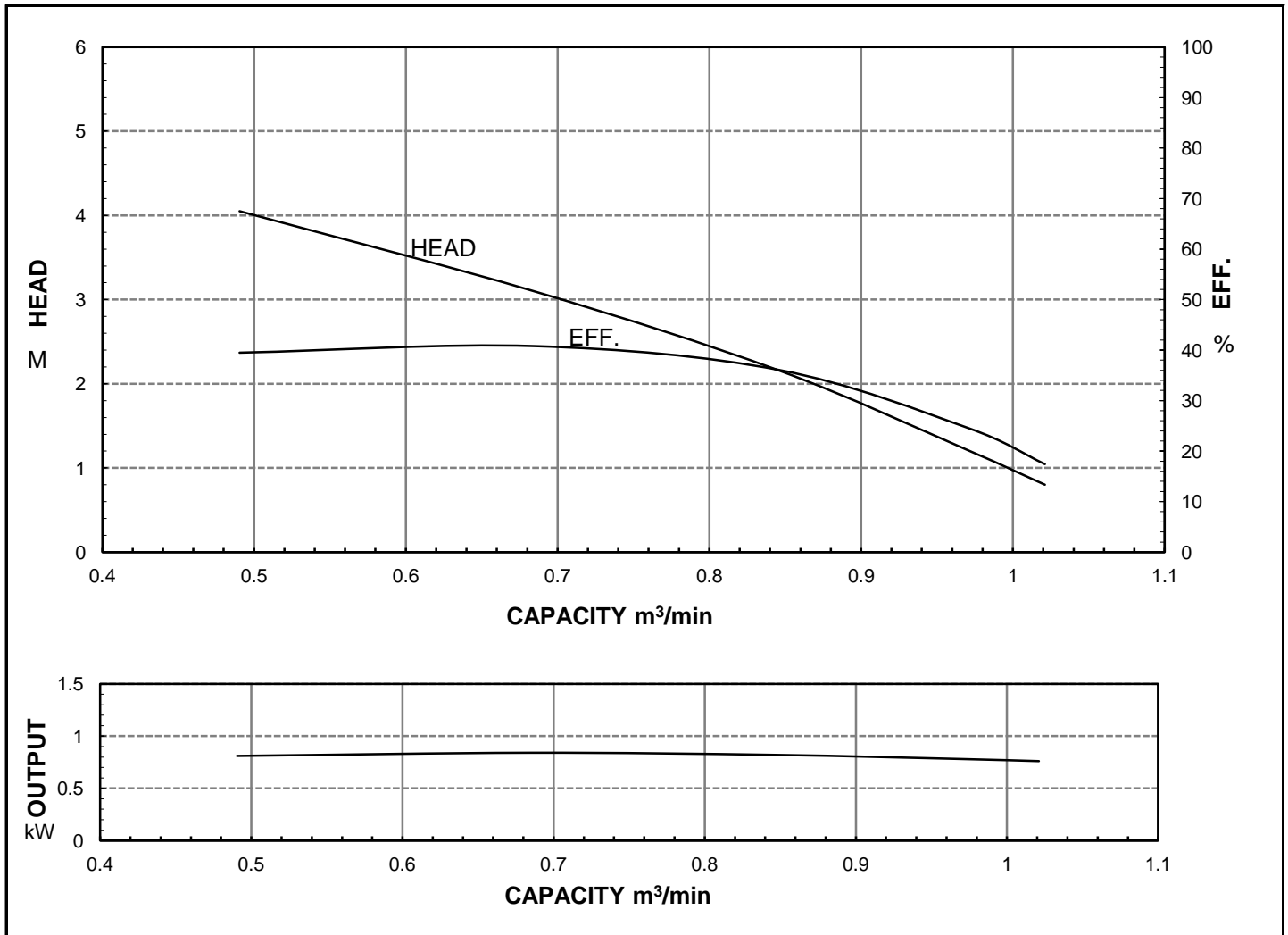


HCP PUMP

FILE NO PC-M-E5-L411

PUMP PERFORMANCE CURVES

MODEL	L-41					DATE:	2011.12	
	STANDARD SPECIFICATION					REFERENCE SPECIFICATION		
FREQUENCY	50					Hz		
DISCHARGE	4(3.5)	inch	/	100(90)	mm			
OUTPUT	1	HP	/	0.75	kW	HP	kW	
HEAD	3					M		
CAPACITY	0.7					m ³ /min		
PHASE/VOLTAGE	1 φ	220 V	230 V	240 V			φ	V
RATED CURRENT		5.4 A	5.2 A	5.0 A				A
POLE / R.P.M.	2	P	/	2800	R.P.M.			
START METHOD	DIRECT							
INSULATION CLASS	B							
REMARK								



HCP PUMP MANUFACTURER CO.,LTD.

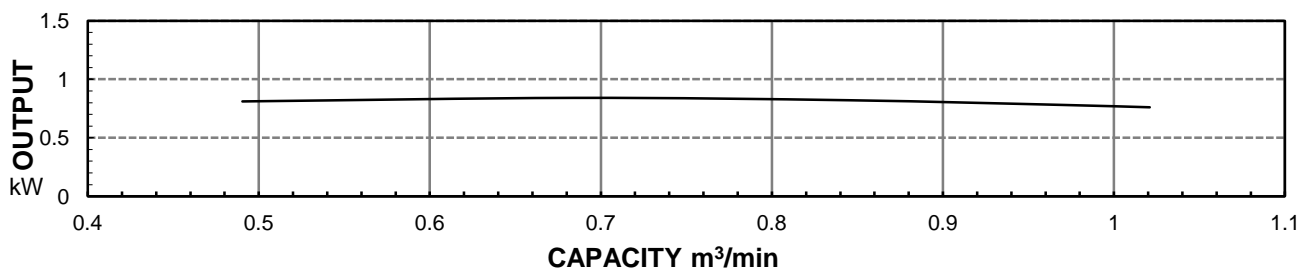
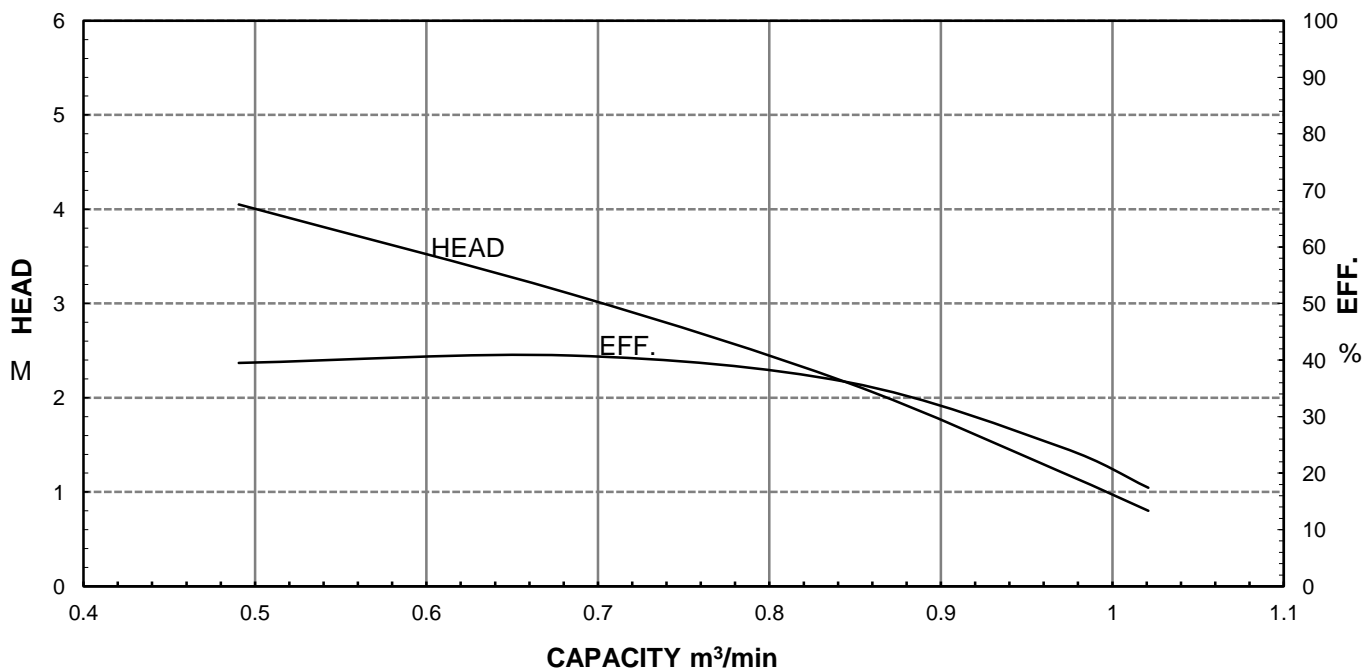


HCP PUMP

FILE NO PC-M-E5-L413

PUMP PERFORMANCE CURVES

MODEL	L-41				DATE:	2011.12
	STANDARD SPECIFICATION				REFERENCE SPECIFICATION	
FREQUENCY	50			Hz		
DISCHARGE	4(3.5)	inch	/	100(90)	mm	
OUTPUT	1	HP	/	0.75	kW	HP kW
HEAD	3			M		
CAPACITY	0.7			m ³ /min		
PHASE/VOLTAGE	3 φ	230 V	380 V	400 V	415 V	φ V
RATED CURRENT		3.3 A	2.0 A	1.9 A	1.8 A	A
POLE / R.P.M.	2	P	/	2800	R.P.M.	
START METHOD	DIRECT					
INSULATION CLASS	B					
REMARK						



HCP PUMP MANUFACTURER CO.,LTD.

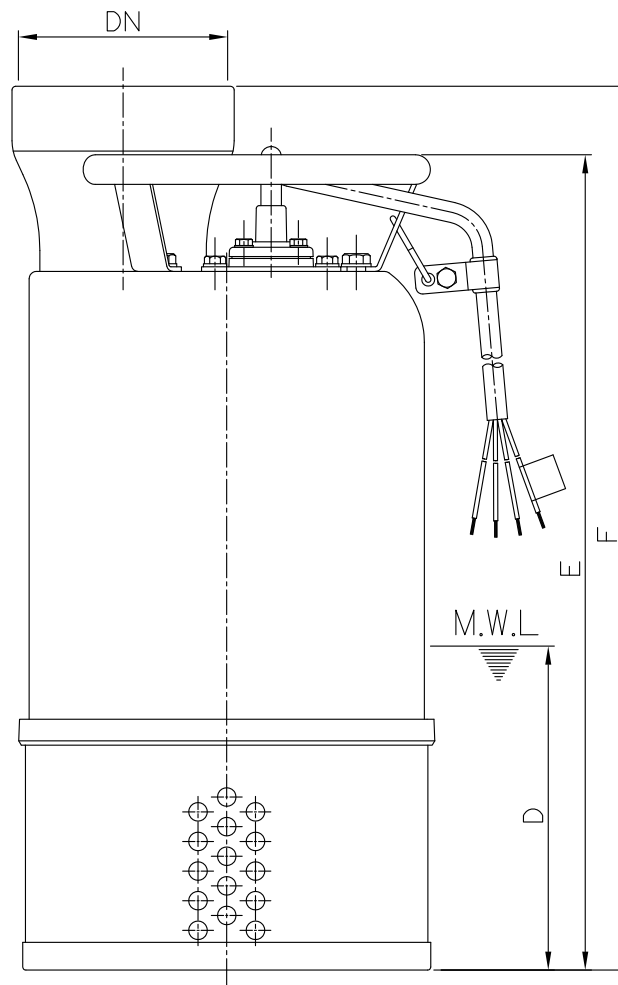
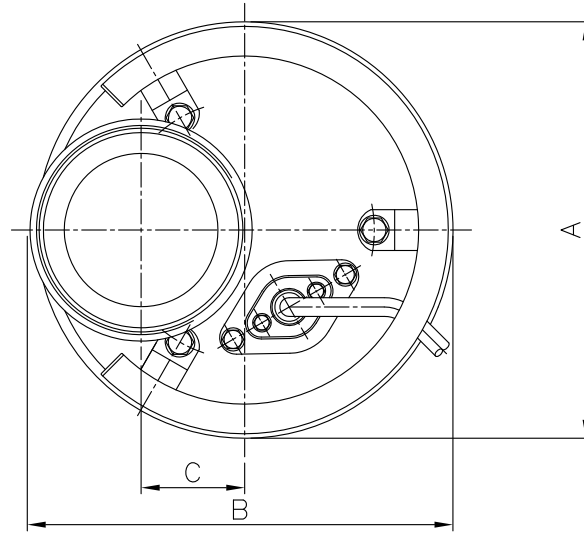
HCP PUMP

DIMENSIONAL DRAWING

No:DE-L41A

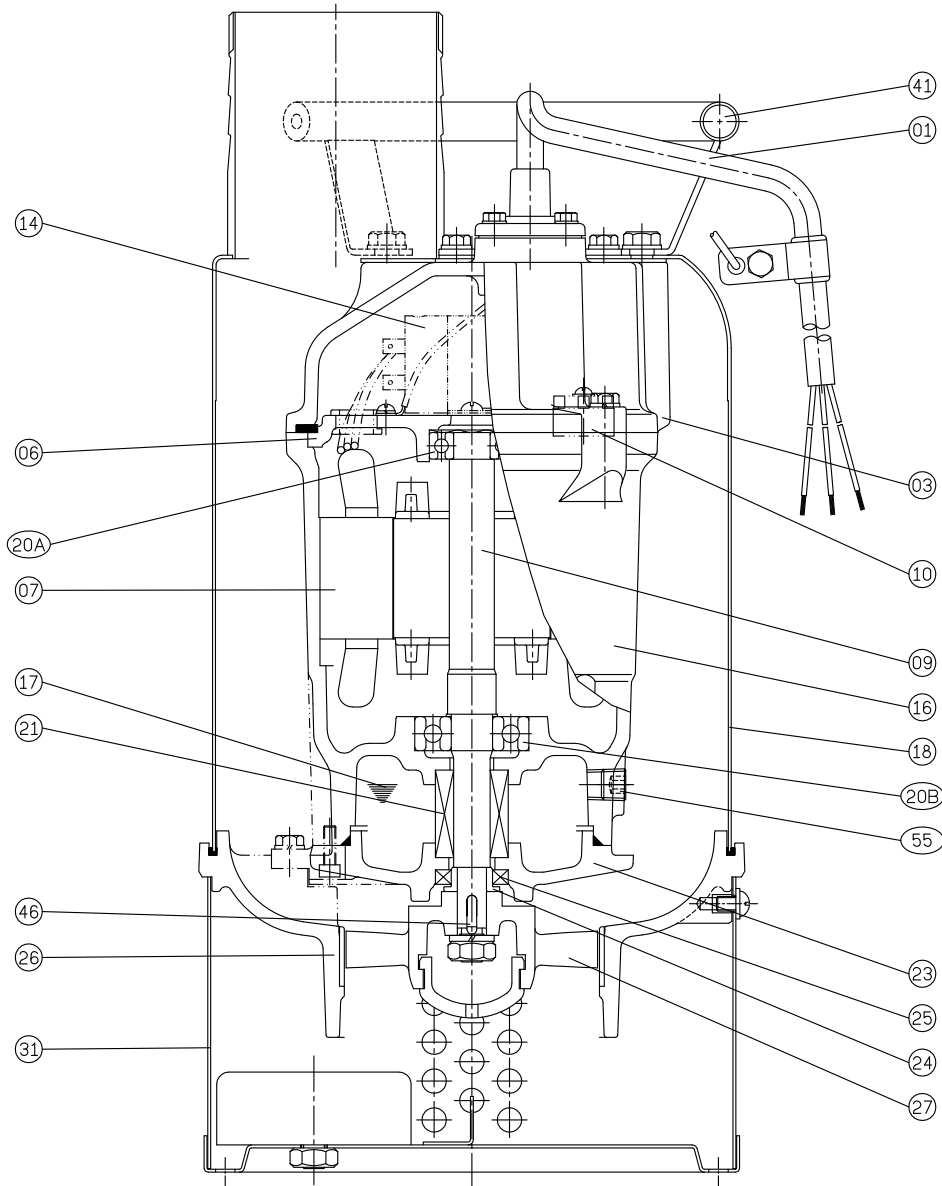
Date:2012-10

MODEL:L-41A



Model	DN	A	B	C	D	E	F
L-41A	90	225	230	56	175	441	478
	100	225	230	56	175	441	478

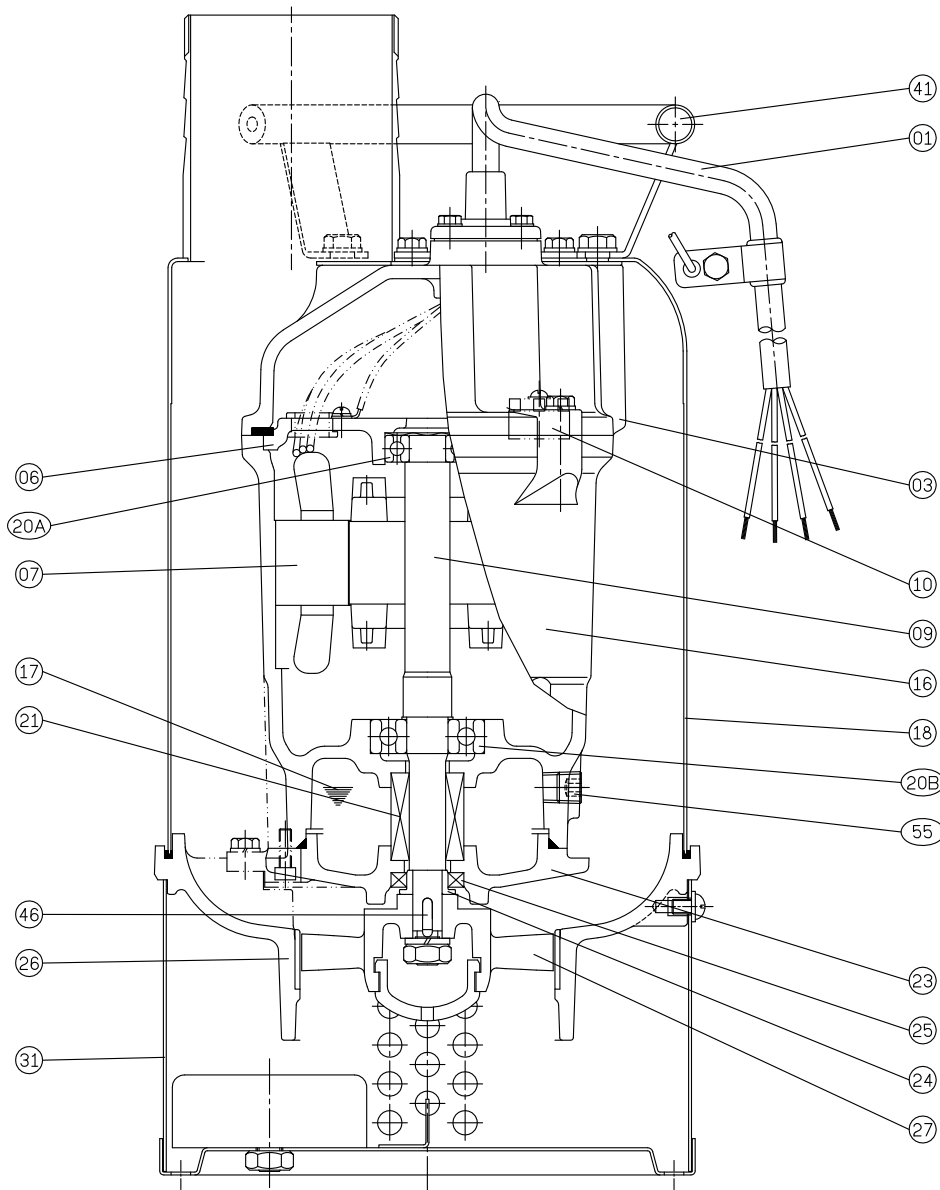
MODEL:L-41A,L-305A 1Ø



No.	Part name	Material	QTY	Remark
01	Cable		1	
03	Upper cover	FC-200	1	
06	Bracket	FC-200	1	
07	Stator		1	
09	Shaft(with Rotor)	S45C+SUS304	1	
10	Auto-cut		1	
14	Capacitor		1	
16	Motor frame	FC-200	1	
17	Lubricant		1	
18	Out cover	SUS304	1	
20A	Upper bearing		1	
20B	Lower bearing		1	

No.	Part name	Material	QTY	Remark
21	M. seal	CA VS CE SIC VS SIC	1	
23	M. seal bracket	FC-200	1	
24	Oil seal bush	SUS304L	1	
25	Oil seal	304+NBR	1	
26	Casing	FC-200	1	
27	Impeller	ALBC3	1	
31	Strainer	SUS304	1	
41	Handle	SUS304	1	
46	Impeller key	SUS304	1	
47	Packing (1 set)		1	
55	Oil plug	SUS304	1	

MODEL:L-41A,L-305A 3Ø



No.	Part name	Material	QTY	Remark
01	Cable		1	
03	Upper cover	FC-200	1	
06	Bracket	FC-200	1	
07	Stator		1	
09	Shaft(with Rotor)	S45C+SUS304	1	
10	Auto-cut		1	
16	Motor frame	FC-200	1	
17	Lubricant		1	
18	Out cover	SUS304	1	
20A	Upper bearing		1	
20B	Lower bearing		1	

No.	Part name	Material	QTY	Remark
21	M. seal	CA VS CE SIC VS SIC	1	
23	M. seal bracket	FC-200	1	
24	Oil seal bush	SUS304L	1	
25	Oil seal	304+NBR	1	
26	Casing	FC-200	1	
27	Impeller	ALBC3	1	
31	Strainer	SUS304	1	
41	Handle	SUS304	1	
46	Impeller key	SUS304	1	
47	Packing (1 set)		1	
55	Oil plug	SUS304	1	