

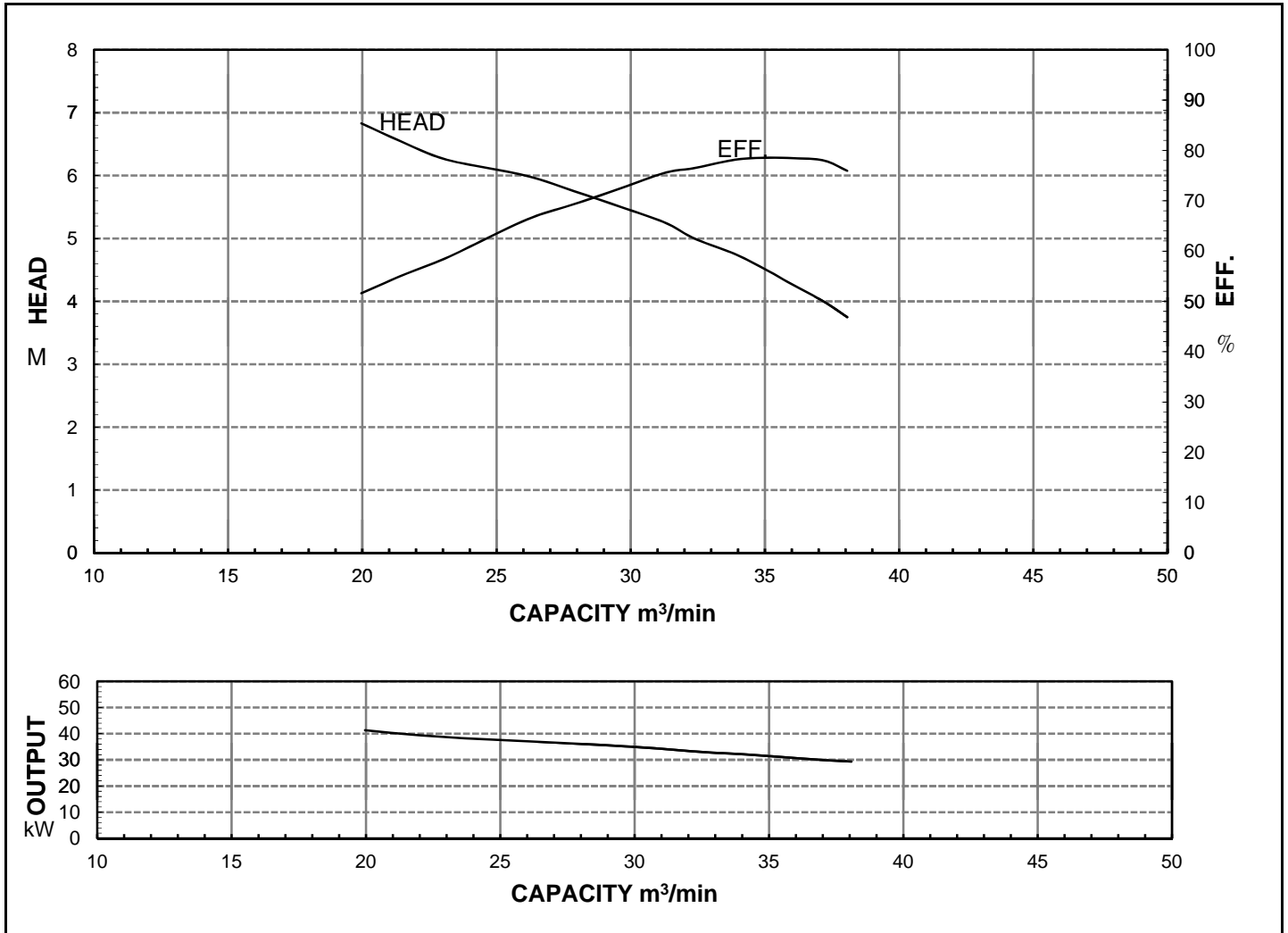


HCP PUMP

FILE NO. PC-M-E5-LA2250

PUMP PERFORMANCE CURVES

MODEL	LA-2250				DATE:	2011.12
	STANDARD SPECIFICATION				REFERENCE SPECIFICATION	
FREQUENCY	50 Hz					
DISCHARGE	22	inch	/	550	mm	
OUTPUT	50	HP	/	37	kW	HP kW
HEAD	4				M	
CAPACITY	38				m ³ /min	
PHASE/VOLTAGE	3 φ	230 V	380 V	400 V	415 V	φ V
RATED CURRENT	-	A	86.0 A	-	A	- A
POLE / R.P.M.	8	P	/	750	R.P.M.	
START METHOD	Y-Δ					
INSULATION CLASS	F					
REMARK						



HCP PUMP MANUFACTURER CO.,LTD.

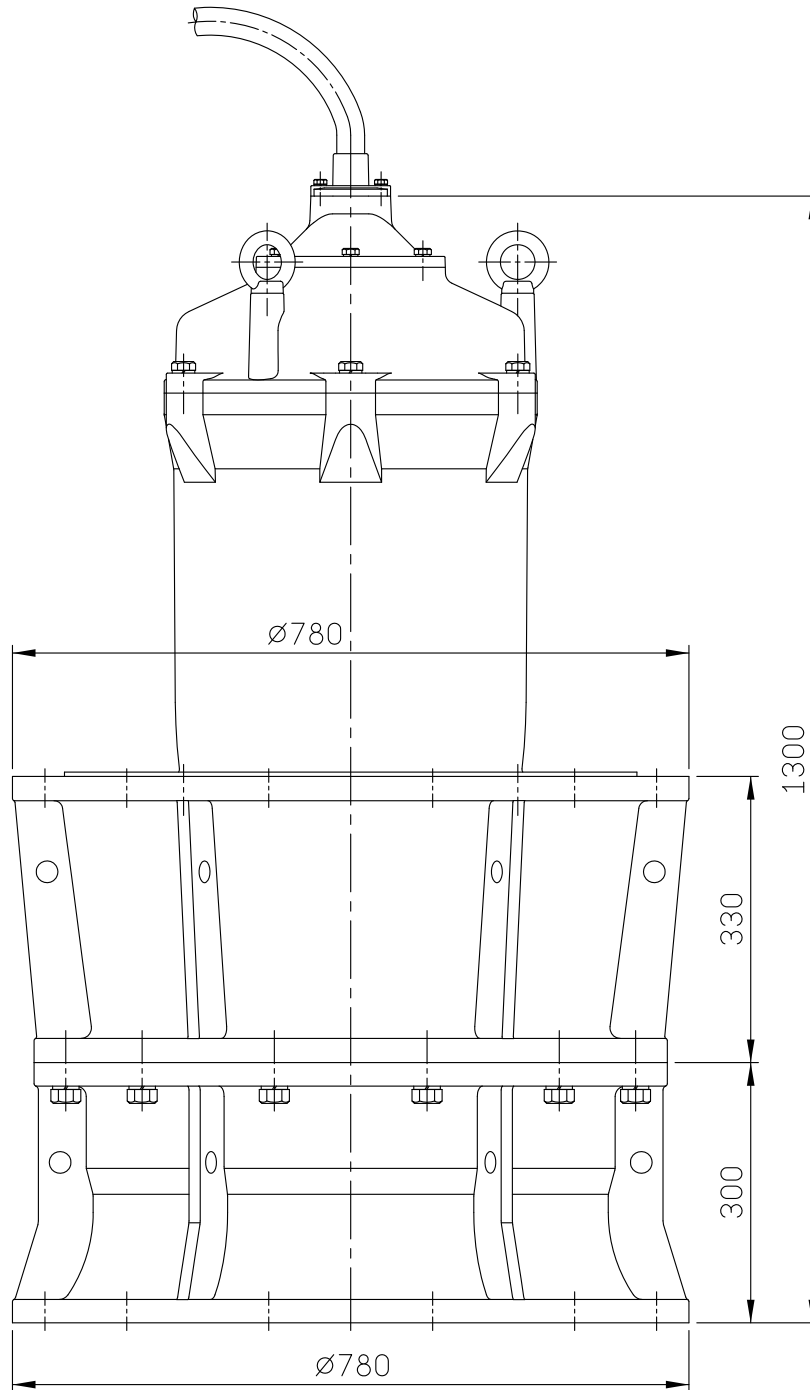
HCP PUMP

DIMENSIONAL DRAWING

No:DE-LA2250

Date:2005-10

MODEL:LA-2250(L-2250);LA-2260(L-2260)



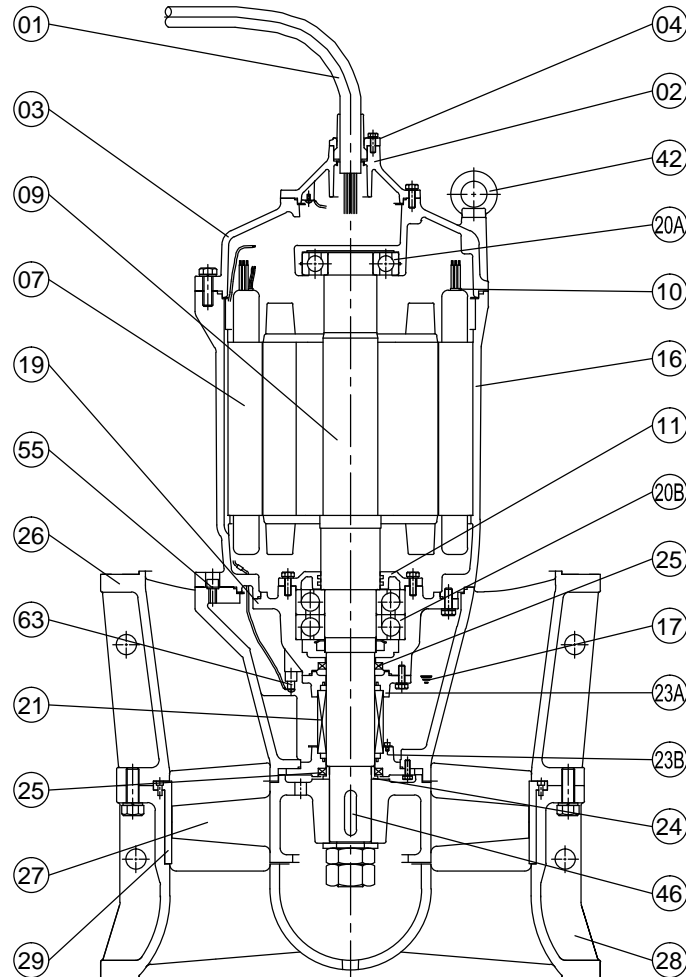
HCP PUMP

SECTIONAL DRAWING

No:SE-LA225032

Date:2011-05

MODEL: LA-2250(L-2250);LA-2260(L-2260)



No.	Part name	Material	QTY	Remark
01	Cable		1	VCT/H07RN-F UL/CSA
02	Cable base	FC-200	1	
03	Upper cover	FC-200	1	
04	Cable base cover	FC-200	1	
07	Stator		1	
09	Shaft(with Rotor)	SUS420J2	1	
10	Auto-cut		3	
11	Bearing fixer	FC-200	1	
16	Motor frame	FC-200	1	
17	Lubricant	Turbine oil #32	1	
19	Bearing bracket	FC-200	1	
20A	Upper bearing		1	
20B	Lower bearing		2	
21	M. seal	sic vs sic	1	
23A	Upper M. seal bracket	FC-200	1	
23B	Lower M. seal bracket	FC-200	1	

No.	Part name	Material	QTY	Remark
24	Oil seal bush	SUS420J2	1	
25	Oil seal	NBR	2	
26	Casing	FC-200	1	
27	Impeller	Bronze	1	
28	Casing cover	FC-200	1	
29	Impeller bush	SUS304	1	
42	Eye bolt	SUS304	1	
46	Impeller key	SUS304	1	
47	Packing (1 set)		1	
55	Oil plug	SUS304	2	
63	M. seal water detector		1	