

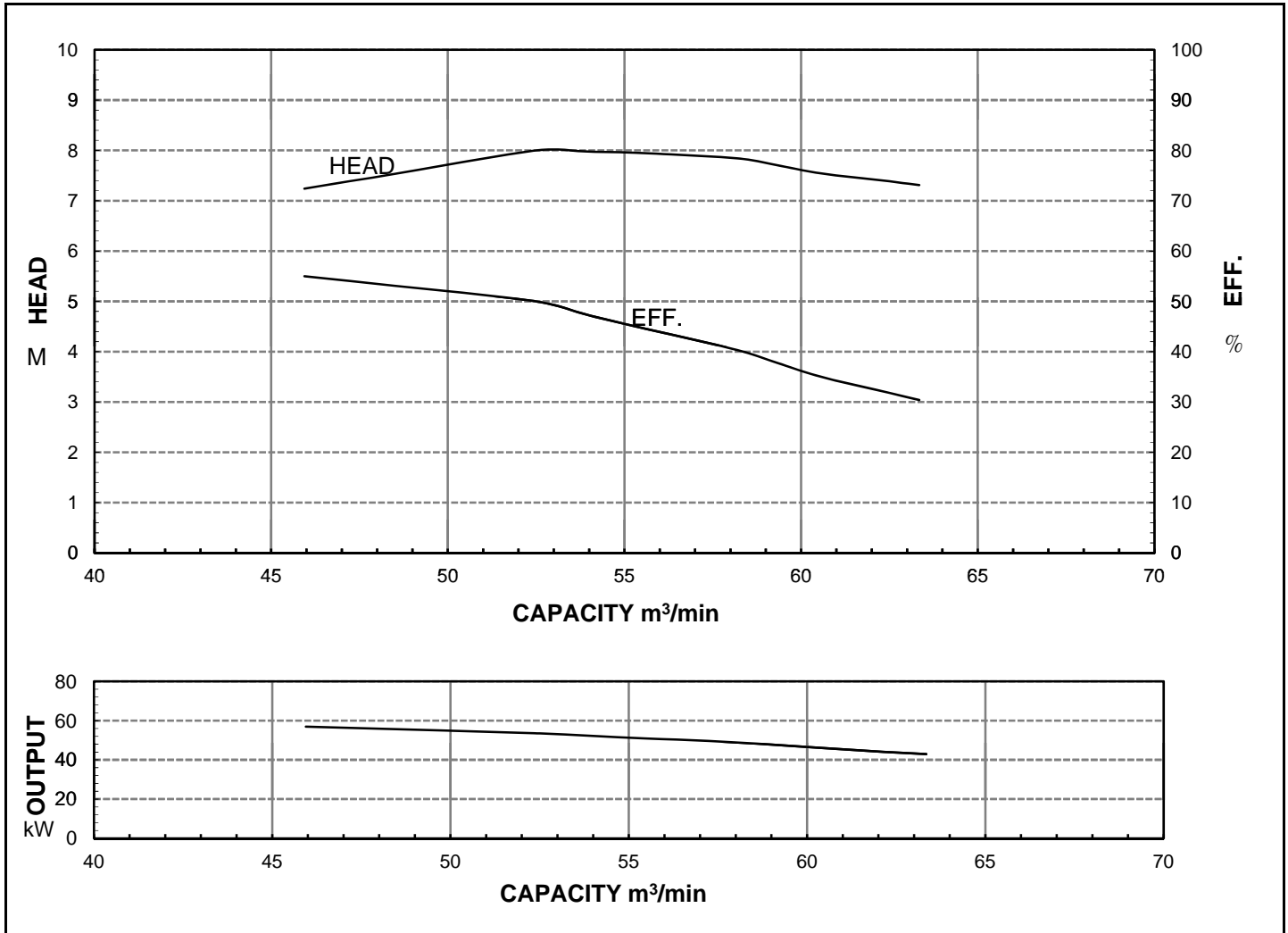


HCP PUMP

FILE NO. PC-M-E5-LA2875

PUMP PERFORMANCE CURVES

MODEL	LA-2875					DATE:	2011.12	
	STANDARD SPECIFICATION					REFERENCE SPECIFICATION		
FREQUENCY	50 Hz							
DISCHARGE	28	inch	/	700	mm			
OUTPUT	75	HP		100	kW	HP	kW	
HEAD	3.5 M							
CAPACITY	60 m ³ /min							
PHASE/VOLTAGE	3 ϕ	220 V	230 V	380 V	440 V	460 V	ϕ	V
RATED CURRENT	-	A	-	A	-	A	-	A
POLE / R.P.M.	10	P	/	585	R.P.M.			
START METHOD	Y- Δ							
INSULATION CLASS	F							
REMARK								



HCP PUMP MANUFACTURER CO.,LTD.

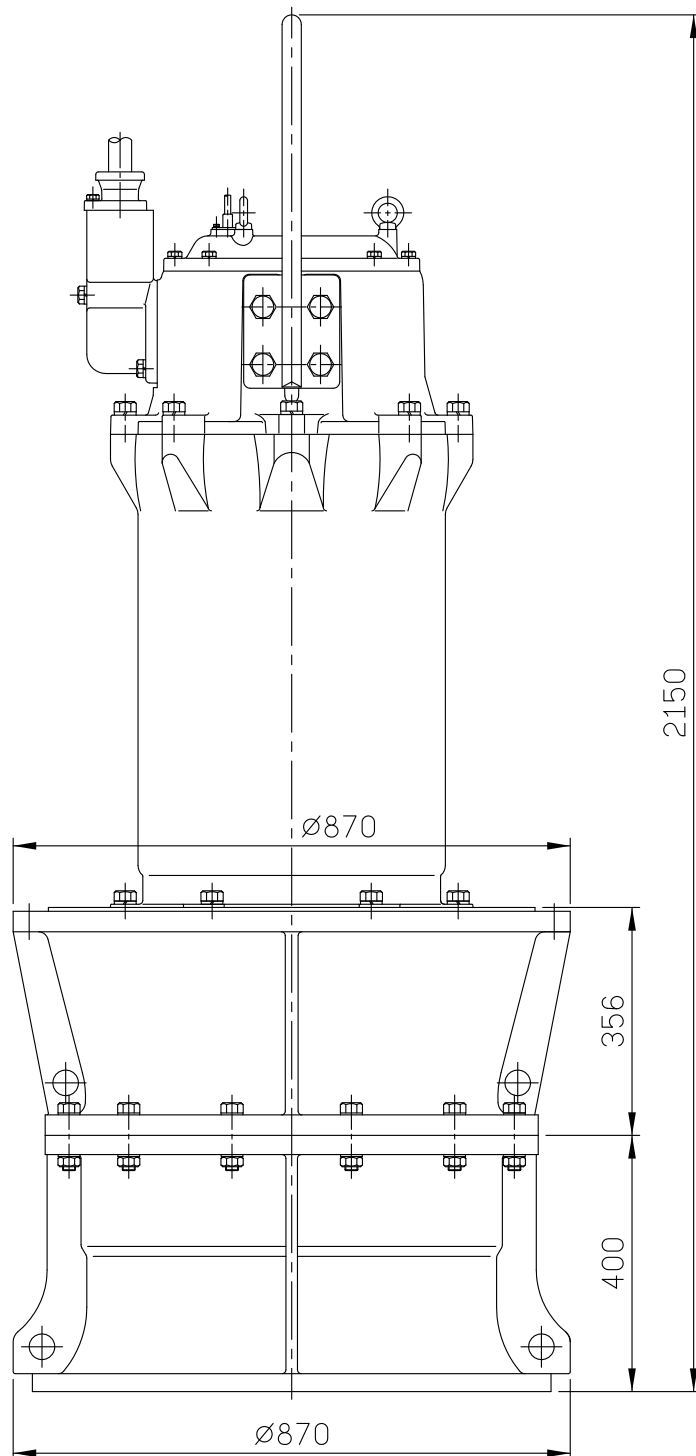
HCP PUMP

DIMENSIONAL DRAWING

No:DE-LA2875

Date:2005-10

MODEL:LA-2875;LA-28100



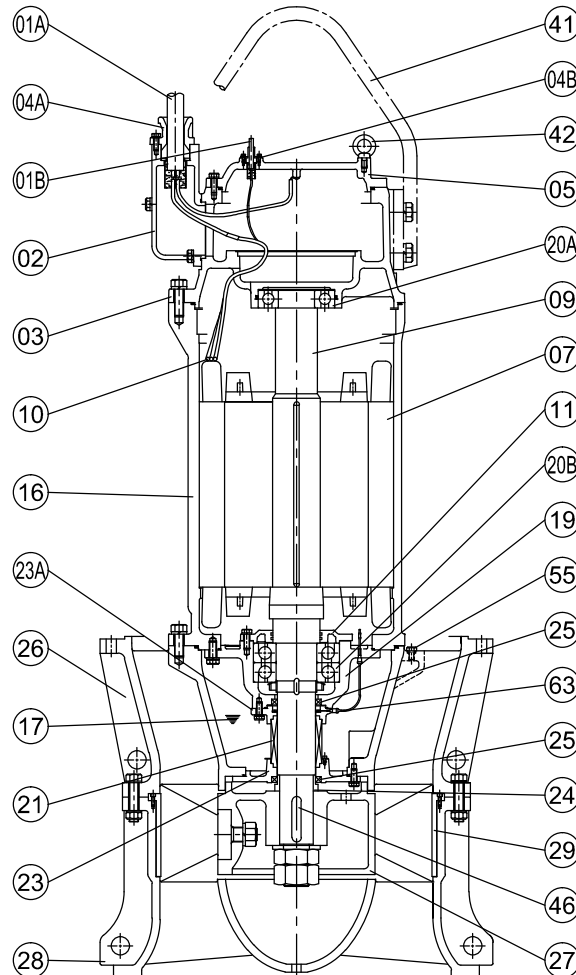
HCP PUMP

SECTIONAL DRAWING

No:SE-LA287532

Date:2011-05

MODEL: LA-2875;LA-28100



No.	Part name	Material	QTY	Remark
01A	Cable		2	VCT/H07RN-F UL/CSA
01B	Cable	VCT	1	
02	Cable base	FC-200	1	
03	Upper cover	FC-200	1	
04A	Cable base cover	FC-200	2	
04B	Cable base cover	SUS304	1	
05	Wiring upper cover	FC-200	1	
07	Stator		1	
09	Shaft(with Rotor)	SUS420J2	1	
10	Auto-cut		3	
11	Bearing fixer	FC-200	1	
16	Motor frame	FC-200	1	
17	Lubricant	Turbine oil #32	1	
19	Bearing bracket	FC-200	1	
20A	Upper bearing		1	
20B	Lower bearing		1	
21	M. seal	SIC VS SIC	1	

No.	Part name	Material	QTY	Remark
23A	Upper M. seal bracket	FC-200	1	
23B	Lower M. seal bracket	FC-200	1	
24	Oil seal bush	SUS420J2	1	
25	Oil seal	NBR	2	
26	Casing	FC-200	1	
27	Impeller	SCS13	1	
28	Casing cover	FC-200	1	
29	Impeller bush	Bronze	1	
41	Handle	SUS304	1	
42	Eye bolt	SUS304	1	
46	Impeller key	SUS304	1	
47	Packing (1 set)		1	
55	Oil plug	SUS304	1	
63	M. seal water detector		1	