

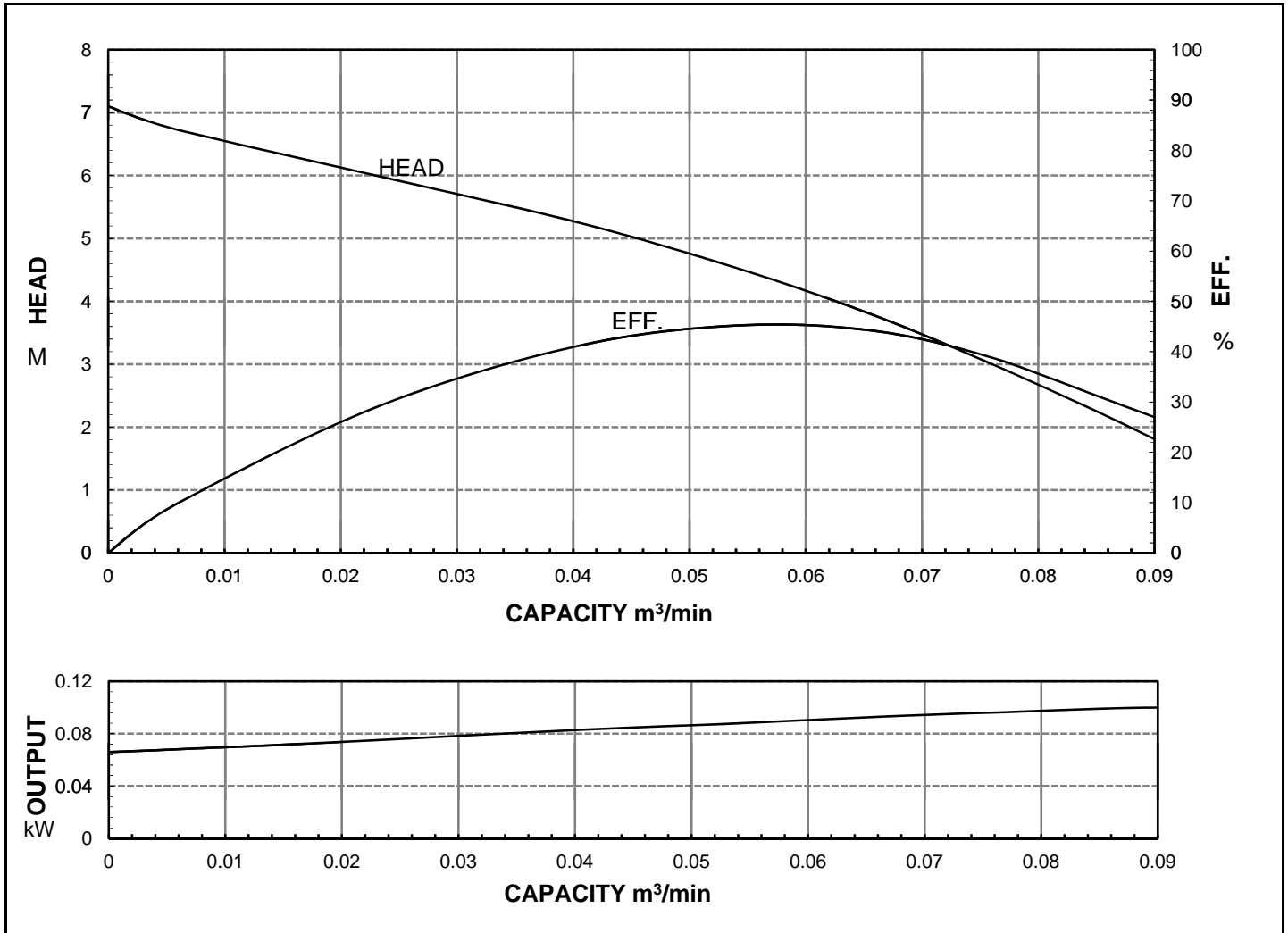


HCP PUMP

FILE NO PC-M-E5-POND100A

PUMP PERFORMANCE CURVES

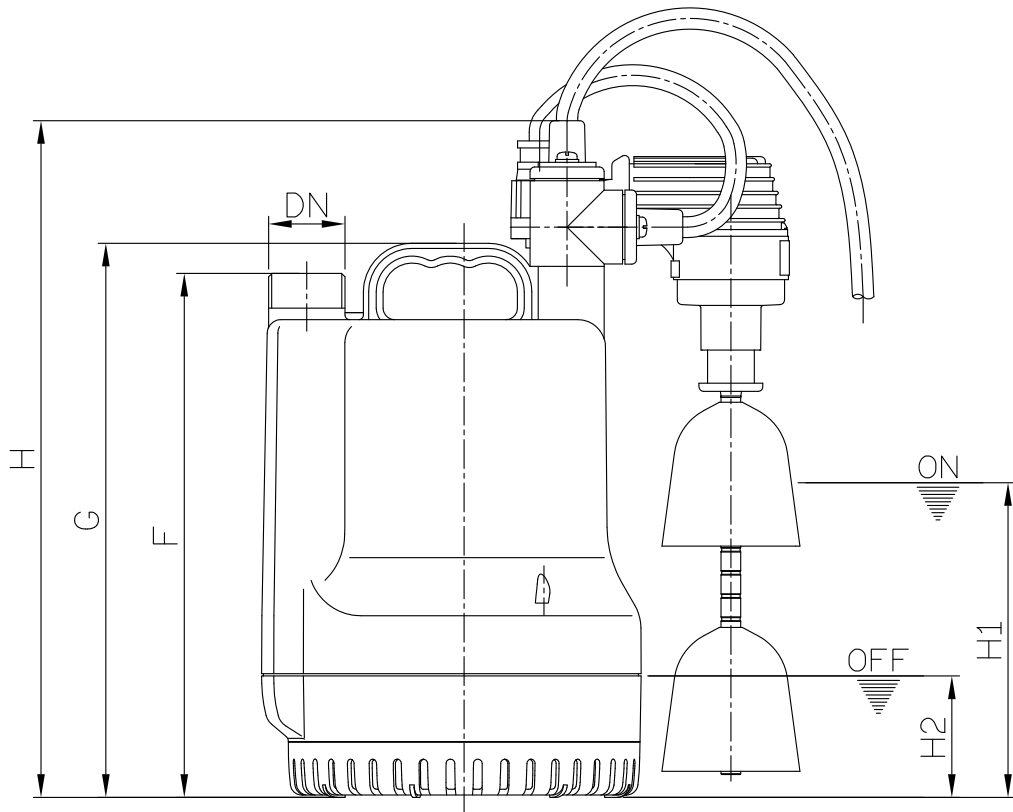
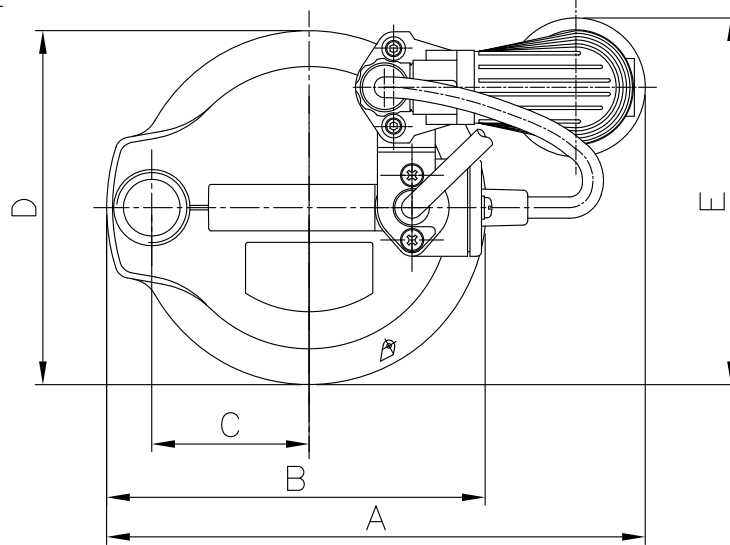
MODEL	POND-100A					DATE:	2011.12	
	STANDARD SPECIFICATION					REFERENCE SPECIFICATION		
FREQUENCY	50					Hz		
DISCHARGE	1	inch	/	25	mm			
OUTPUT	0.13	HP	/	0.1	kW	HP	kW	
HEAD	4.5					M		
CAPACITY	0.05					m ³ /min		
PHASE/VOLTAGE	1	φ	220 V	230 V	240 V		φ	V
RATED CURRENT		1.1 A	1.0 A	0.9 A				A
POLE / R.P.M.	2	P	/	3000	R.P.M.			
START METHOD	DIRECT							
INSULATION CLASS	B							
REMARK								



HCP PUMP MANUFACTURER CO.,LTD.

MODEL: POND-100FV;POND-150FV

DIMENSION OF PUMP



Model	DN	A	B	C	D	E	F	G	H	H1	H2
POND-100FV	25	233	164	68	153	160	227	240	293	135	55

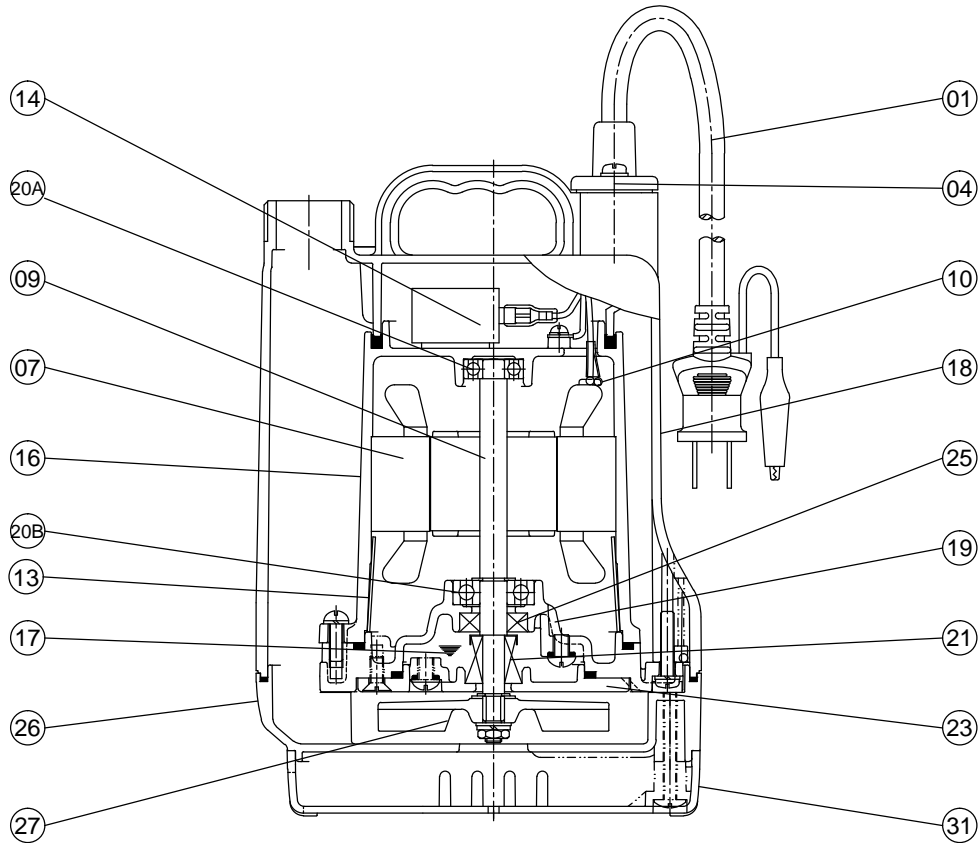
HCP PUMP

SECTIONAL DRAWING

No:SE-POND100

Date:2011-05

MODEL: POND-100;150



No.	Part name	Material	QTY	Remark
01	Cable		1	VCT/H07RN-F UL / CSA
04	Cable base cover	SUS304	1	
07	Stator		1	
09	Shaft(with Rotor)	SUS410	1	
10	Overheat protector		1	
13	Fix ring		1	
14	Capacitor		1	
16	Motor frame	ADC12	1	
17	Lubricant	Turbine oil #32	1	
18	Out cover	AAS	1	
19	Bearing bracket	ADC12	1	

No.	Part name	Material	QTY	Remark
20A	Upper bearing		1	
20B	Lower bearing		1	
21	M. seal	CA VS CE	1	
23	M. seal bracket	ADC12	1	
25	Oil seal	NBR	1	
26	Casing	AAS	1	
27	Impeller	ABS+G20	1	
31	Strainer	AAS	1	
47	Packing (1 set)		1	