

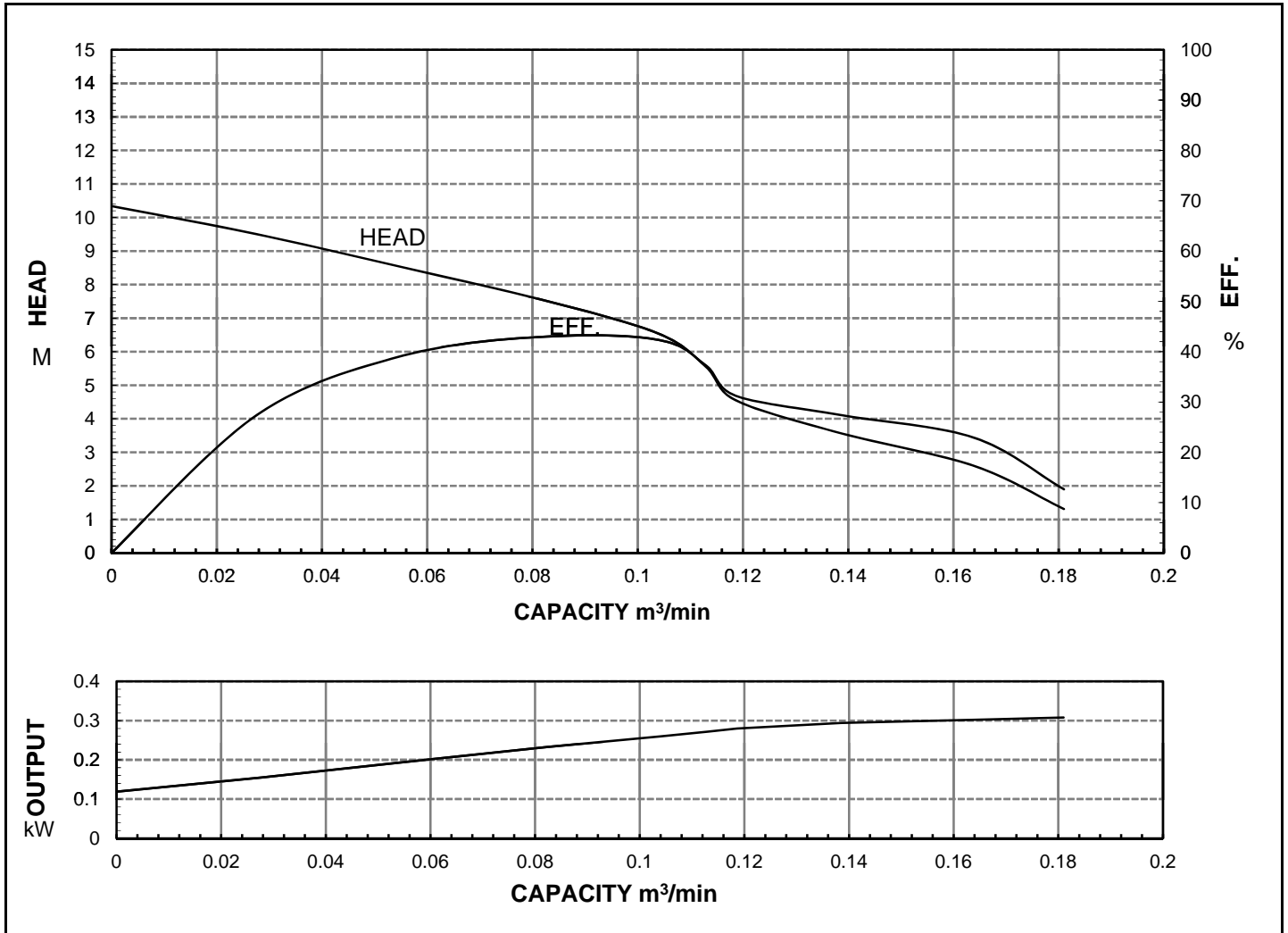


HCP PUMP

FILE NO PC-M-E5-PONDS250

PUMP PERFORMANCE CURVES

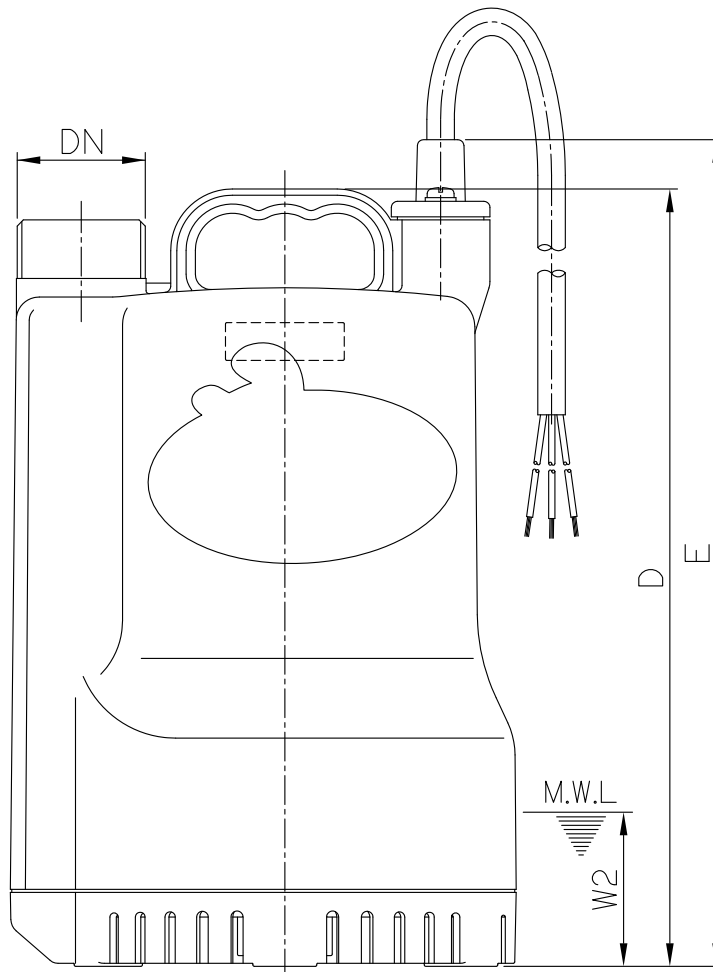
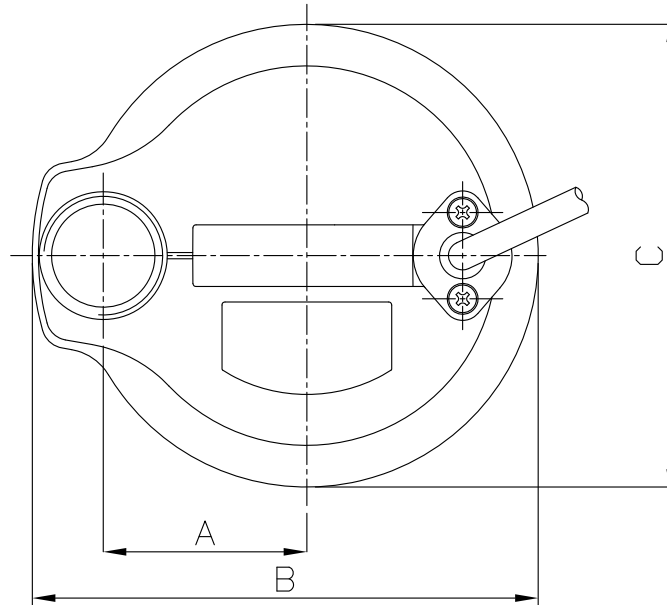
MODEL	POND-S250					DATE:	2012.10	
	STANDARD SPECIFICATION					REFERENCE SPECIFICATION		
FREQUENCY	50					Hz		
DISCHARGE	1 1/4	inch	/	32	mm			
OUTPUT	1/3	HP	/	0.25	kW	HP	kW	
HEAD	6.5					M		
CAPACITY	0.1					m ³ /min		
PHASE/VOLTAGE	1 ϕ	220 V	230 V	240 V			ϕ	V
RATED CURRENT		1.7 A	1.6 A	1.5 A				A
POLE / R.P.M.	2	P	/	3000	R.P.M.			
START METHOD	DIRECT							
INSULATION CLASS	B							
REMARK	For reference only							



HCP PUMP MANUFACTURER CO.,LTD.

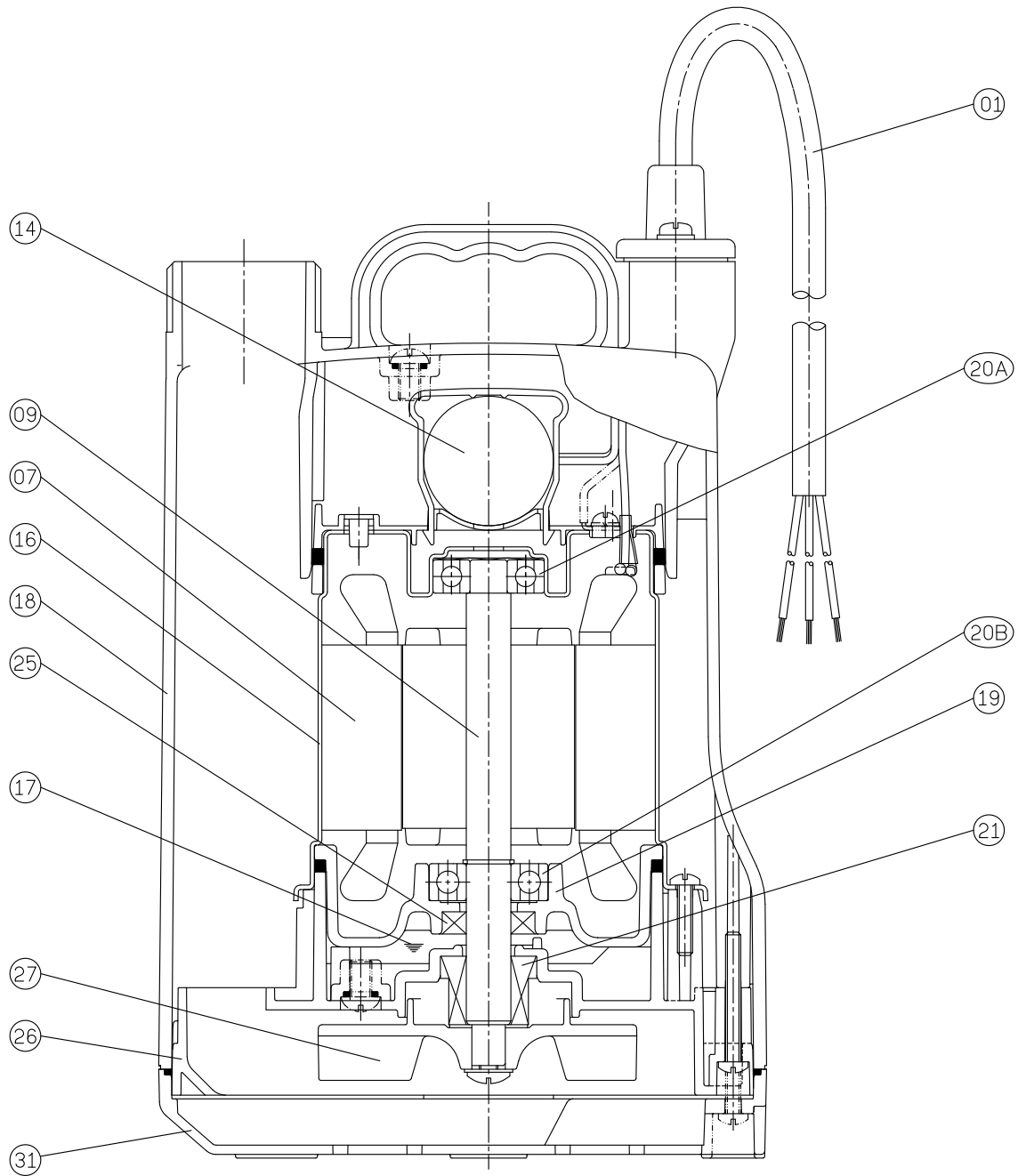
MODEL: POND-S250

DIMENSION OF PUMP



Model	DN	A	B	C	D	E	W2
POND-S250	1 1/4"	66	164	150	252	268	50

MODEL: POND-S250



No.	Part name	Material	QTY	Remark
01	Cable		1	SJTW/ H07RN-F
07	Stator		1	
09	Shaft(with Rotor)	SUS410	1	
14	Capacitor		1	
16	Motor frame	SUS305	1	
17	Lubricant	Turbine oil #32	1	
18	Out cover	PP+G30	1	
19	Bearing bracket	PA+G50	1	

No.	Part name	Material	QTY	Remark
20A	Upper bearing		1	
20B	Lower bearing		1	
21	M. seal	CA VS CE	1	
25	Oil seal	30+NBR	1	
26	Casing	PP+G30	1	
27	Impeller	PA+G50	1	
31	Strainer	PP+G30	1	
47	Packing (1 set)		1	