

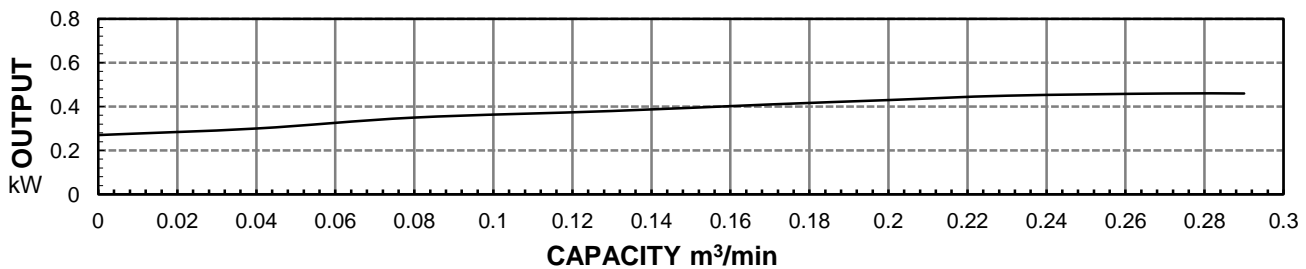
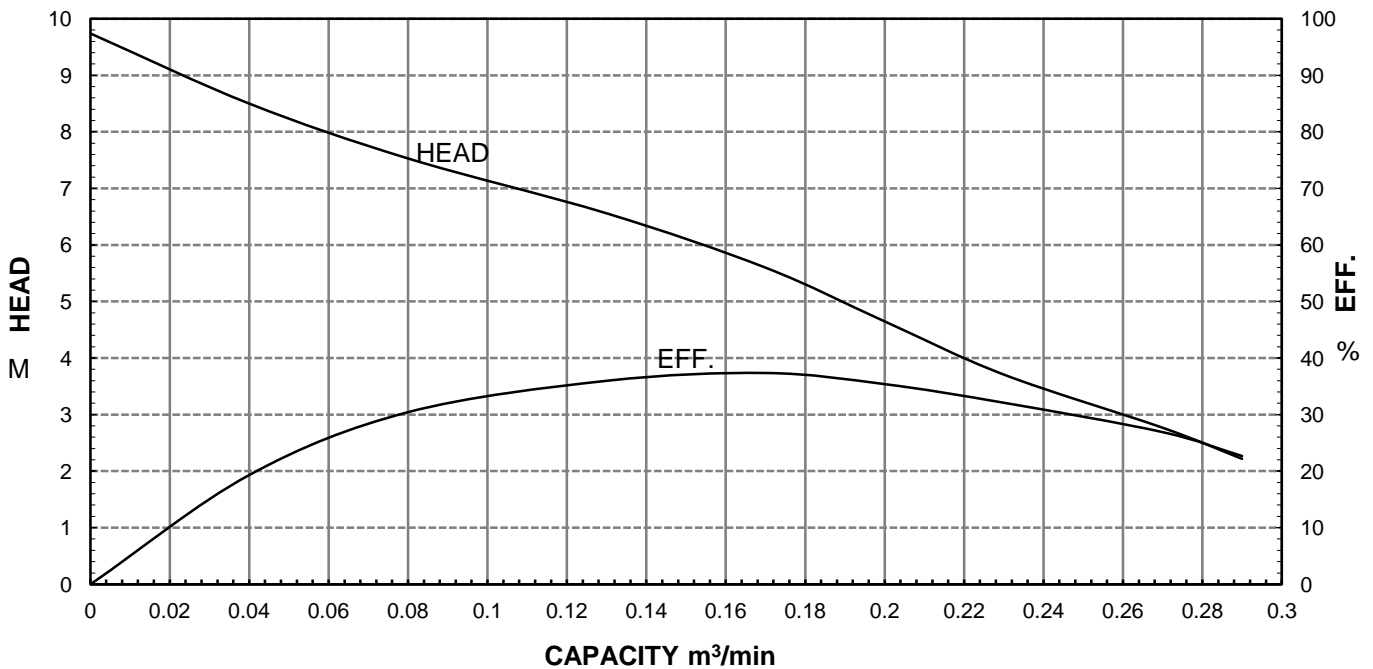


HCP PUMP

FILE NO PC-M-E5-SF05AU1

PUMP PERFORMANCE CURVES

| | | | | | | | | |
|------------------|------------------------|-------|-------|-------|--------|-------------------------|---------|---|
| MODEL | SF-05AU | | | | | DATE: | 2011.12 | |
| | STANDARD SPECIFICATION | | | | | REFERENCE SPECIFICATION | | |
| FREQUENCY | 50 | | | | | Hz | | |
| DISCHARGE | 2 | inch | / | 50 | mm | | | |
| OUTPUT | 0.5 | HP | / | 0.4 | kW | HP | kW | |
| HEAD | 6 | | | | | M | | |
| CAPACITY | 0.15 | | | | | m ³ /min | | |
| PHASE/VOLTAGE | 1 | φ | 220 V | 230 V | 240 V | | φ | V |
| RATED CURRENT | | 3.4 A | 3.3 A | 3.2 A | | | | A |
| POLE / R.P.M. | 2 | P | / | 2780 | R.P.M. | | | |
| START METHOD | DIRECT | | | | | | | |
| INSULATION CLASS | B | | | | | | | |
| REMARK | | | | | | | | |



HCP PUMP MANUFACTURER CO.,LTD.

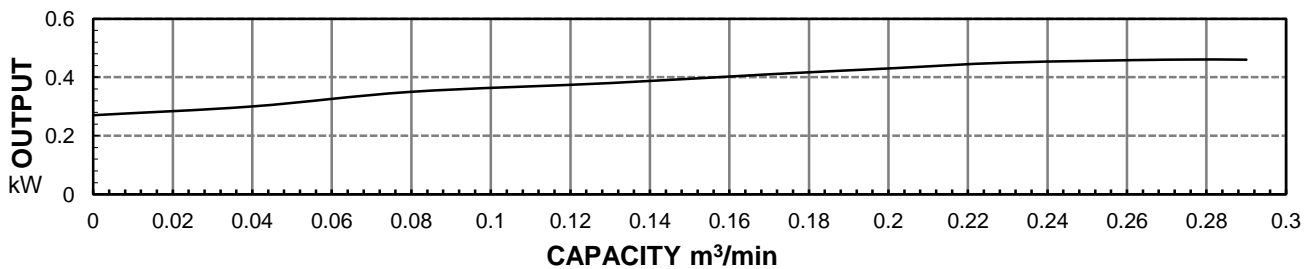
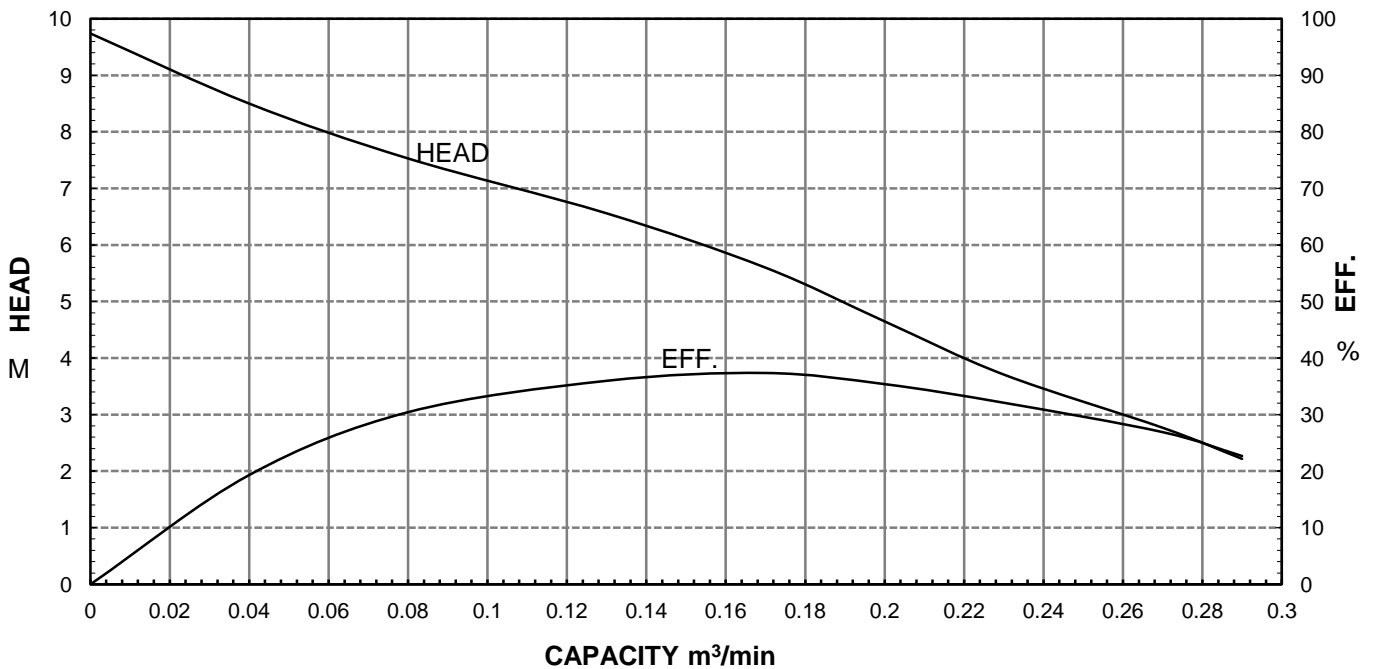


HCP PUMP

FILE NO PC-M-E5-SF05AU3

PUMP PERFORMANCE CURVES

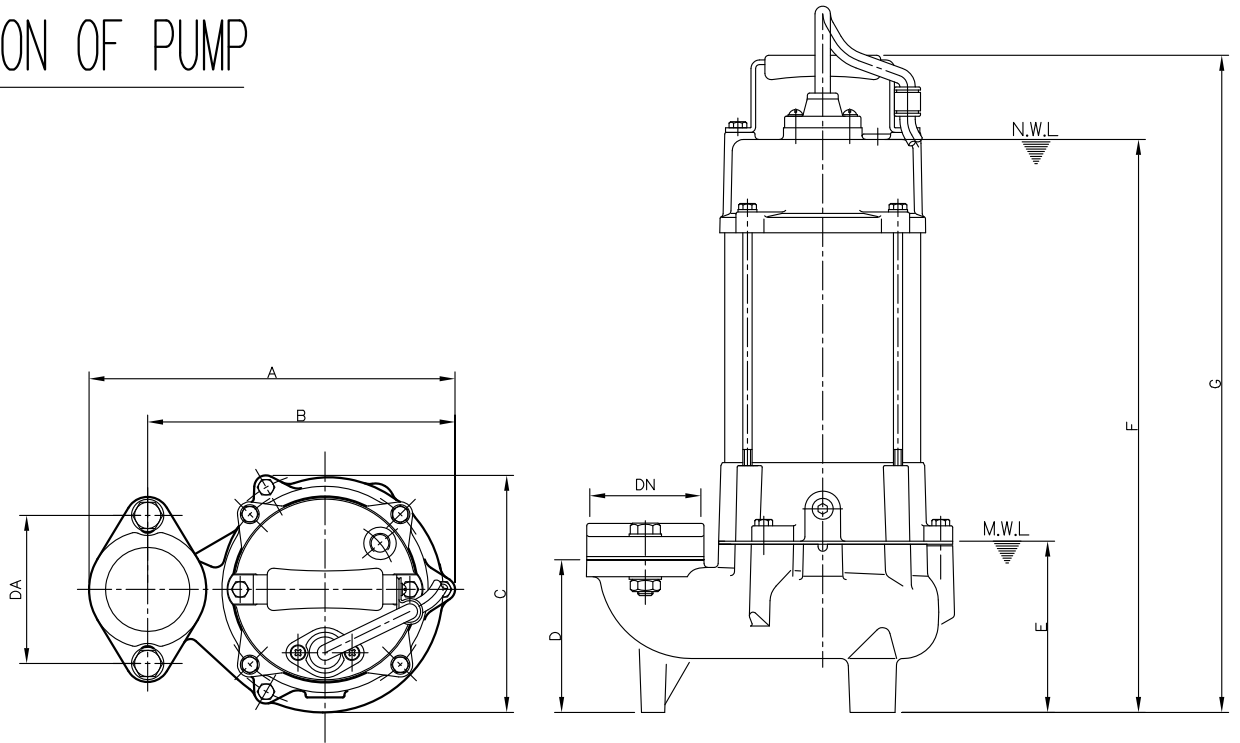
| | | | | | | |
|------------------|------------------------|-------|-------|---------------------|-------------------------|------------|
| MODEL | SF-05AU | | | | DATE: | 2011.12 |
| | STANDARD SPECIFICATION | | | | REFERENCE SPECIFICATION | |
| FREQUENCY | 50 | | | Hz | | |
| DISCHARGE | 2 | inch | / | 50 | mm | |
| OUTPUT | 0.5 | HP | / | 0.4 | kW | HP kW |
| HEAD | 6 | | | M | | |
| CAPACITY | 0.15 | | | m ³ /min | | |
| PHASE/VOLTAGE | 3 φ | 230 V | 380 V | 400 V | 415 V | φ V |
| RATED CURRENT | | 2.3 A | 1.4 A | 1.3 A | 1.3 A | A |
| POLE / R.P.M. | 2 | P | / | 2780 | R.P.M. | |
| START METHOD | DIRECT | | | | | |
| INSULATION CLASS | B | | | | | |
| REMARK | | | | | | |



HCP PUMP MANUFACTURER CO.,LTD.

MODEL: SF-05AU;SF-21AU

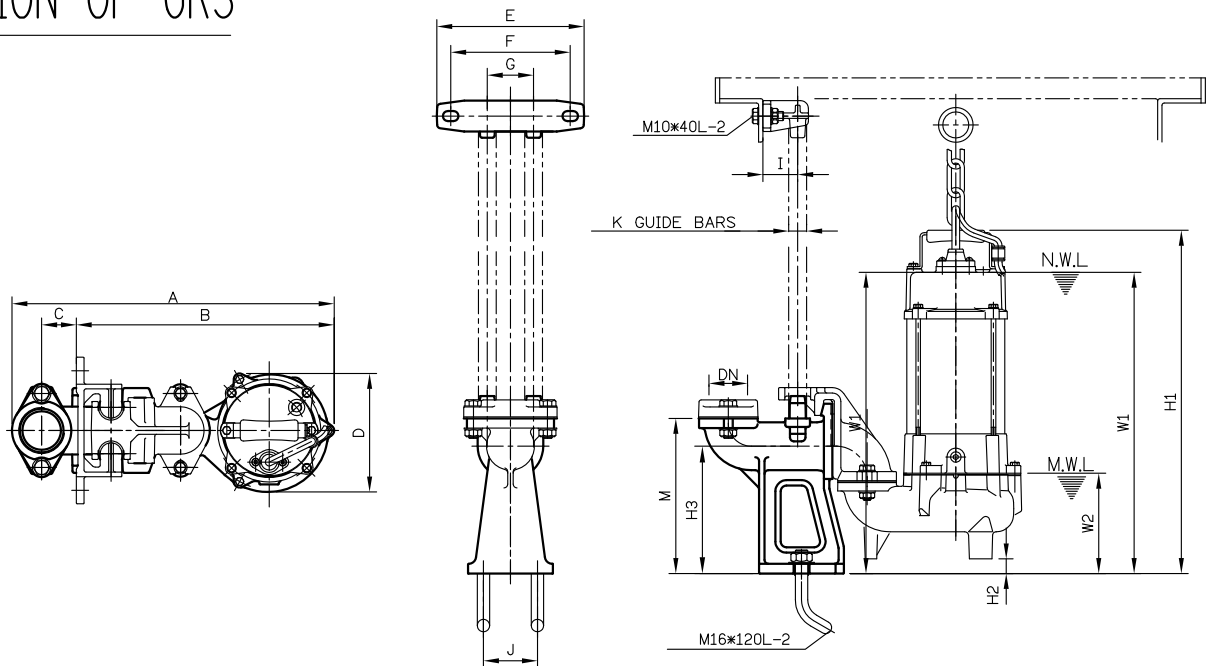
DIMENSION OF PUMP



| Model | DN | DA | A | B | C | D | E | F | G |
|---------|----|----|-----|-----|-----|----|-----|-----|-----|
| SF-05AU | 50 | 96 | 237 | 199 | 154 | 99 | 109 | 372 | 427 |
| SF-21AU | 50 | 96 | 237 | 199 | 154 | 99 | 109 | 372 | 427 |

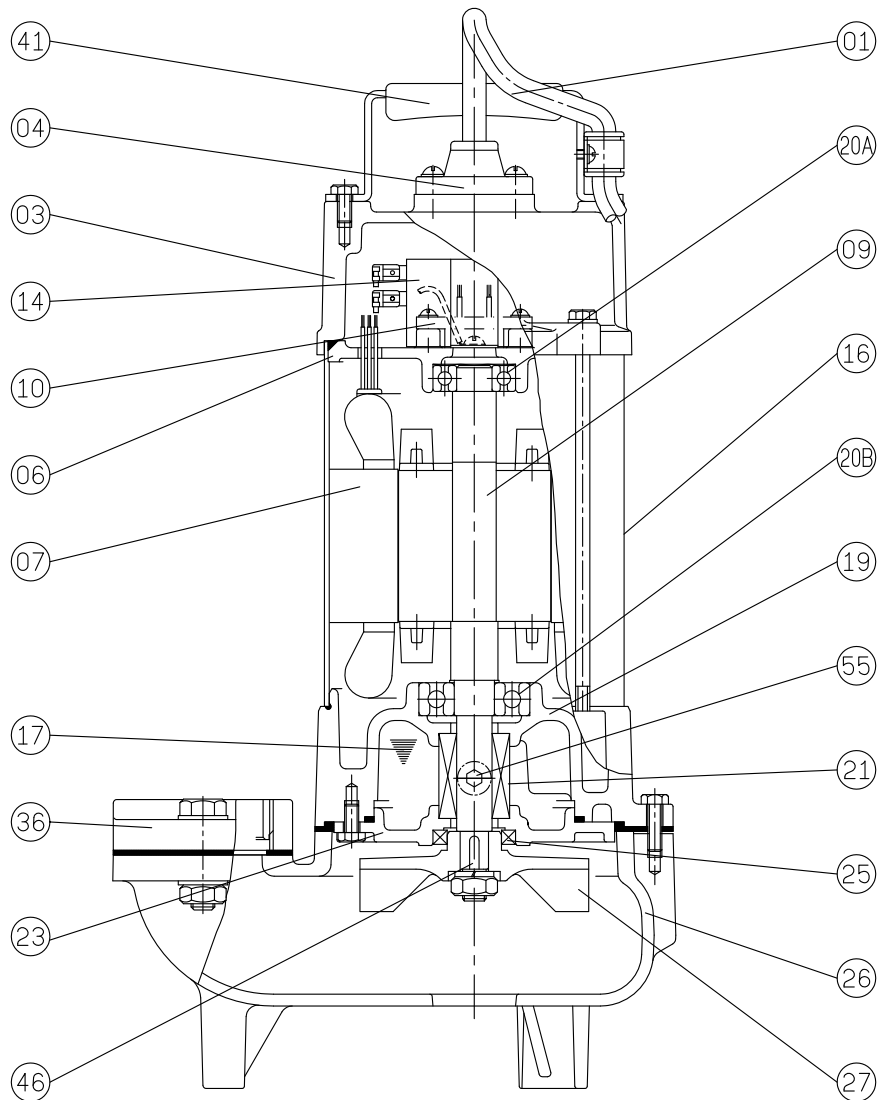
N.W.L.: Normal water level
M.W.L.: Minimum water level

DIMENSION OF GRS



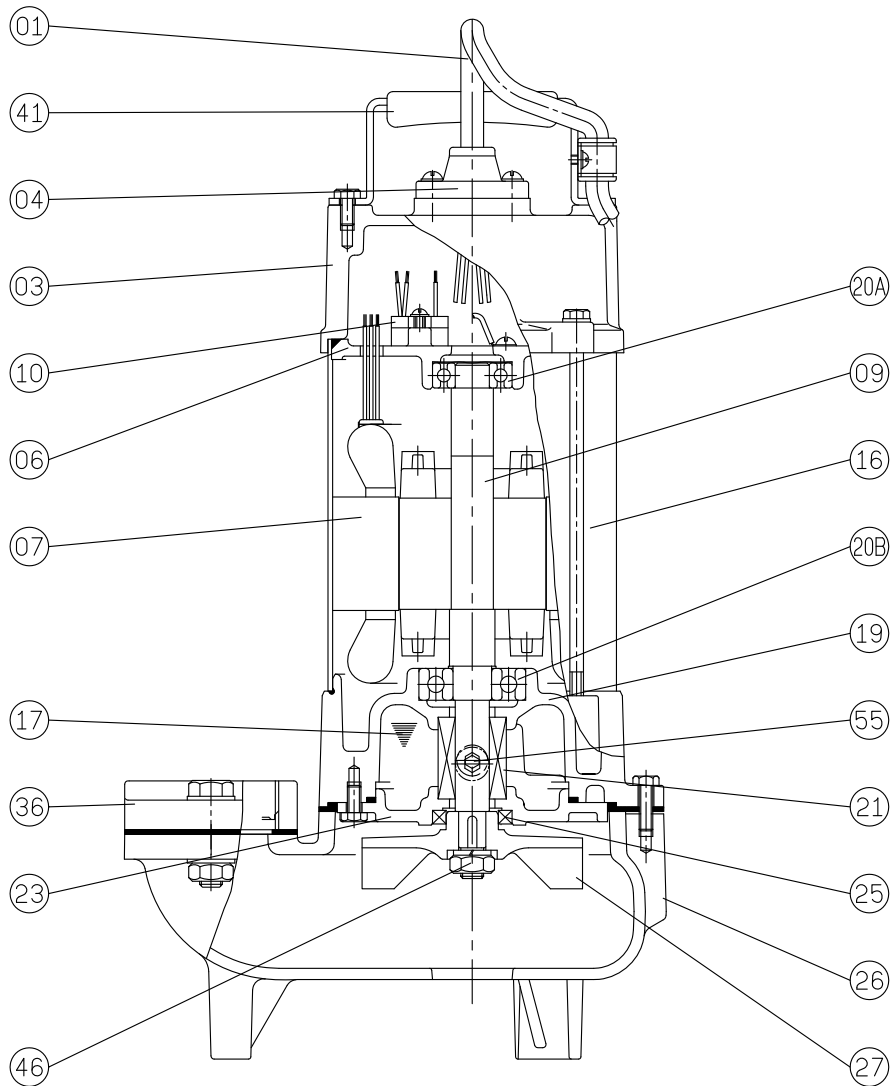
| Model | DN | A | B | C | D | E | F | G | I | J | K | M | W1 | W2 | H1 | H2 | H3 |
|---------|----|-----|-----|----|-----|-----|-----|----|----|----|------|-----|-----|-----|-----|----|-----|
| SF-05AU | 50 | 418 | 334 | 45 | 154 | 190 | 155 | 60 | 50 | 70 | 3/4" | 201 | 391 | 128 | 445 | 19 | 165 |
| SF-21AU | 50 | 418 | 334 | 45 | 154 | 190 | 155 | 60 | 50 | 70 | 3/4" | 201 | 391 | 128 | 445 | 19 | 165 |

MODEL: SF-05AU 1Ø



| No. | Part name | Material | QTY | Remark |
|-----|-------------------|------------------------|-----|-----------------------|
| 01 | Cable | | 1 | VCT/H07RN-F UL/CSA |
| 03 | Upper cover | SUS304 | 1 | |
| 04 | Cable base cover | SUS304 | 1 | |
| 06 | Bracket | FC-200 | 1 | |
| 07 | Stator | | 1 | |
| 09 | Shaft(with Rotor) | SUS316 | 1 | |
| 10 | Auto-cut | | 1 | |
| 14 | Capacitor | | 1 | |
| 16 | Motor frame | SUS304 | 1 | |
| 17 | Lubricant | Turbine oil #32 | 1 | |
| 19 | Bearing bracket | SCS13 | 1 | |
| 20A | Upper bearing | | 1 | |
| 20B | Lower bearing | | 1 | |
| 21 | M. seal | CA VS CE SIC VS SIC | 1 | |

| No. | Part name | Material | QTY | Remark |
|-----|-----------------|----------|-----|--------|
| 23 | M. seal bracket | SCS13 | 1 | |
| 25 | Oil seal | NBR | 1 | |
| 26 | Casing | SCS13 | 1 | |
| 27 | Impeller | SCS13 | 1 | |
| 36 | Flange | SCS13 | 1 | |
| 41 | Handle | SUS304 | 1 | |
| 46 | Impeller key | SUS304 | 1 | |
| 47 | Packing (1 set) | | 1 | |
| 55 | Oil plug | SUS304 | 1 | |
| | | | | |
| | | | | |
| | | | | |
| | | | | |

MODEL: SF-05AU 3 \varnothing 

| No. | Part name | Material | QTY | Remark |
|-----|-------------------|------------------------|-----|-----------------------|
| 01 | Cable | | 1 | VCT/H07RN-F UL/CSA |
| 03 | Upper cover | SUS304 | 1 | |
| 04 | Cabe base cover | SUS304 | 1 | |
| 06 | Bracket | FC-200 | 1 | |
| 07 | Stator | | 1 | |
| 09 | Shaft(with Rotor) | SUS316 | 1 | |
| 10 | Auto-cut | | 1 | |
| 16 | Motor frame | SUS304 | 1 | |
| 17 | Lubricant | Turbine oil #32 | 1 | |
| 19 | Bearing Bracket | SCS13 | 1 | |
| 20A | Upper bearing | | 1 | |
| 20B | Lower bearing | | 1 | |
| 21 | M. seal | CA VS CE SIC VS SIC | 1 | |

| No. | Part name | Material | QTY | Remark |
|-----|-----------------|----------|-----|--------|
| 23 | M. seal bracket | SCS13 | 1 | |
| 25 | Oil seal | NBR | 1 | |
| 26 | Casing | SCS13 | 1 | |
| 27 | Impeller | SCS13 | 1 | |
| 36 | Flange | SCS13 | 1 | |
| 41 | Handle | SUS304 | 1 | |
| 46 | Impeller key | SUS304 | 1 | |
| 47 | Packing (1 set) | | 1 | |
| 55 | Oil plug | SUS304 | 1 | |
| | | | | |
| | | | | |
| | | | | |