

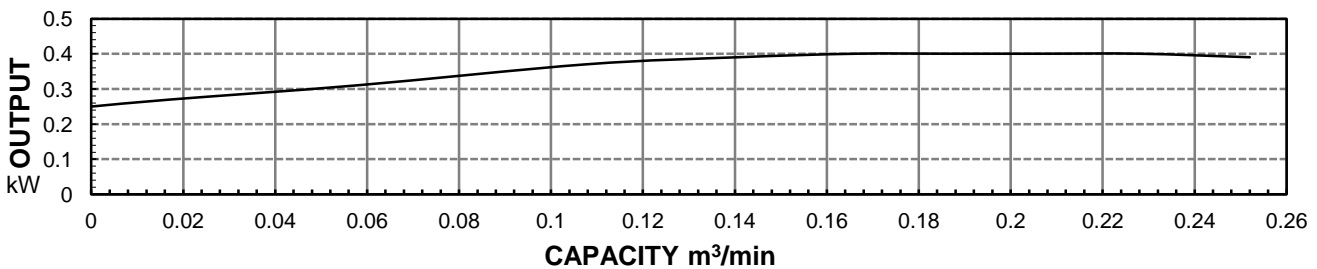
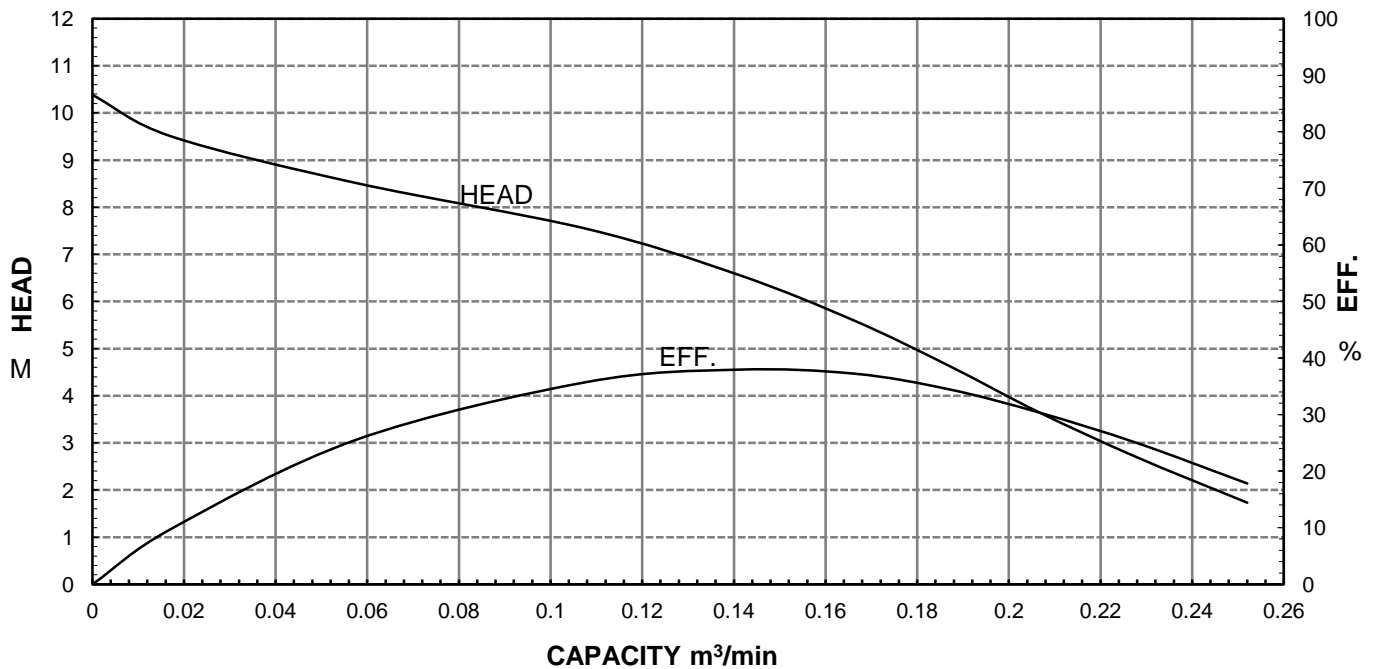


# HCP PUMP

FILE NO PC-M-E5-SS05A1

## PUMP PERFORMANCE CURVES

MODEL	SS-05A					DATE:	2011.12	
	STANDARD SPECIFICATION					REFERENCE SPECIFICATION		
FREQUENCY	50					Hz		
DISCHARGE	2	inch /		50	mm			
OUTPUT	0.5	HP /		0.4	kW	HP	kW	
HEAD	7					M		
CAPACITY	0.12					m <sup>3</sup> /min		
PHASE/VOLTAGE	1 $\phi$	220 V	230 V	240 V			$\phi$	V
RATED CURRENT		3.4 A	3.3 A	3.2 A				A
POLE / R.P.M.	2	P /		2780	R.P.M.			
START METHOD	DIRECT							
INSULATION CLASS	B							
REMARK								



HCP PUMP MANUFACTURER CO.,LTD.

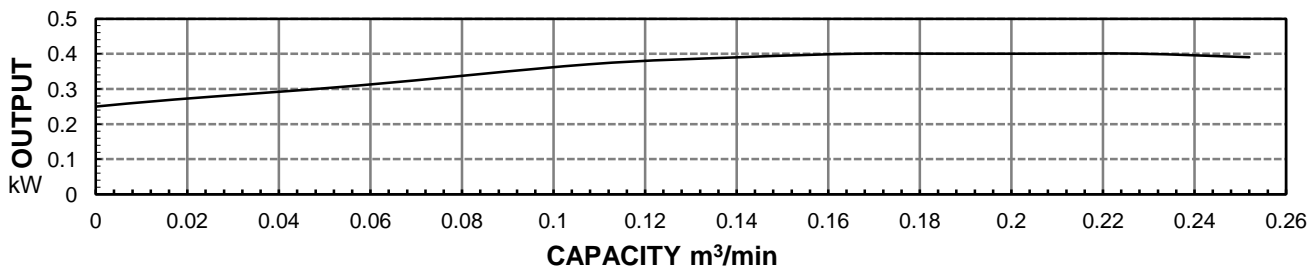
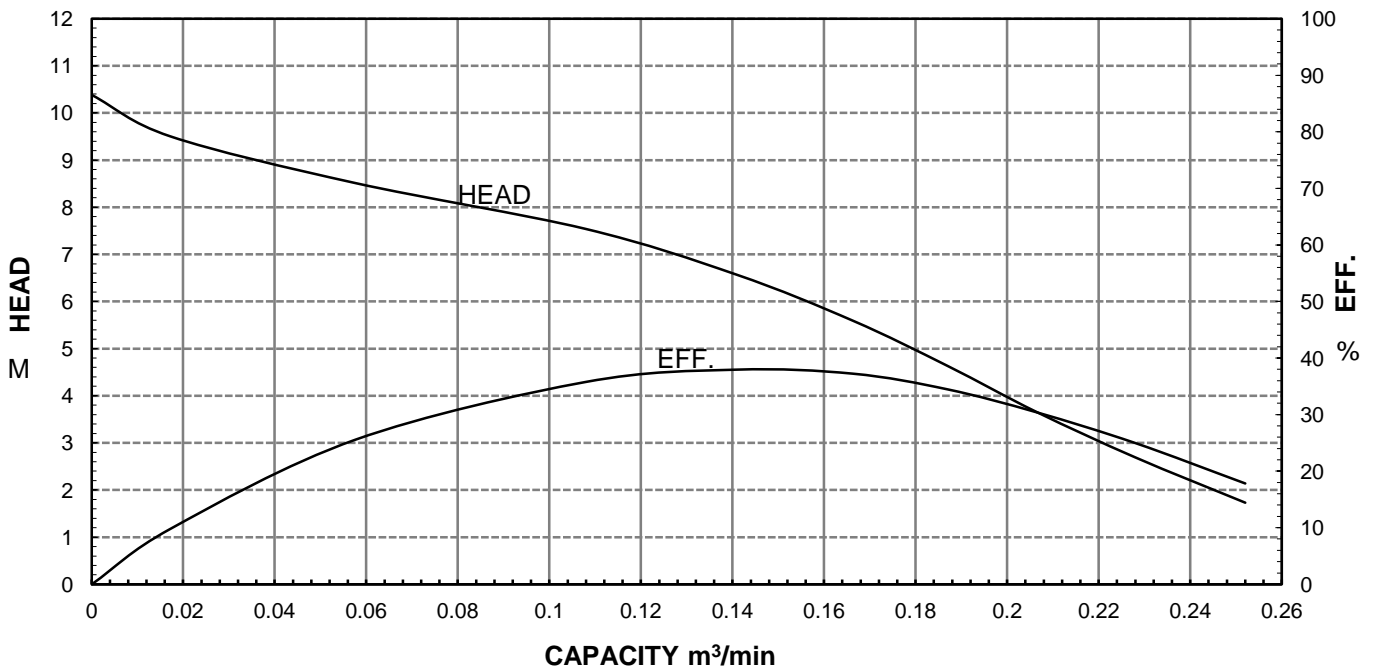


# HCP PUMP

FILE NO PC-M-E5-SS05A3

## PUMP PERFORMANCE CURVES

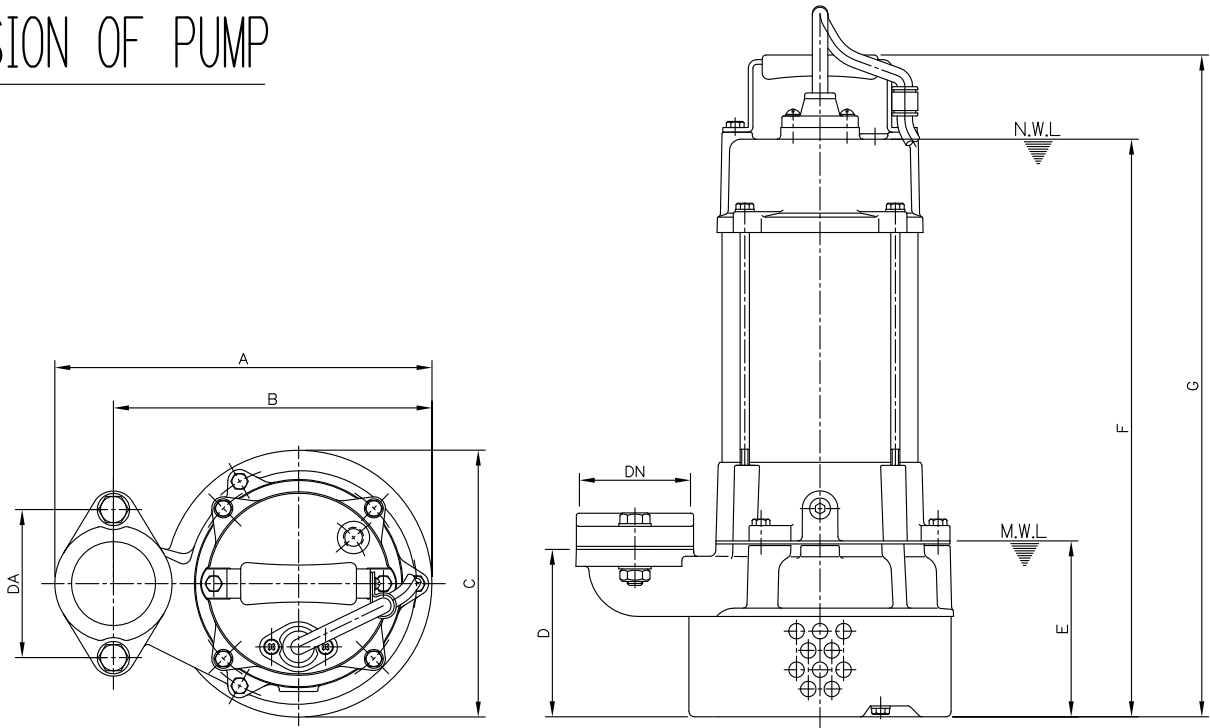
MODEL	SS-05A				DATE:	2011.12
	STANDARD SPECIFICATION				REFERENCE SPECIFICATION	
FREQUENCY	50			Hz		
DISCHARGE	2	inch	/	50	mm	
OUTPUT	0.5	HP	/	0.4	kW	HP      kW
HEAD	7			M		
CAPACITY	0.12			m <sup>3</sup> /min		
PHASE/VOLTAGE	3 φ	230 V	380 V	400 V	415 V	φ      V
RATED CURRENT		2.3 A	1.4 A	1.3 A	1.3 A	A
POLE / R.P.M.	2	P	/	2780	R.P.M.	
START METHOD	DIRECT					
INSULATION CLASS	B					
REMARK						



**HCP PUMP MANUFACTURER CO.,LTD.**

MODEL: SS-05A;SS-21A

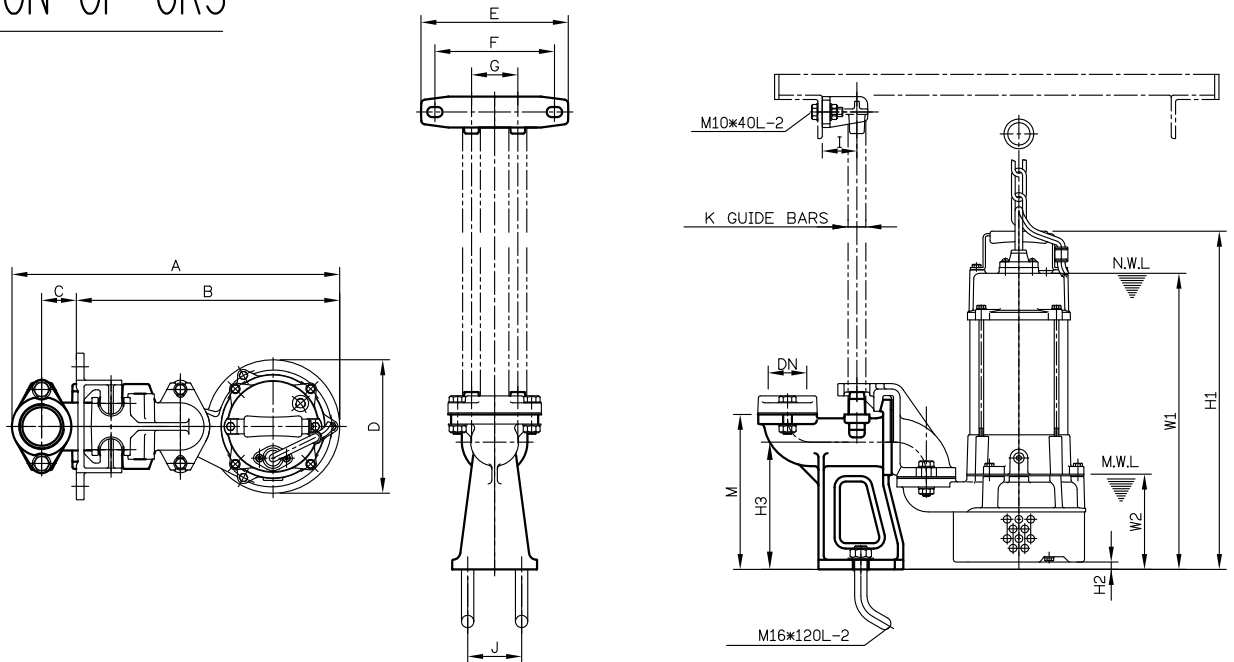
DIMENSION OF PUMP



Mode	DN	DA	A	B	C	D	E	F	G
SS-05A	50	207	245	207	174	109	115	385	439
SS-21A	50	207	245	207	174	109	115	385	439

N.W.L: Normal water level  
M.W.L: Minimum water level

DIMENSION OF GRS



Model	DN	A	B	C	D	E	F	G	I	J	K	M	W1	W2	H1	H2	H3
SS-05A	50	425	342	45	173	190	155	60	50	70	3/4"	201	395	110	449	8	165
SS-21A	50	425	342	45	173	190	155	60	50	70	3/4"	201	395	110	449	8	165



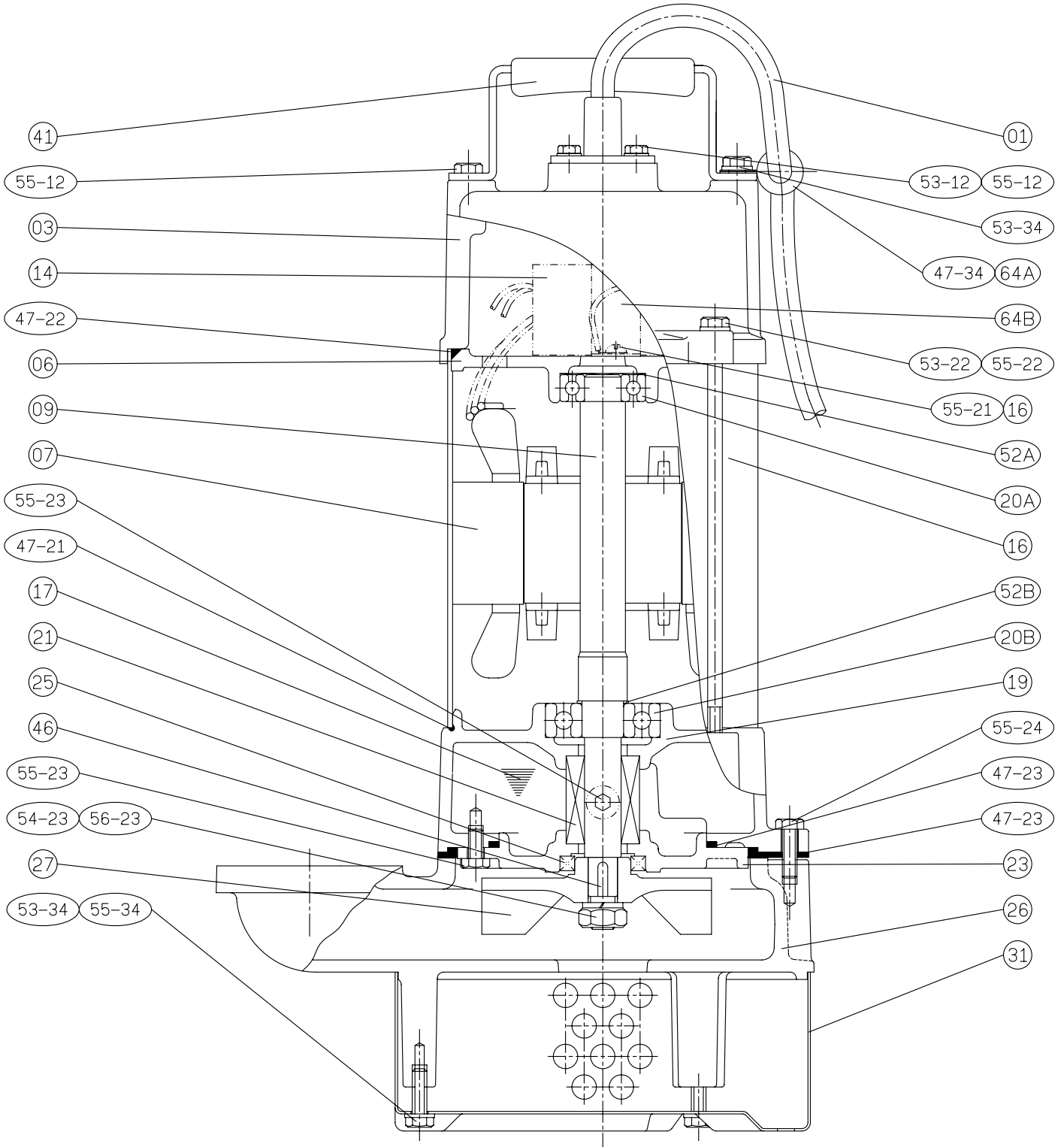
PUMP

SECTIONAL DRAWING

A2SS0204A10-00

DATE:2011-10

MODEL: SS-05A,SS-21A 1ø





PUMP

SECTIONAL DRAWING

A2SS0204A30-00

DATE:2011-10

MODEL: SS-05A,SS-21A 3Ø

