

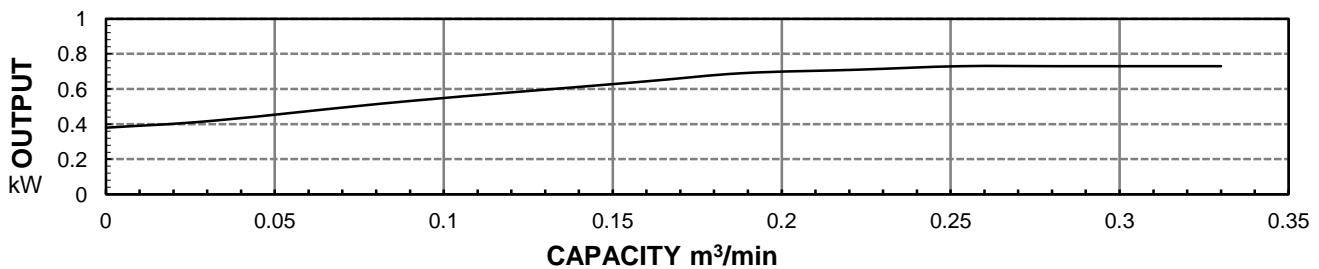
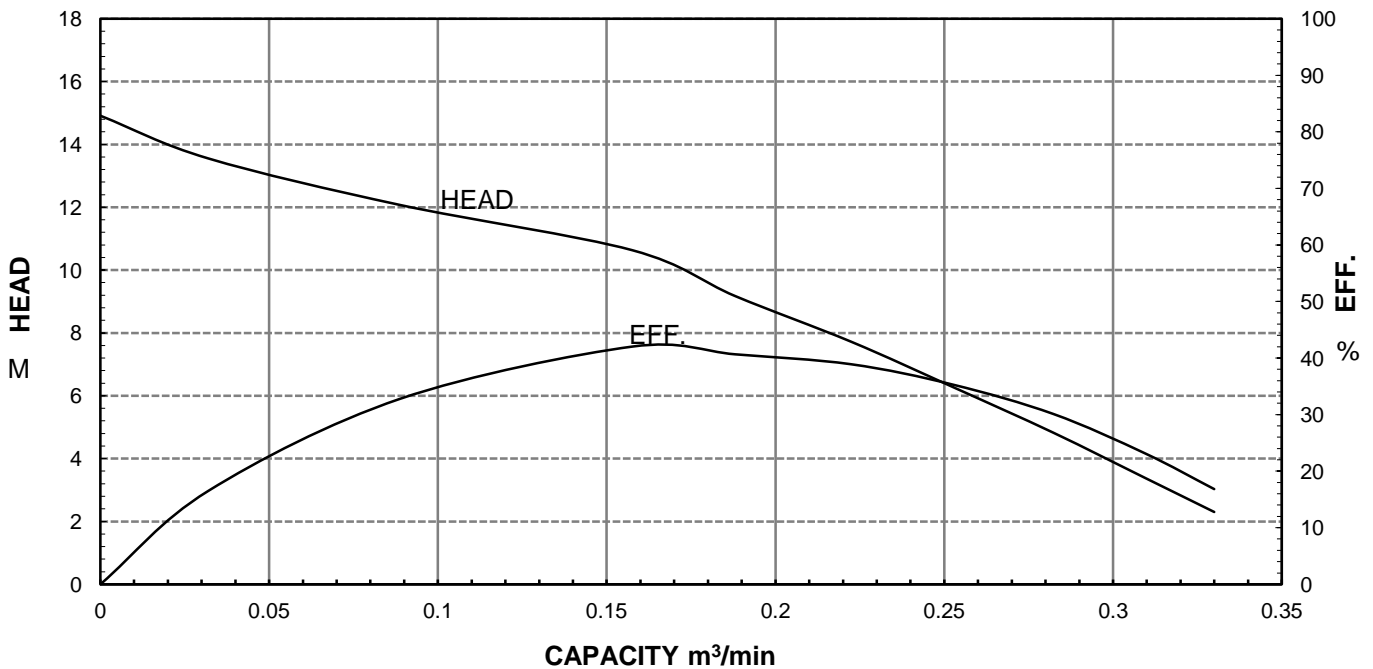


HCP PUMP

FILE NO PC-M-E5-SS21A1

PUMP PERFORMANCE CURVES

MODEL	SS-21A					DATE:	2011.12	
	STANDARD SPECIFICATION					REFERENCE SPECIFICATION		
FREQUENCY	50					Hz		
DISCHARGE	2	inch	/	50	mm			
OUTPUT	1	HP	/	0.75	kW	HP	kW	
HEAD	10					M		
CAPACITY	0.17					m ³ /min		
PHASE/VOLTAGE	1	φ	220 V	230 V	240 V		φ	V
RATED CURRENT		5.4 A	5.2 A	5.0 A				A
POLE / R.P.M.	2	P	/	2800	R.P.M.			
START METHOD	DIRECT							
INSULATION CLASS	B							
REMARK								



HCP PUMP MANUFACTURER CO.,LTD.

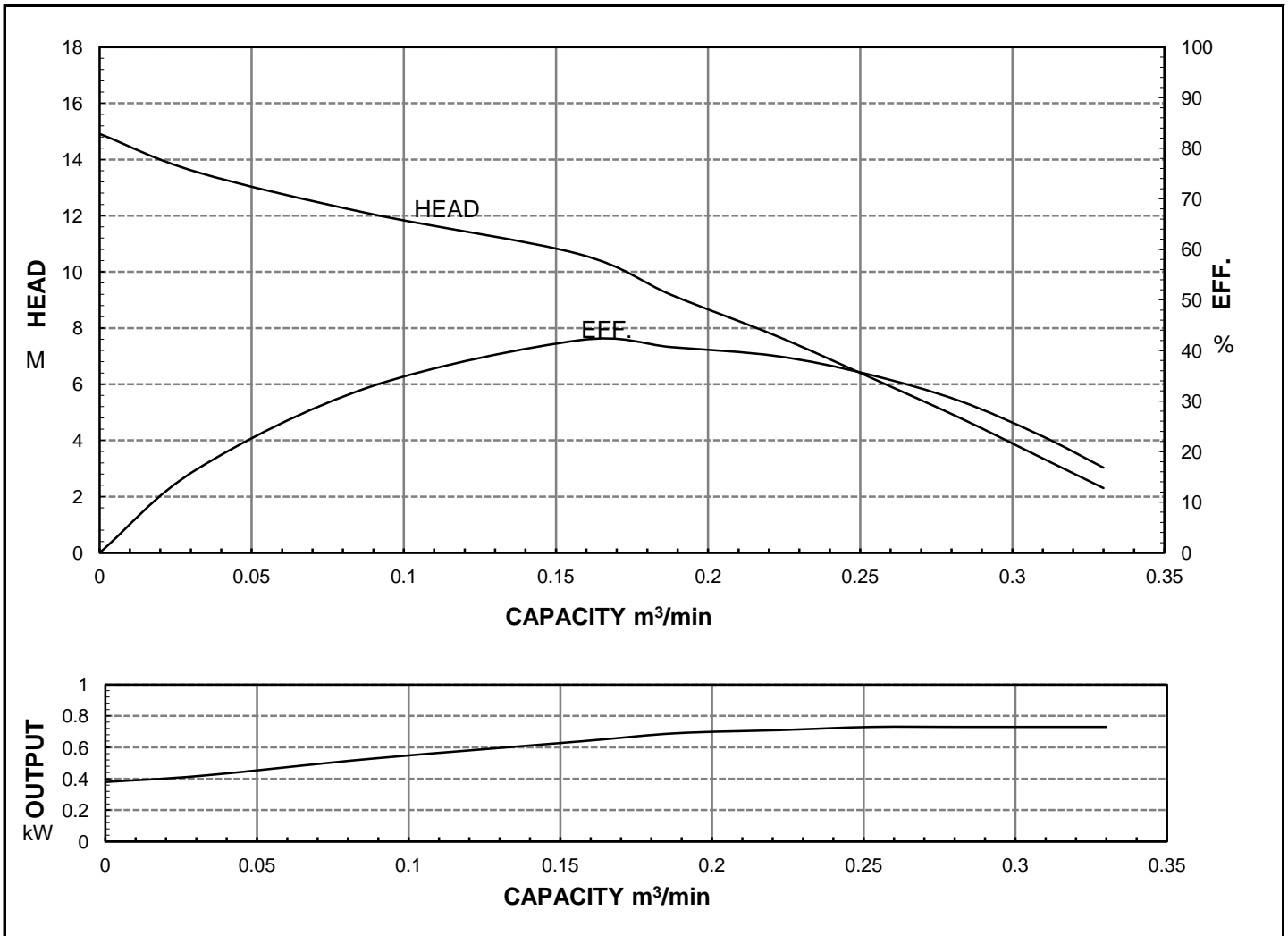


HCP PUMP

FILE NO PC-M-E5-SS21A3

PUMP PERFORMANCE CURVES

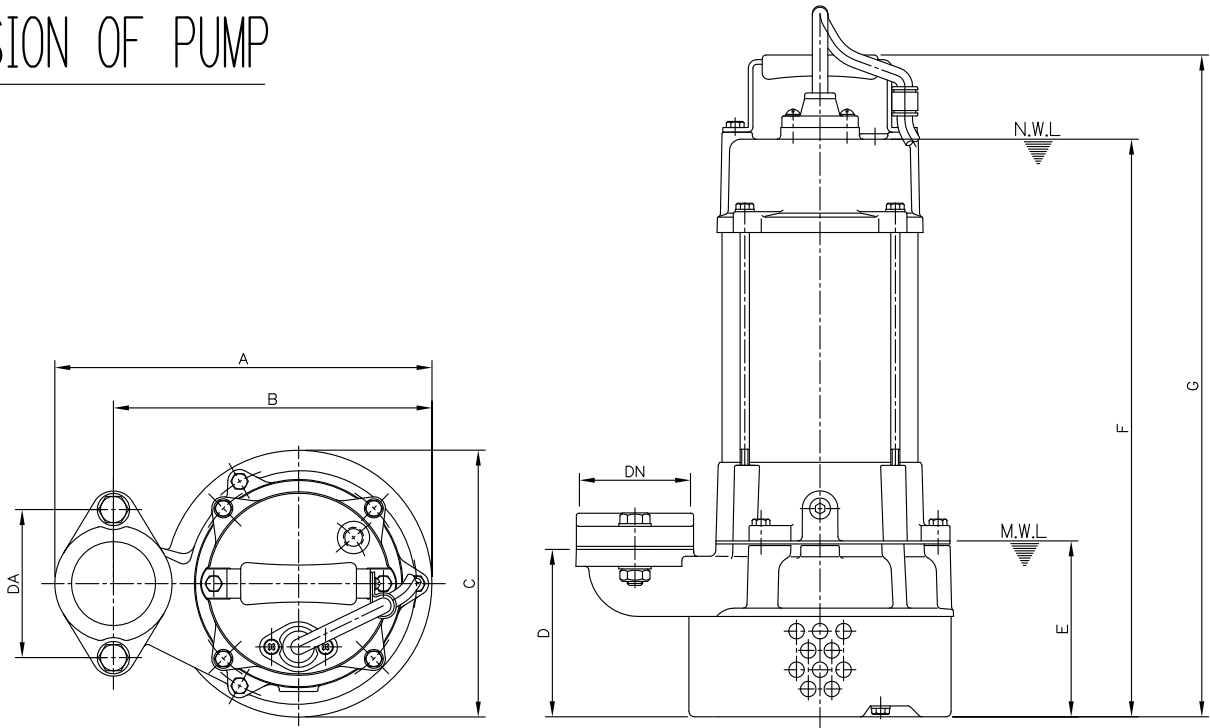
MODEL	SS-21A				DATE:	2011.12
	STANDARD SPECIFICATION				REFERENCE SPECIFICATION	
FREQUENCY	50			Hz		
DISCHARGE	2	inch	/	50	mm	
OUTPUT	1	HP	/	0.75	kW	HP kW
HEAD	10			M		
CAPACITY	0.17			m ³ /min		
PHASE/VOLTAGE	3 φ	230 V	380 V	400 V	415 V	φ V
RATED CURRENT		3.3 A	2.0 A	1.9 A	1.8 A	A
POLE / R.P.M.	2	P	/	2800	R.P.M.	
START METHOD	DIRECT					
INSULATION CLASS	B					
REMARK						



HCP PUMP MANUFACTURER CO.,LTD.

MODEL: SS-05A;SS-21A

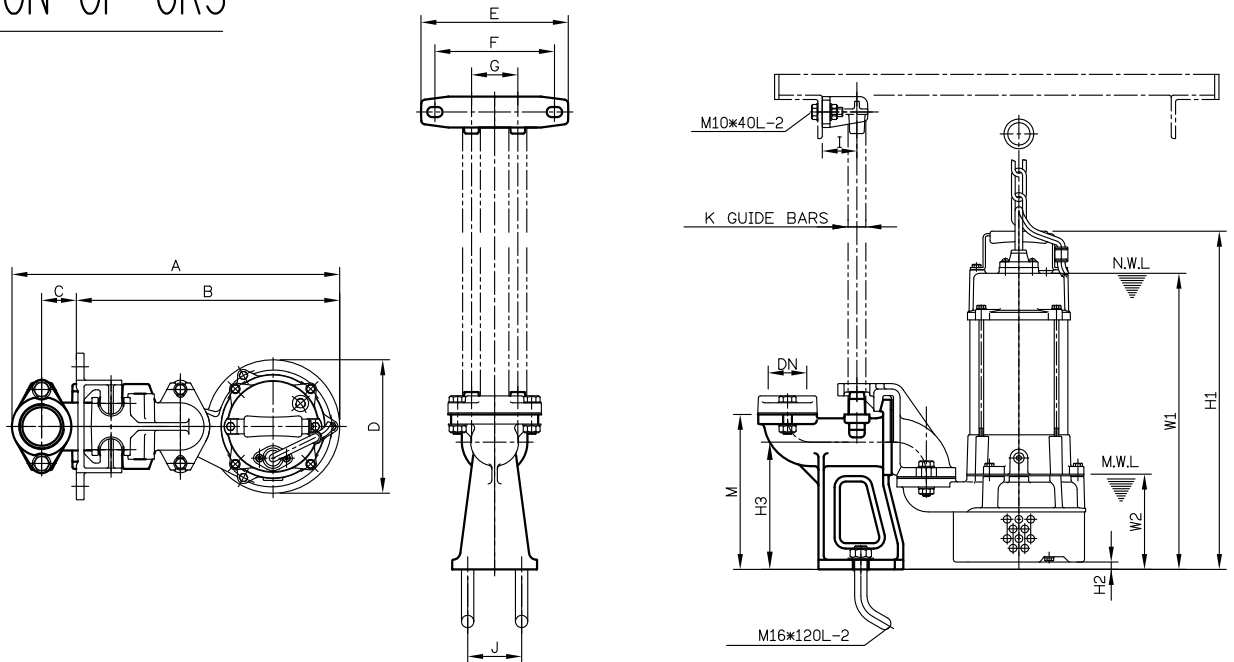
DIMENSION OF PUMP



Mode	DN	DA	A	B	C	D	E	F	G
SS-05A	50	207	245	207	174	109	115	385	439
SS-21A	50	207	245	207	174	109	115	385	439

N.W.L: Normal water level
M.W.L: Minimum water level

DIMENSION OF GRS



Model	DN	A	B	C	D	E	F	G	I	J	K	M	W1	W2	H1	H2	H3
SS-05A	50	425	342	45	173	190	155	60	50	70	3/4"	201	395	110	449	8	165
SS-21A	50	425	342	45	173	190	155	60	50	70	3/4"	201	395	110	449	8	165



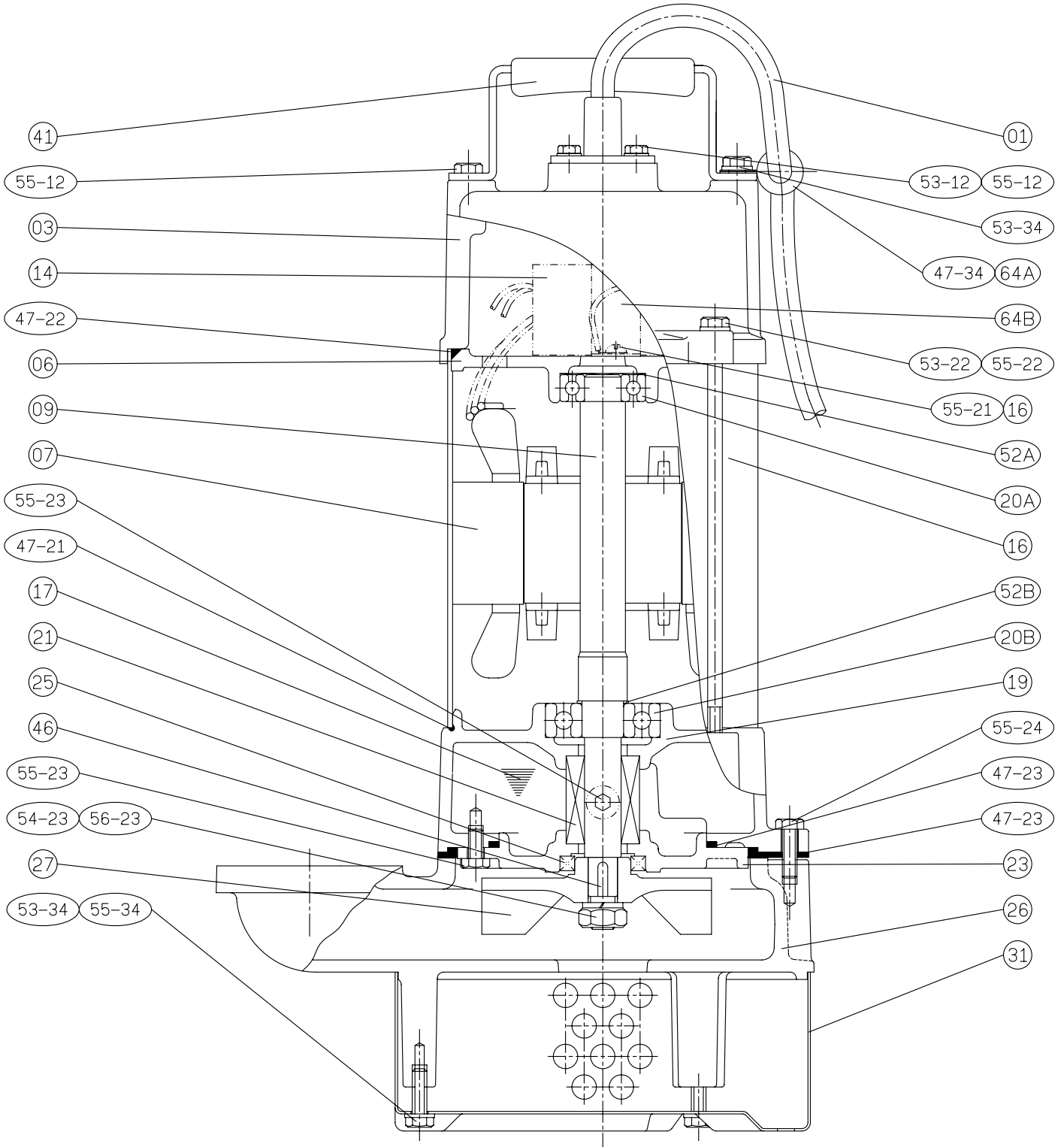
PUMP

SECTIONAL DRAWING

A2SS0204A10-00

DATE:2011-10

MODEL: SS-05A,SS-21A 1ø





PUMP

SECTIONAL DRAWING

A2SS0204A30-00

DATE:2011-10

MODEL: SS-05A,SS-21A 3Ø

