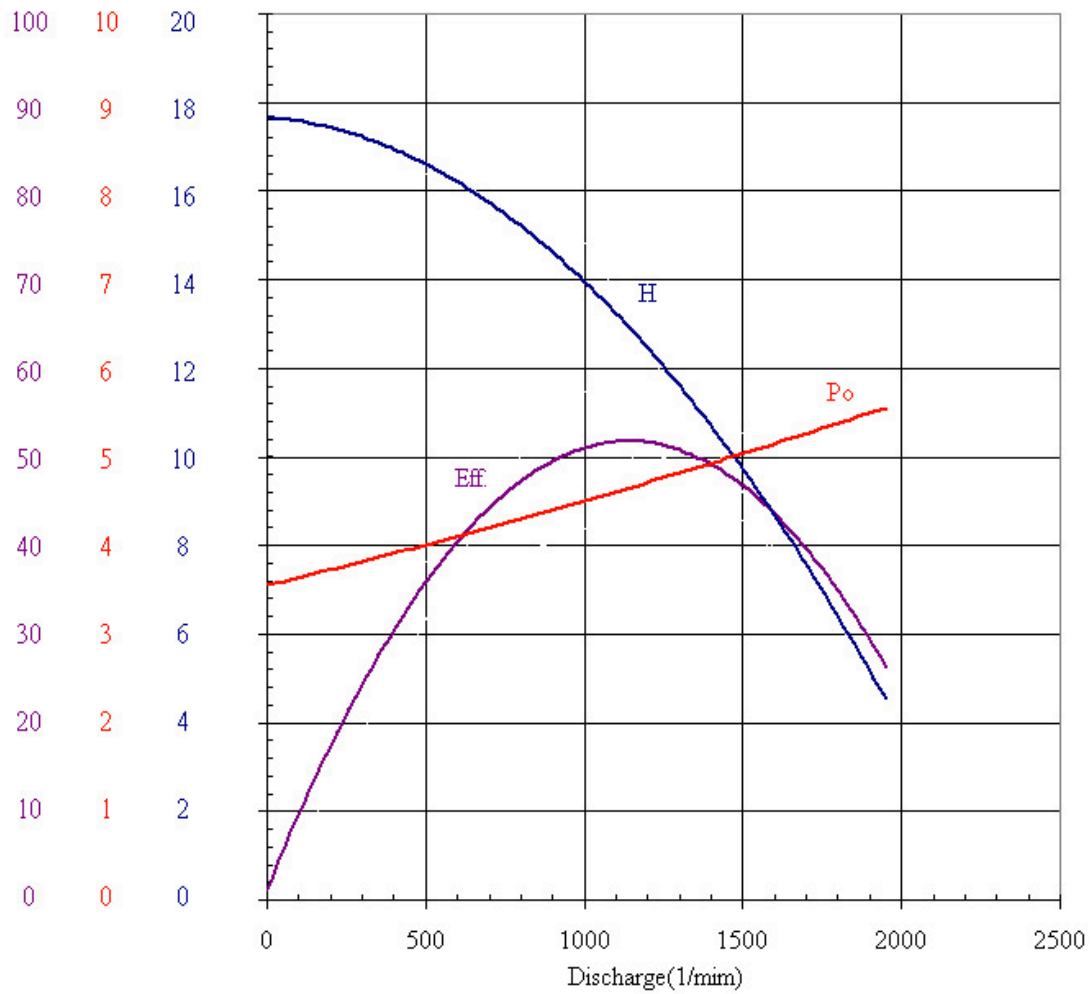


100KZN-45.5

Model	100KZN-45.5	Kw	5,5
Voltage	400-550VAC	RPM	1450
Discharge size	3"/80mm		
Max Head (m)	17	Max Flow	1500l/min
Best Efficiency point	900l/min@14m		
Maximum Solids \varnothing	25mm		
Weight (kg)	150	Frequency	50HZ

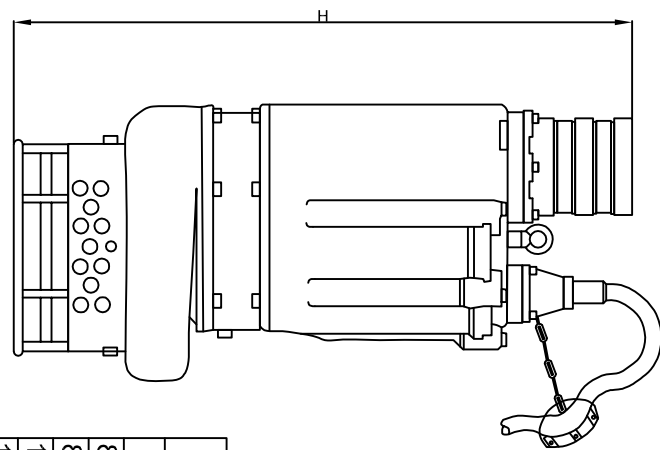
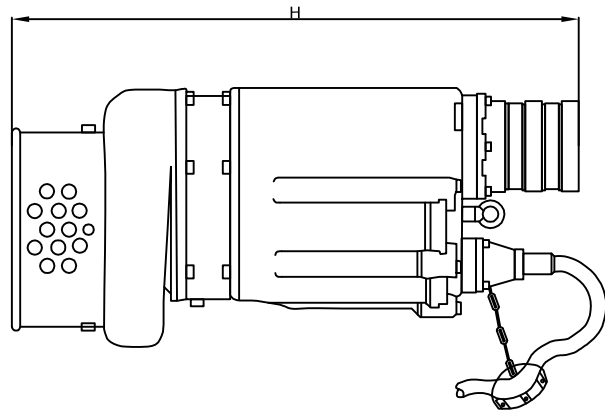
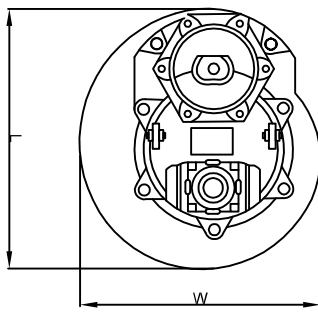
PUMP Performance Curve



Efficient Shaft Manometric
 % Output etric
 % Po(KW) H (M)

HCP Pumps SA
www.hcppumps.co.za
 T: +27 11 452 8116/7

1 2 3 4 5 6 7 8 9 10 11 12 13 14 15 16 17 18 19 20



KZ	Pump Type	L	W	H
	KZN			
80KZ43.7	80KZN43.7	420	410	790/820
80KZ45.5	80KZN45.5	420	410	790/820
100KZ45.5	100KZN45.5	420	410	790/820
100KZ47.5	100KZN47.5	420	410	820/840
100KZ47.5	100KZN47.5	420	410	820/840
100KZ4.110	100KZN4.110	565	485	950/1100
150KZ4.110	150KZN4.110	565	485	950/1100
150KZ4.150	150KZN4.150	565	485	950/1100
150KZ4.150	150KZN4.150	565	485	950/1100
200KZ4.220	200KZN4.220	578	543	1280/1325
200KZ4.220	200KZN4.220	578	543	1280/1325

Tel: 011 452-8116/7/9

Fax: 011 452-8145

premielid: +27 (0)82 557 6800

(Please use this when Telkom is down)

Skype: sunthha.gov

E-mail: sunthha@hccpumps.co.za

Website: www.hccpumps.co.za



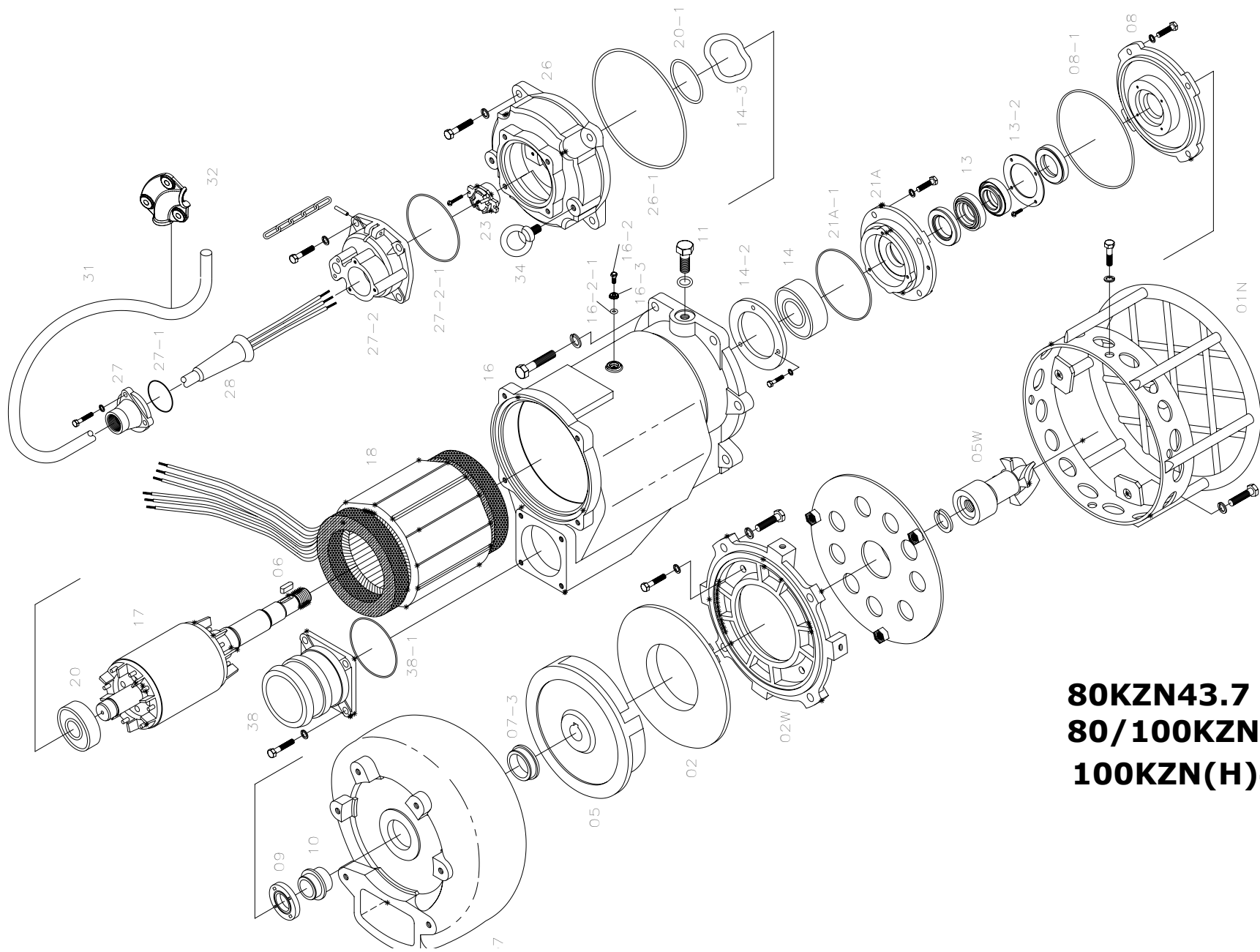
SCHEMATIC DIAGRAM
SHEET 01 OF 01

CLIENT REF :
EJ'S REF : 612
DWG No. : 612E001

REV	DATE	DESCRIPTION	MARKS	BY	CHKD
0	26/02/14	FDR APPROVAL			

SHEET SIZE : A4

REV 0



80KZN43.7
80/100KZN45.5
100KZN(H)47.5