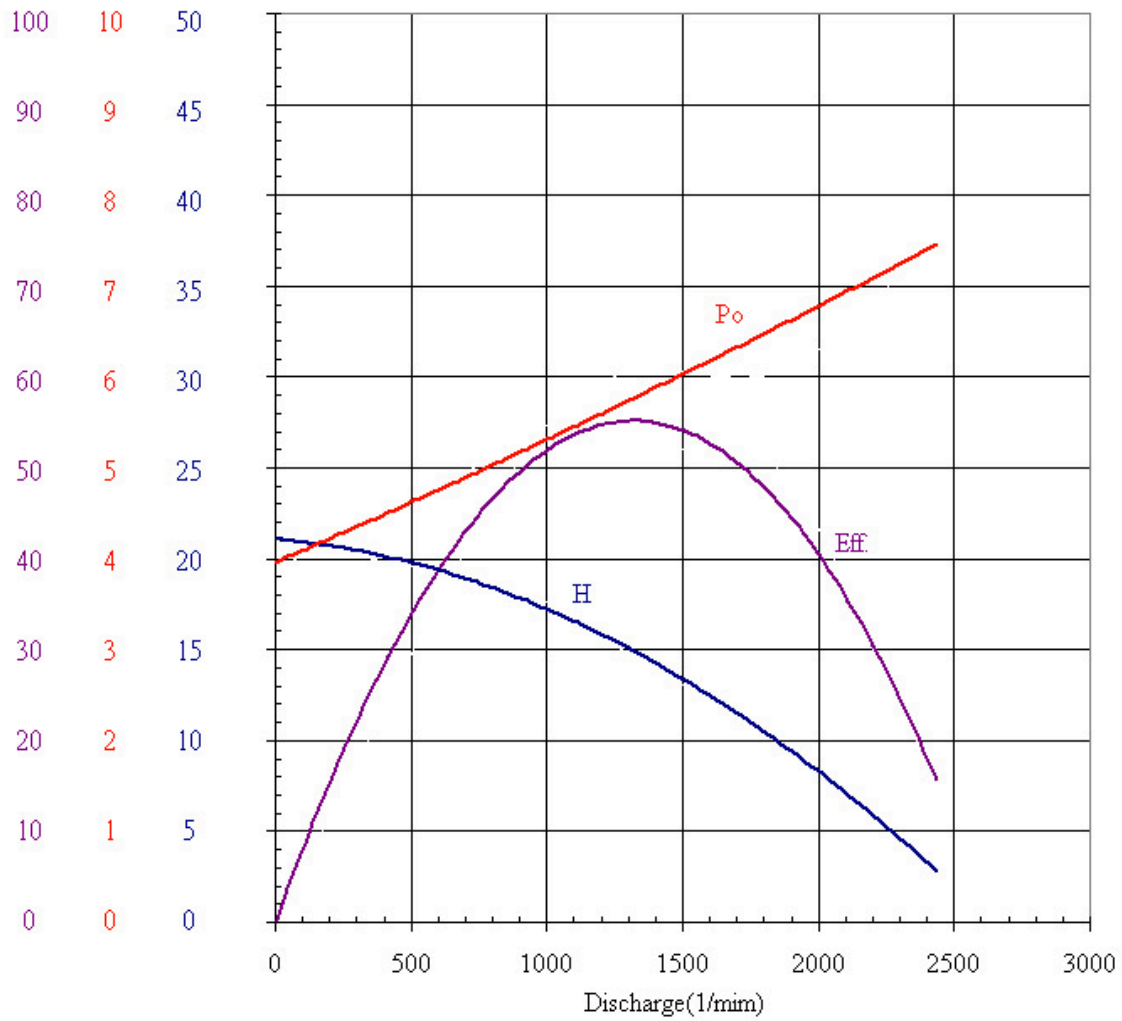


# 100KZN-47.5

<b>Model</b>	100KZN-47.5	<b>Kw</b>	7,5
<b>Voltage</b>	400-550VAC	<b>RPM</b>	1450
<b>Discharge size</b>	4"/100mm		
<b>Max Head (m)</b>	22	<b>Max Flow</b>	2000l/min
<b>Best Efficiency point</b>	1300l/min@15m		
<b>Maximum Solids <math>\varnothing</math></b>	25mm		
<b>Weight (kg)</b>	180	<b>Frequency</b>	50HZ

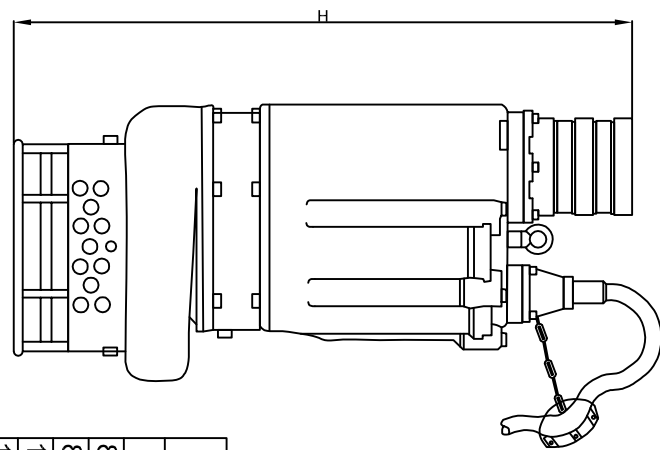
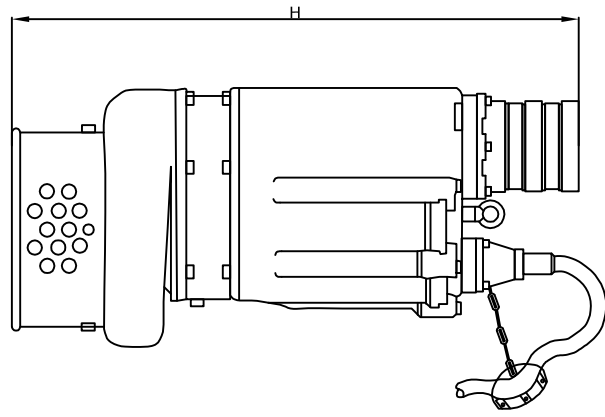
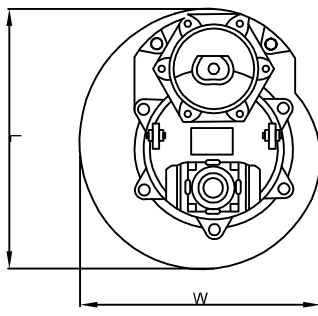
**PUMP Performance Curve**



Effic- Shaft Manom-  
 ient Output etric  
 % Po(KW) H(M)

**HCP Pumps SA**  
[www.hcppumps.co.za](http://www.hcppumps.co.za)  
 T: +27 11 452 8116/7

1 2 3 4 5 6 7 8 9 10 11 12 13 14 15 16 17 18 19 20



KZ	Pump Type	L	W	H
	KZN			
80KZ43.7	80KZN43.7	420	410	790/820
80KZ45.5	80KZN45.5	420	410	790/820
100KZ45.5	100KZN45.5	420	410	790/820
100KZ47.5	100KZN47.5	420	410	820/840
100KZ47.5	100KZN47.5	420	410	820/840
100KZ4.110	100KZN4.110	565	485	950/1100
150KZ4.110	150KZN4.110	565	485	950/1100
150KZ4.150	150KZN4.150	565	485	950/1100
150KZ4.150	150KZN4.150	565	485	950/1100
200KZ4.220	200KZN4.220	578	543	1280/1325
200KZ4.220	200KZN4.220	578	543	1280/1325

Tel: 011 452-8116/7/9

Fax: 011 452-8145

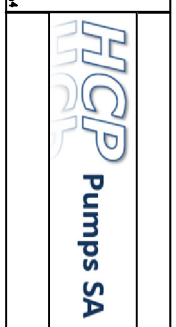
premielid: +27 (0)82 557 6800

(Please use this when Telkom is down)

Skype: sunthha.gov

E-mail: [sunthha@hccpumps.co.za](mailto:sunthha@hccpumps.co.za)

Website: [www.hccpumps.co.za](http://www.hccpumps.co.za)



SCHEMATIC DIAGRAM

SHEET 01 OF 01

CLIENT REF :

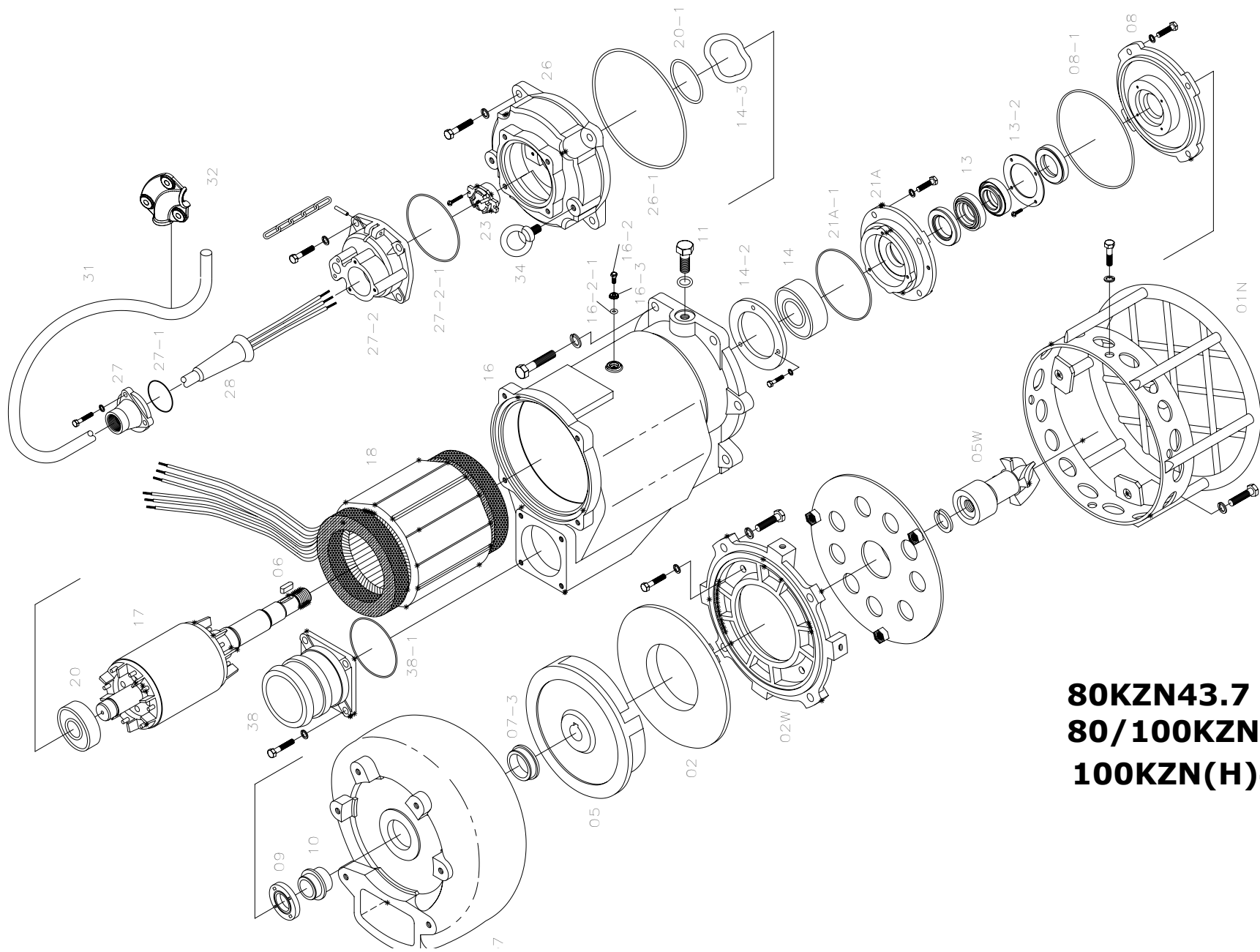
EJ'S REF : 612

DWG No. : 612E001

REV 0

REV	DATE	DESCRIPTION	MARKED BY	CHECK
0	26/02/14	FDR APPROVAL	EJ	SK

A B C D E F G H I J K L



**80KZN43.7**  
**80/100KZN45.5**  
**100KZN(H)47.5**