

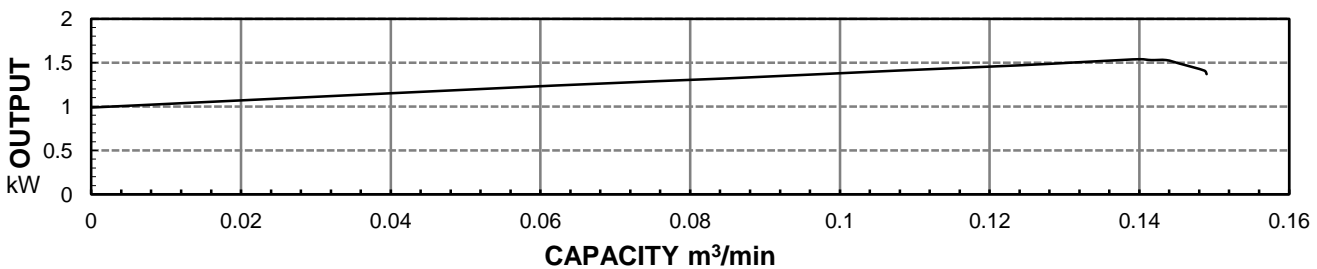
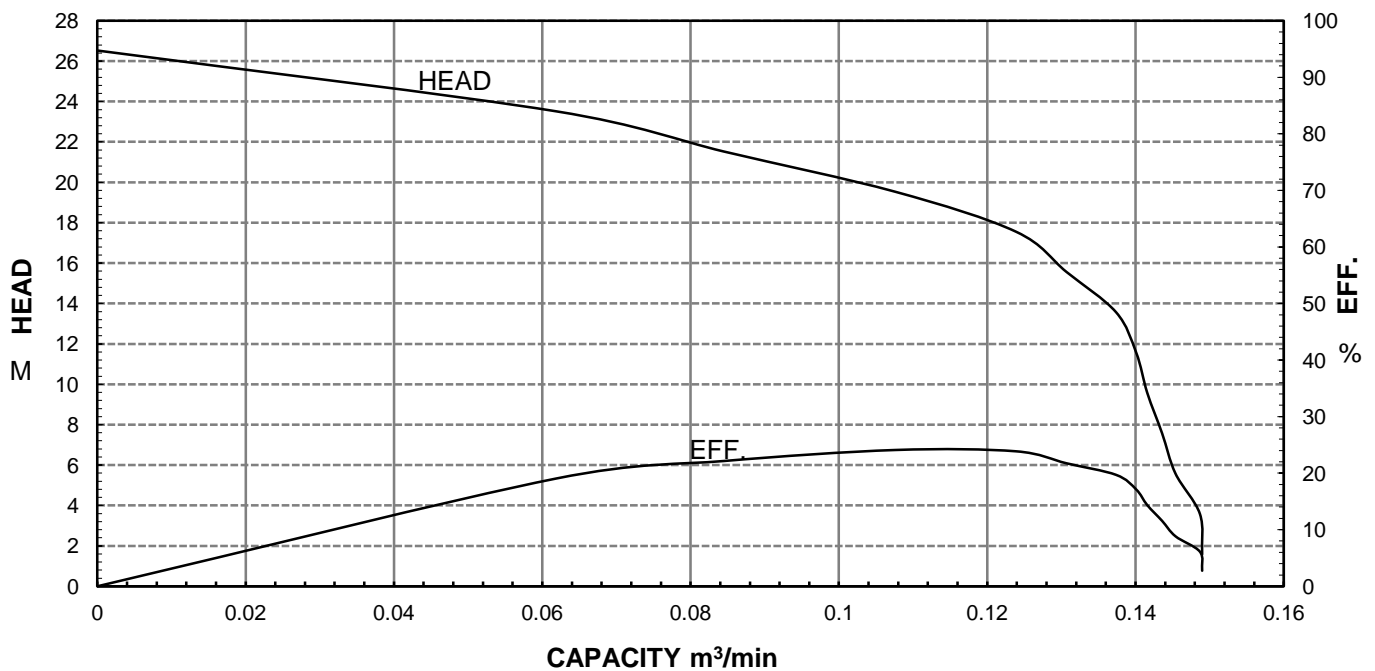


HCP PUMP

FILE NO PC-M-E5-32GF21.51

PUMP PERFORMANCE CURVES

MODEL	32GF21.5					DATE:	2011.12	
	STANDARD SPECIFICATION					REFERENCE SPECIFICATION		
FREQUENCY	50				Hz			
DISCHARGE	1¼	inch	/	32	mm			
OUTPUT	2	HP	/	1.5	kW	HP	kW	
HEAD	23				M			
CAPACITY	0.06				m ³ /min			
PHASE/VOLTAGE	1 φ	220 V	230 V	240 V			φ	V
RATED CURRENT		10.4 A	10.0 A	9.8 A				A
POLE / R.P.M.	2	P	/	2850	R.P.M.			
START METHOD	DIRECT							
INSULATION CLASS	B							
REMARK								



HCP PUMP MANUFACTURER CO.,LTD.

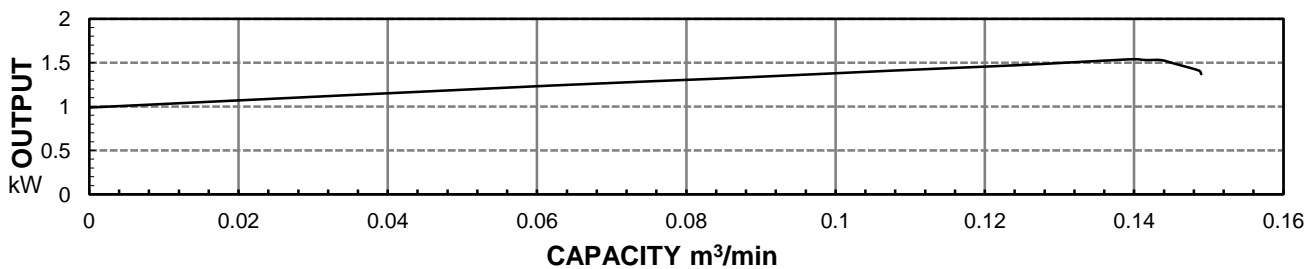
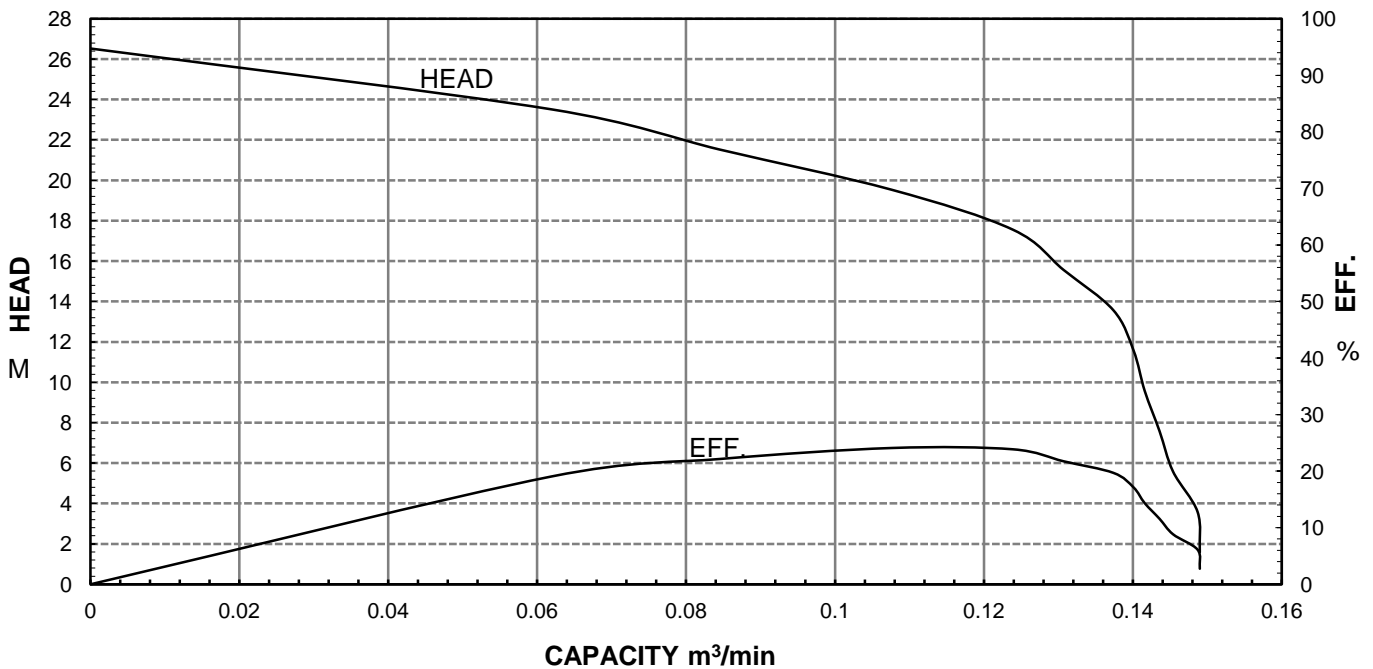


HCP PUMP

FILE NO PC-M-E5-32GF21.53

PUMP PERFORMANCE CURVES

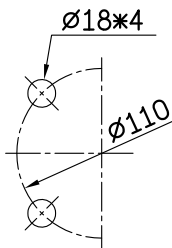
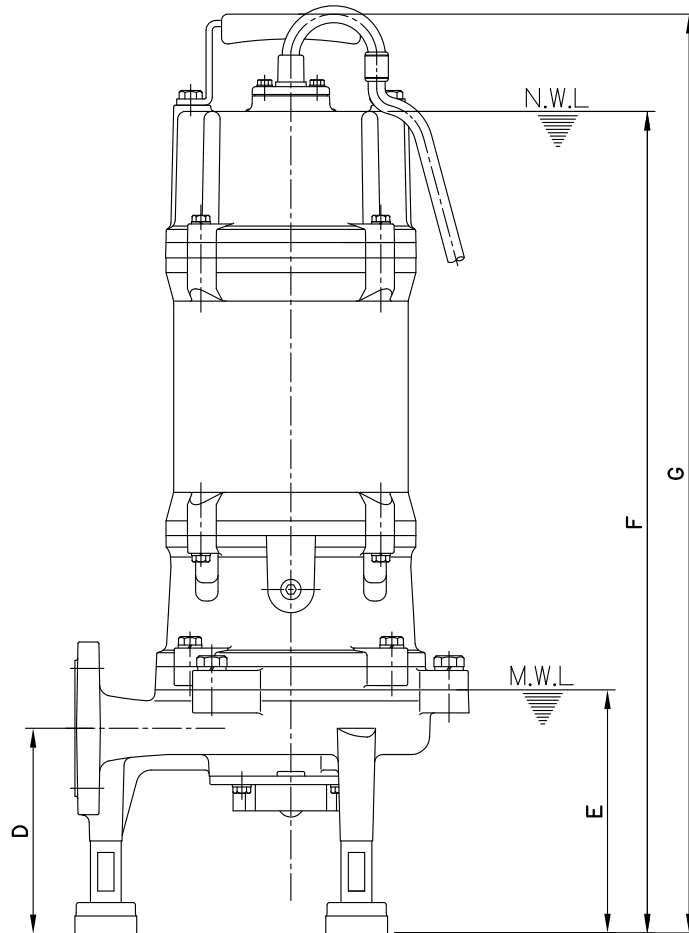
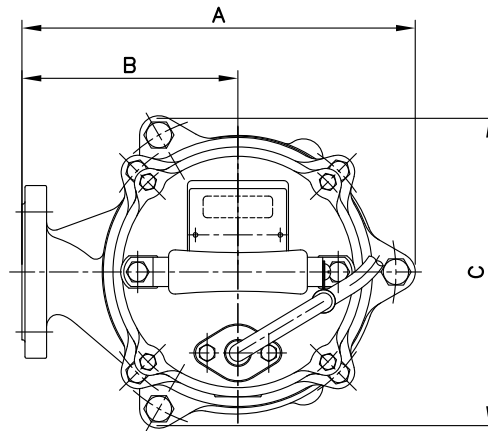
MODEL	32GF21.5				DATE:	2011.12
	STANDARD SPECIFICATION				REFERENCE SPECIFICATION	
FREQUENCY	50			Hz		
DISCHARGE	1¼	inch	/	32	mm	
OUTPUT	2	HP	/	1.5	kW	HP kW
HEAD	23			M		
CAPACITY	0.06			m ³ /min		
PHASE/VOLTAGE	3 φ	230 V	380 V	400 V	415 V	φ V
RATED CURRENT		6.1 A	3.6 A	3.5 A	3.4 A	A
POLE / R.P.M.	2	P	/	2850	R.P.M.	
START METHOD	DIRECT					
INSULATION CLASS	B					
REMARK						



HCP PUMP MANUFACTURER CO.,LTD.

MODEL:32GF21.5DN40;32GF22.2DN40

DIMENSION OF PUMP



Model	A	B	C	D	E	F	G
32GF21.5DN40	255	140	203	133	160	483(533)	546(596)
32GF22.2DN40	255	140	203	133	160	483(566)	546(630)

Remark: ()Dimensions in 1Ø

N.W.L: Normal water level

M.W.L: Minimum water level



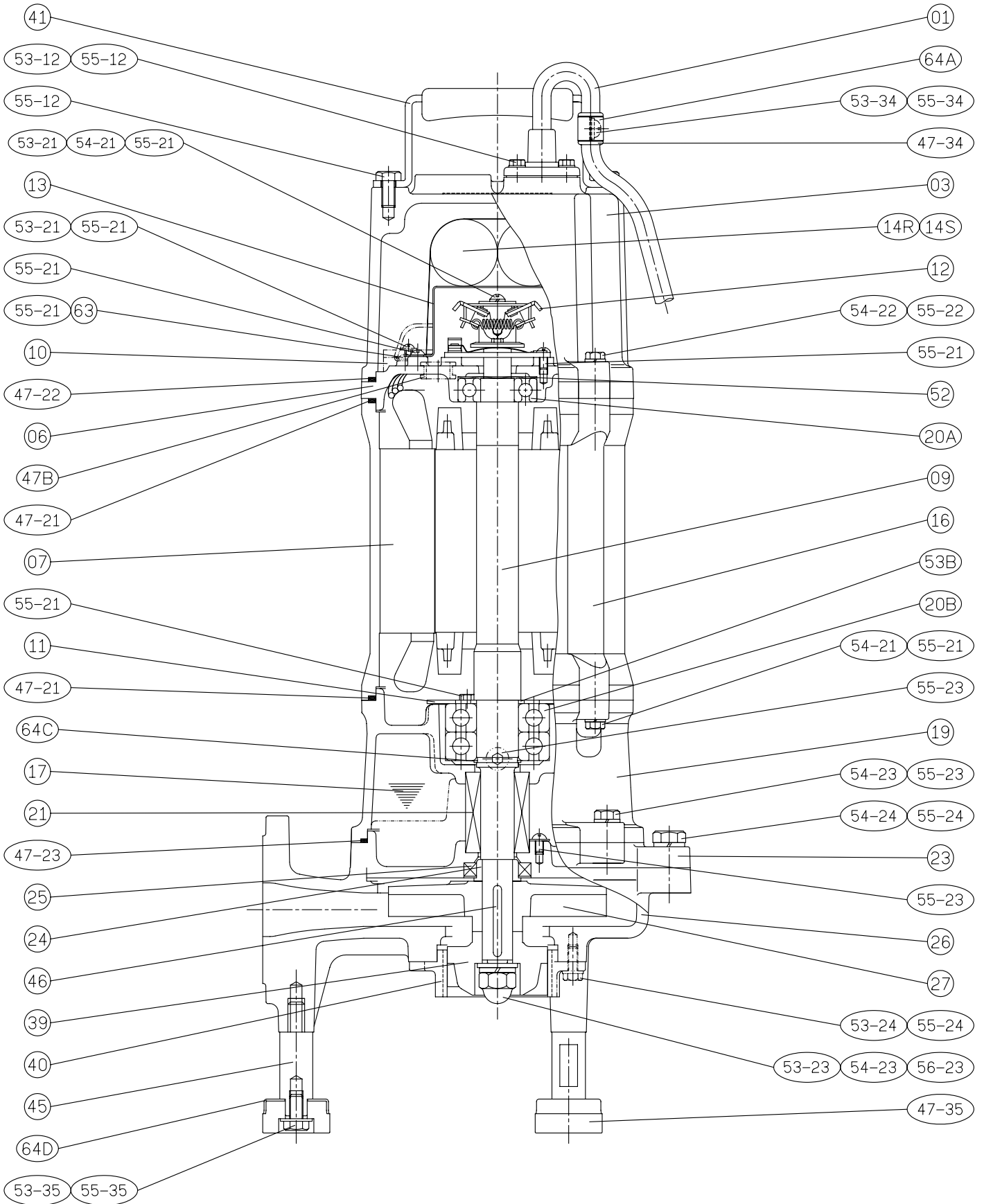
PUMP

SECTIONAL DRAWING

AFGF0222010-01

DATE:2011-10

MODEL: 32GF22.2 DN40 1Ø





PUMP

SECTIONAL DRAWING

AFGF0212030-01

DATE:2011-10

MODEL: 32GF21.2,32GF21.5,32GF22.2 DN40 3Ø

