

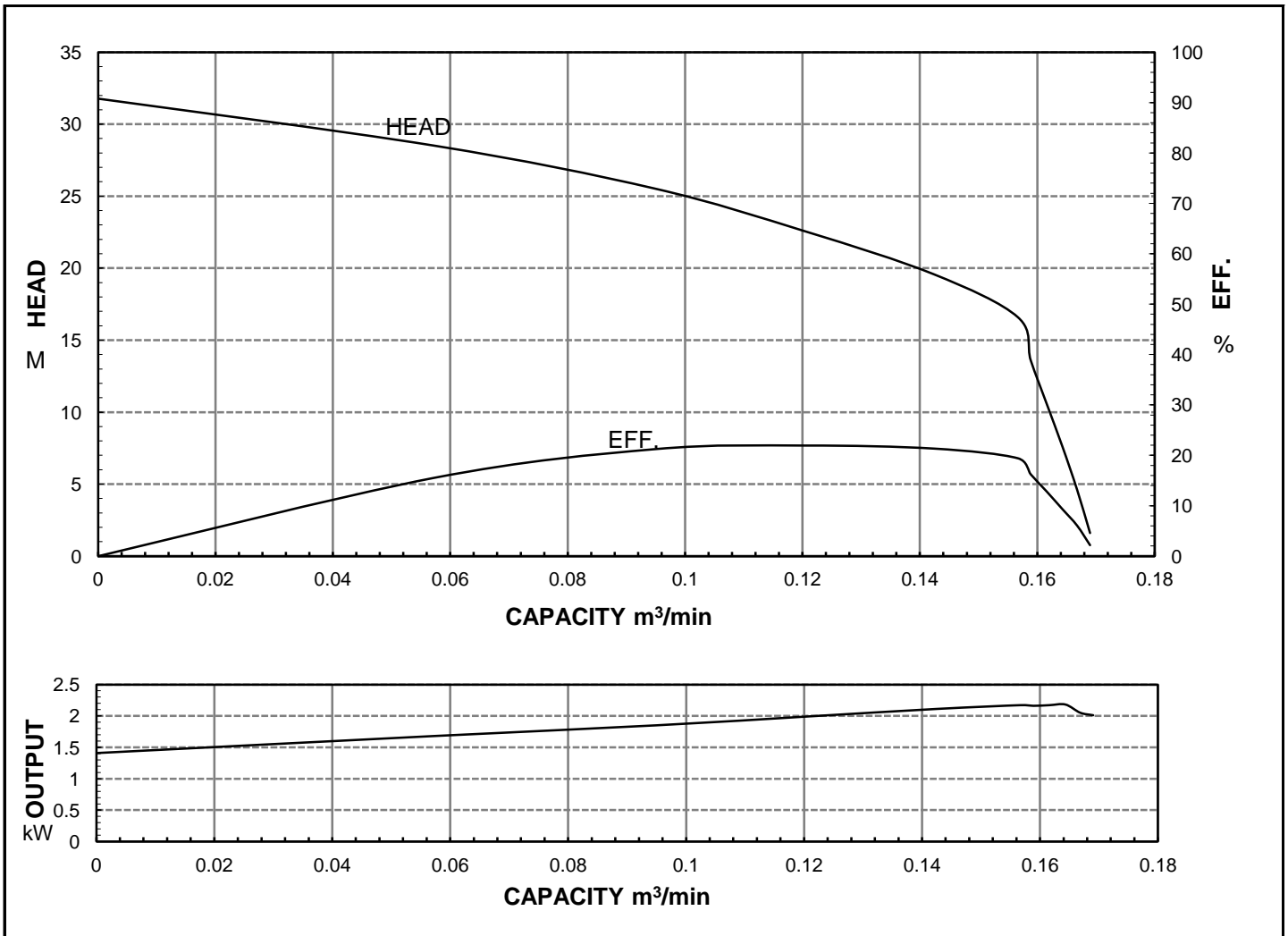


# HCP PUMP

FILE NO PC-M-E5-32GF22.21

## PUMP PERFORMANCE CURVES

|                  |                        |        |        |        |                     |                         |         |   |
|------------------|------------------------|--------|--------|--------|---------------------|-------------------------|---------|---|
| MODEL            | 32GF22.2               |        |        |        |                     | DATE:                   | 2011.12 |   |
|                  | STANDARD SPECIFICATION |        |        |        |                     | REFERENCE SPECIFICATION |         |   |
| FREQUENCY        | 50                     |        |        |        | Hz                  |                         |         |   |
| DISCHARGE        | 1¼                     | inch   | /      | 32     | mm                  |                         |         |   |
| OUTPUT           | 3                      | HP     | /      | 2.2    | kW                  | HP                      | kW      |   |
| HEAD             | 28                     |        |        |        | M                   |                         |         |   |
| CAPACITY         | 0.06                   |        |        |        | m <sup>3</sup> /min |                         |         |   |
| PHASE/VOLTAGE    | 1 φ                    | 220 V  | 230 V  | 240 V  |                     |                         | φ       | V |
| RATED CURRENT    |                        | 15.0 A | 14.6 A | 14.4 A |                     |                         |         | A |
| POLE / R.P.M.    | 2                      | P      | /      | 2840   | R.P.M.              |                         |         |   |
| START METHOD     | DIRECT                 |        |        |        |                     |                         |         |   |
| INSULATION CLASS | B                      |        |        |        |                     |                         |         |   |
| REMARK           |                        |        |        |        |                     |                         |         |   |



HCP PUMP MANUFACTURER CO.,LTD.

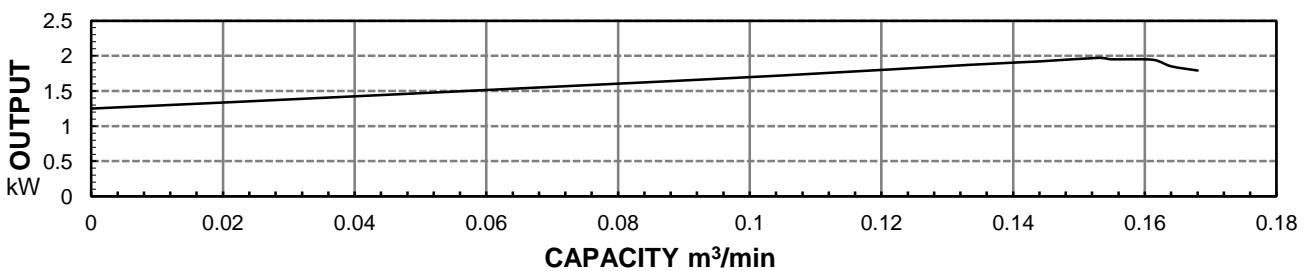
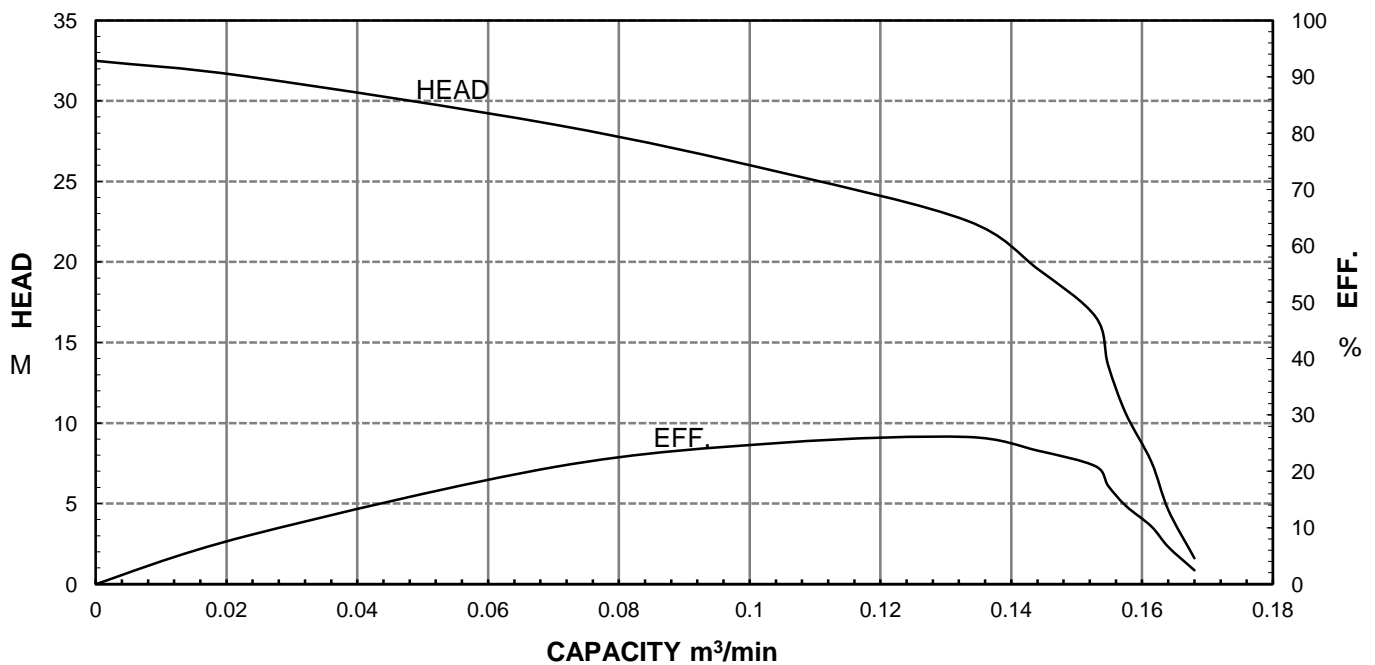


# HCP PUMP

FILE NO PC-M-E5-32GF22.23

## PUMP PERFORMANCE CURVES

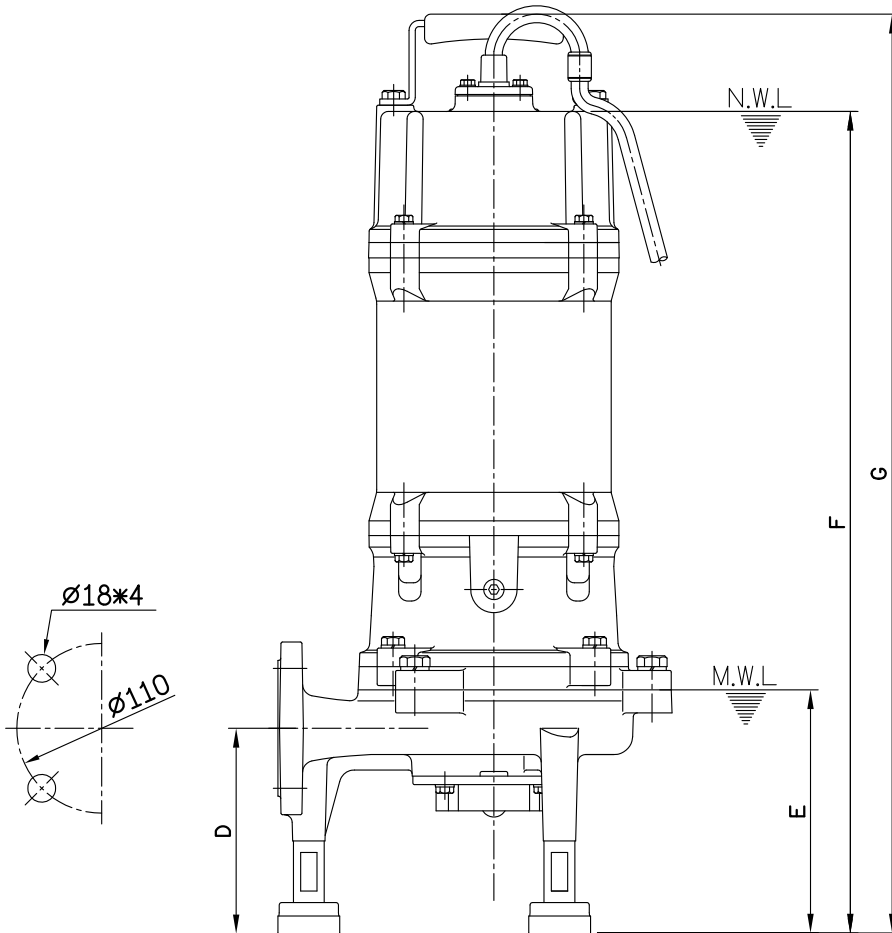
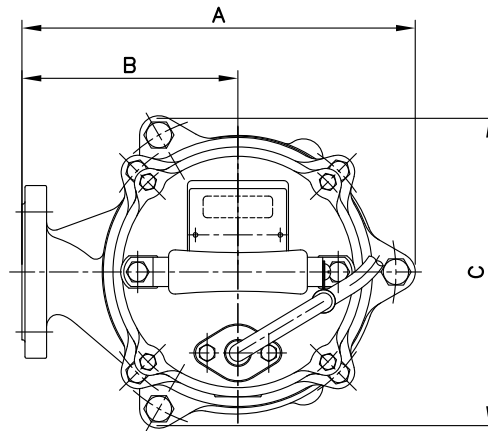
|                  |                        |       |       |                     |                         |            |
|------------------|------------------------|-------|-------|---------------------|-------------------------|------------|
| MODEL            | 32GF22.2               |       |       |                     | DATE:                   | 2011.12    |
|                  | STANDARD SPECIFICATION |       |       |                     | REFERENCE SPECIFICATION |            |
| FREQUENCY        | 50                     |       |       | Hz                  |                         |            |
| DISCHARGE        | 1¼                     | inch  | /     | 32                  | mm                      |            |
| OUTPUT           | 3                      | HP    | /     | 2.2                 | kW                      | HP      kW |
| HEAD             | 29                     |       |       | M                   |                         |            |
| CAPACITY         | 0.06                   |       |       | m <sup>3</sup> /min |                         |            |
| PHASE/VOLTAGE    | 3 φ                    | 230 V | 380 V | 400 V               | 415 V                   | φ      V   |
| RATED CURRENT    |                        | 8.6 A | 5.1 A | 5.0 A               | 4.8 A                   | A          |
| POLE / R.P.M.    | 2                      | P     | /     | 2840                | R.P.M.                  |            |
| START METHOD     | DIRECT                 |       |       |                     |                         |            |
| INSULATION CLASS | B                      |       |       |                     |                         |            |
| REMARK           |                        |       |       |                     |                         |            |



HCP PUMP MANUFACTURER CO.,LTD.

MODEL:32GF21.5DN40;32GF22.2DN40

DIMENSION OF PUMP



| Model        | A   | B   | C   | D   | E   | F        | G        |
|--------------|-----|-----|-----|-----|-----|----------|----------|
| 32GF21.5DN40 | 255 | 140 | 203 | 133 | 160 | 483(533) | 546(596) |
| 32GF22.2DN40 | 255 | 140 | 203 | 133 | 160 | 483(566) | 546(630) |

Remark: ( )Dimensions in 1Ø

N.W.L: Normal water level

M.W.L: Minimum water level



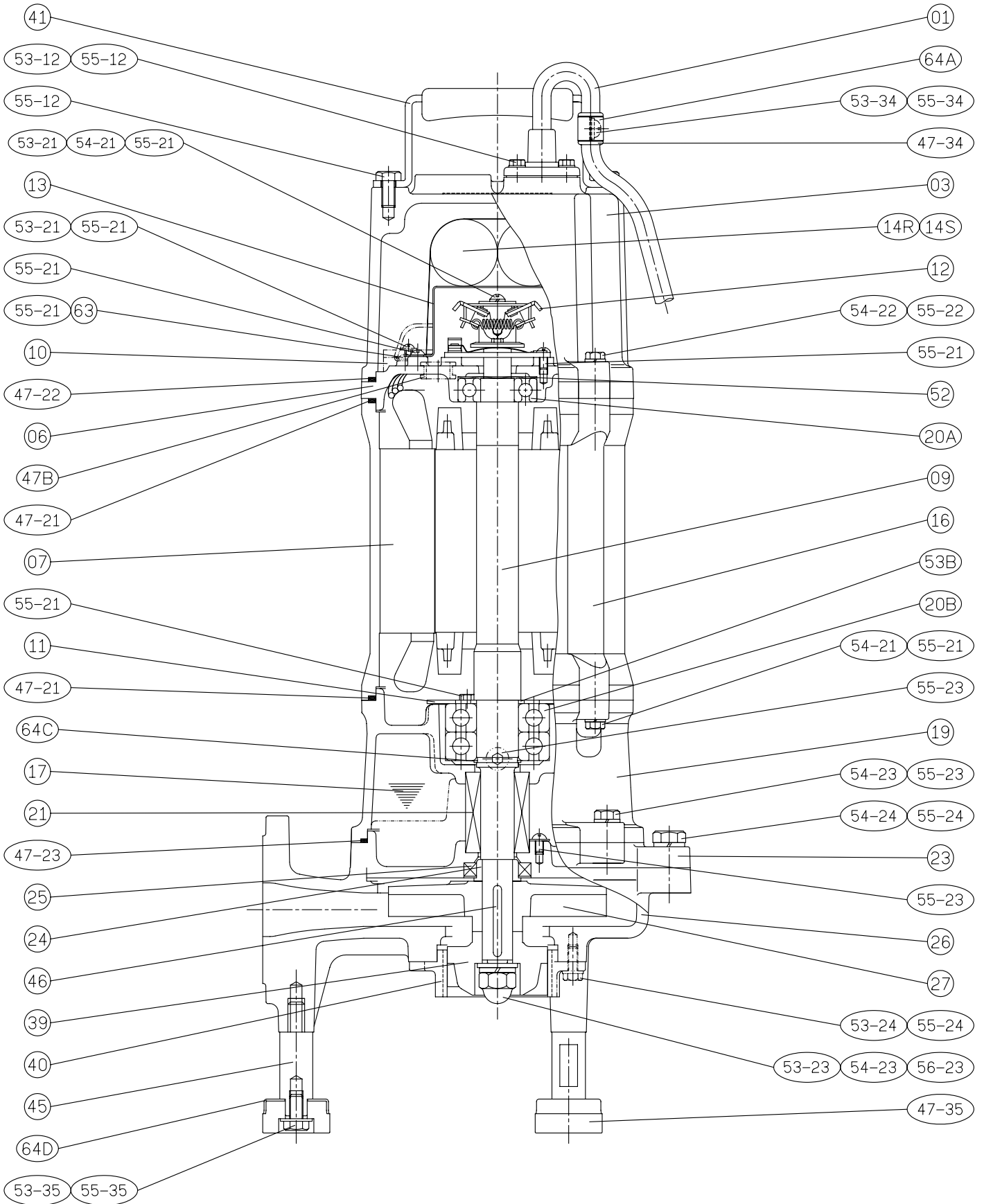
PUMP

SECTIONAL DRAWING

AFGF0222010-01

DATE:2011-10

MODEL: 32GF22.2 DN40 1Ø





PUMP

SECTIONAL DRAWING

AFGF0212030-01

DATE:2011-10

MODEL: 32GF21.2,32GF21.5,32GF22.2 DN40 3Ø

