

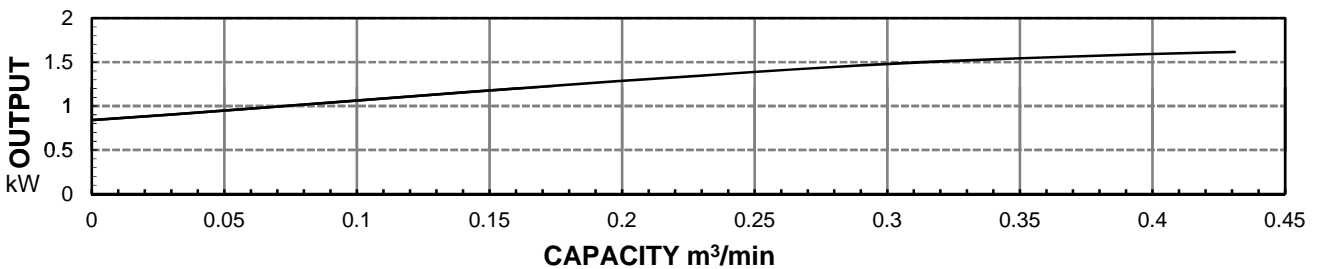
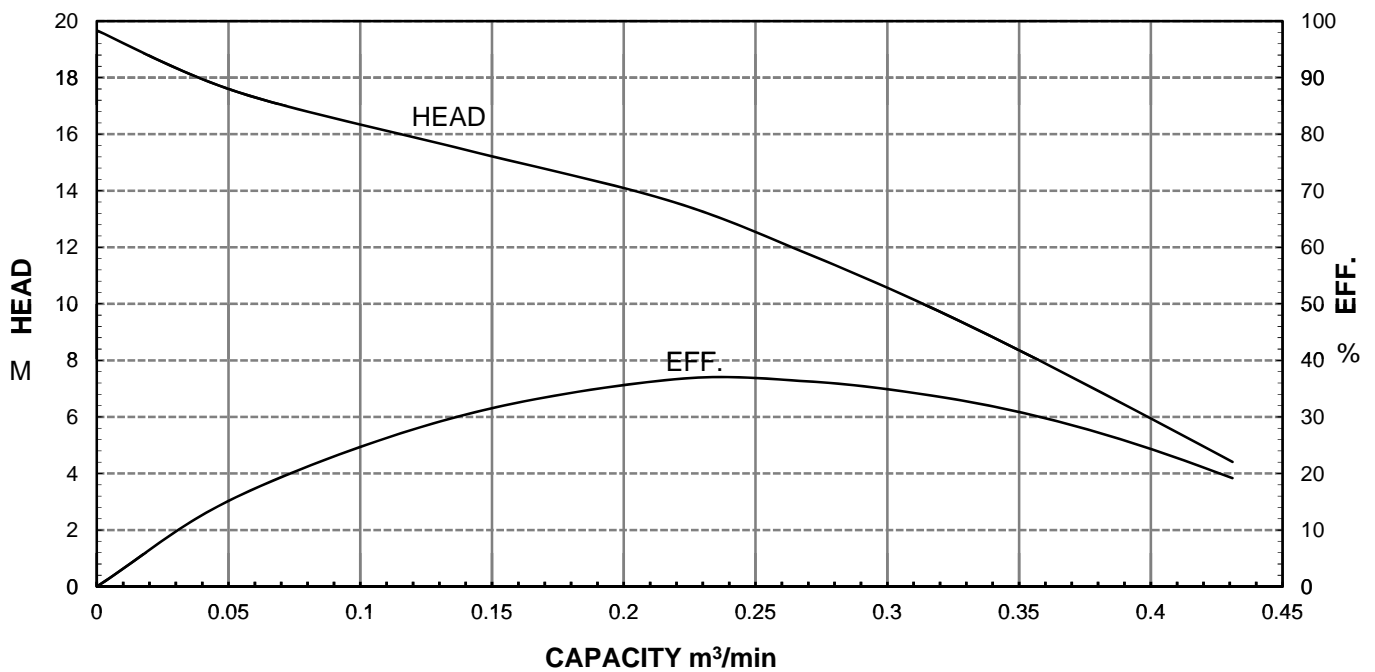


# HCP PUMP

FILE NO PC-M-E5-50AFU21.51

## PUMP PERFORMANCE CURVES

MODEL	50AFU21.5					DATE:	2013.1
	STANDARD SPECIFICATION					REFERENCE SPECIFICATION	
FREQUENCY	50				Hz		
DISCHARGE	2	inch	/	50	mm		
OUTPUT	2	HP	/	1.5	kW	HP	kW
HEAD	14				M		
CAPACITY	0.2				m <sup>3</sup> /min		
PHASE/VOLTAGE	1 $\phi$	220 V	230 V	240 V		$\phi$	V
RATED CURRENT		10.4 A	10.0 A	9.8 A			A
POLE / R.P.M.	2	P	/	2820	R.P.M.		
START METHOD	DIRECT						
INSULATION CLASS	B						
REMARK	For reference only						



**HCP PUMP MANUFACTURER CO.,LTD.**

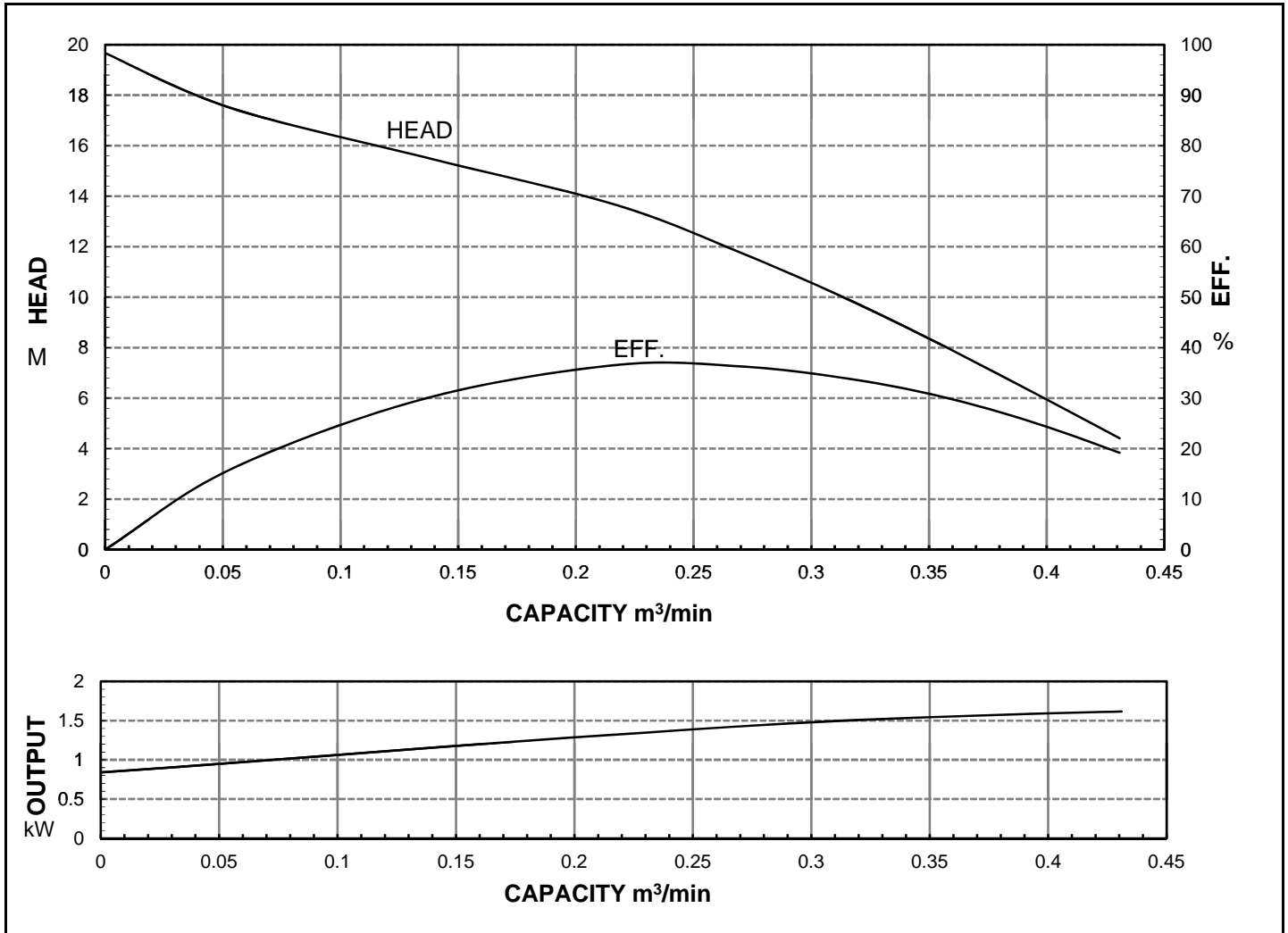


# HCP PUMP

FILE NO PC-M-E5-50AFU21.53

## PUMP PERFORMANCE CURVES

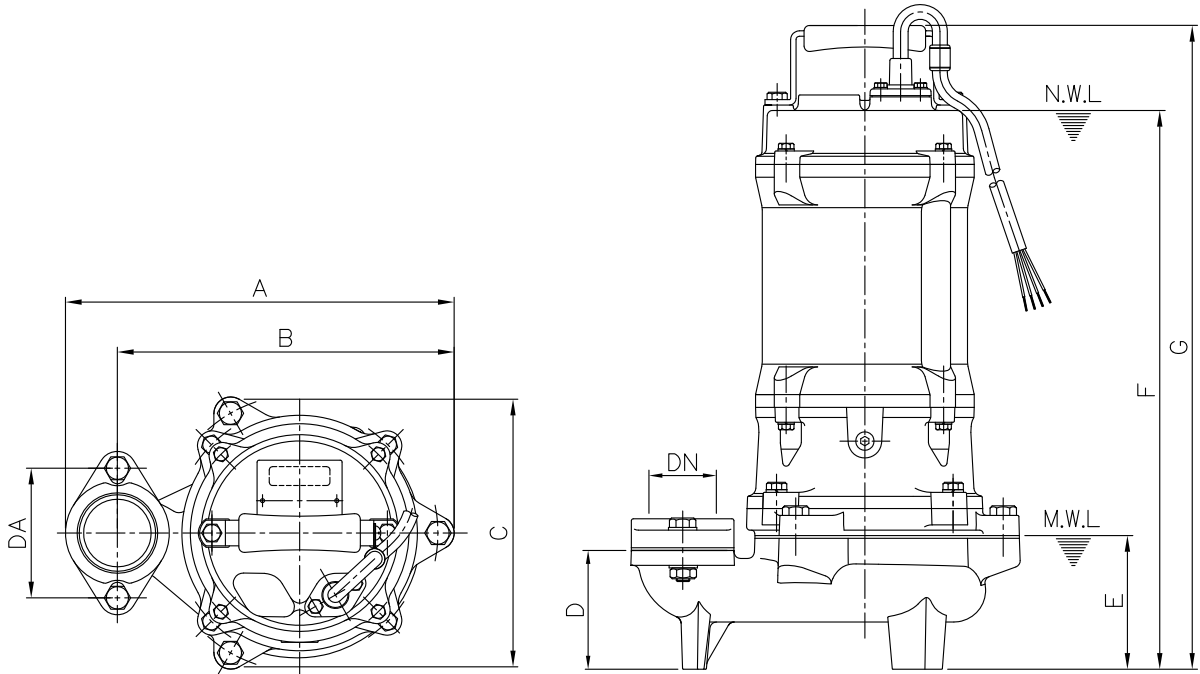
MODEL	50AFU21.5				DATE:	2013.1
	STANDARD SPECIFICATION				REFERENCE SPECIFICATION	
FREQUENCY	50			Hz		
DISCHARGE	2	inch	/	50	mm	
OUTPUT	2	HP	/	1.5	kW	HP      kW
HEAD	14			M		
CAPACITY	0.2			m <sup>3</sup> /min		
PHASE/VOLTAGE	3 φ	230 V	380 V	400 V	415 V	φ      V
RATED CURRENT		6.1 A	3.6 A	3.5 A	3.4 A	A
POLE / R.P.M.	2	P	/	2820	R.P.M.	
START METHOD	DIRECT					
INSULATION CLASS	B					
REMARK	For reference only					



**HCP PUMP MANUFACTURER CO.,LTD.**

MODEL: 50AFU21.5(For reference only)

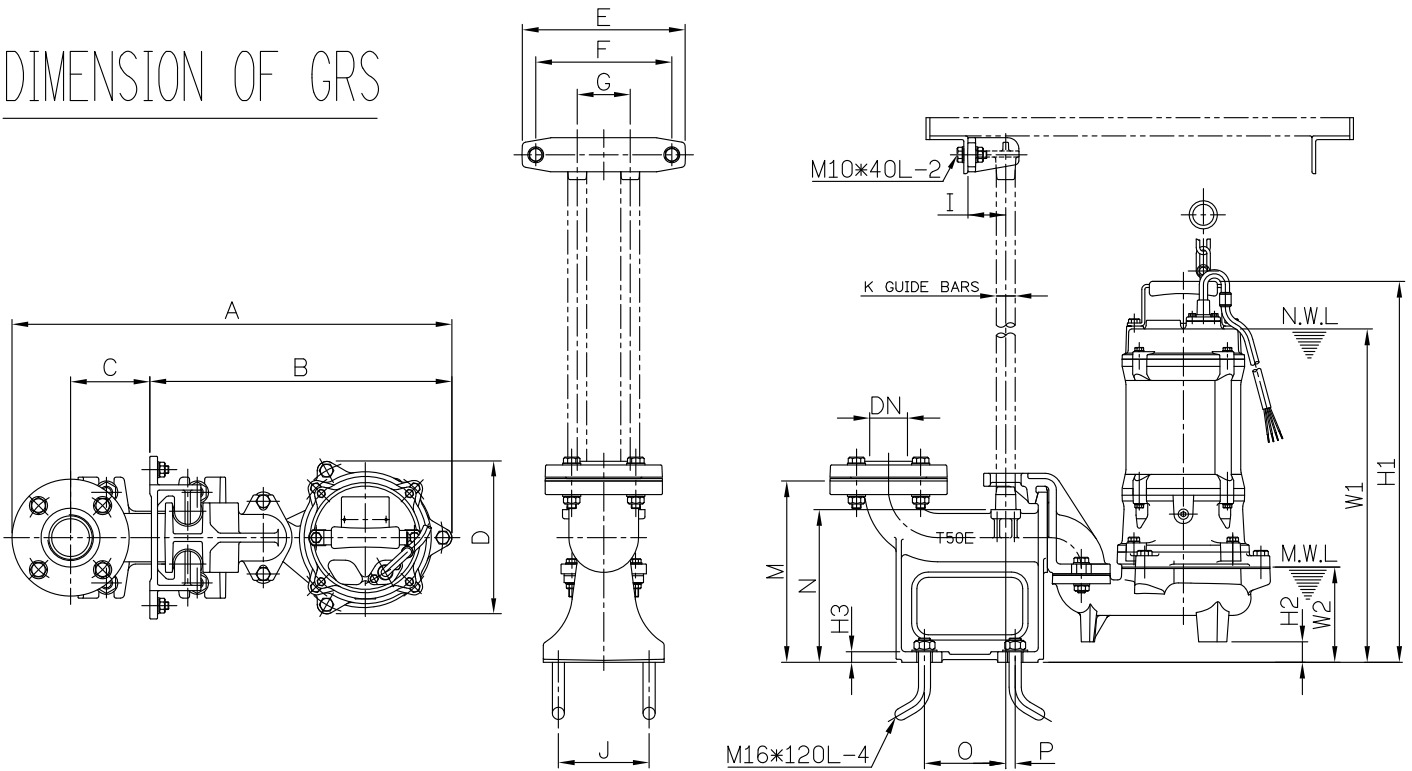
DIMENSION OF PUMP



Model	DN	DA	A	B	C	D	E	F	G
50AFU21.5	50	96	288	250	202	88	100	415(470)	477(532)

N.W.L.: Normal water level  
 M.W.L.: Minimum water level  
 Remark: ( )Dimensions in 1Ø

DIMENSION OF GRS



Model	DN	A	B	C	D	E	F	G	I	J	K	M	N	O	P	W1	W2	H1	H2	H3
50AFU21.5	50	583	400	105	202	215	180	70	50	120	1"	240	202	107.5	12.5	441(496)	126	504(559)	27	14



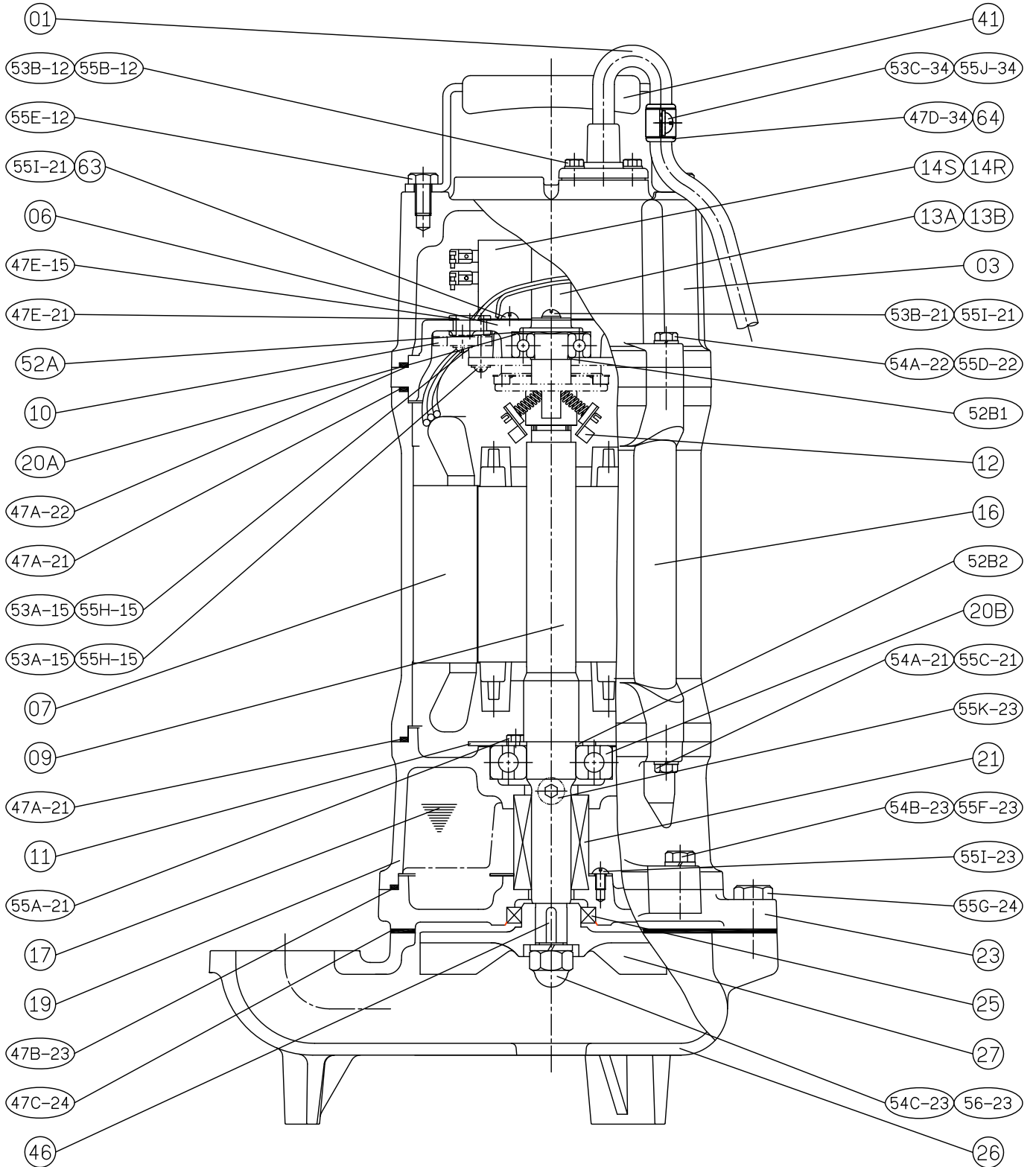
PUMP

SECTIONAL DRAWING

A2AFU215010-00

DATE:2012-12

MODEL: 50AFU21.5 1Ø





PUMP

SECTIONAL DRAWING

A2AFU215030-00

DATE:2012-12

MODEL: 50AFU21.5 3Ø

