

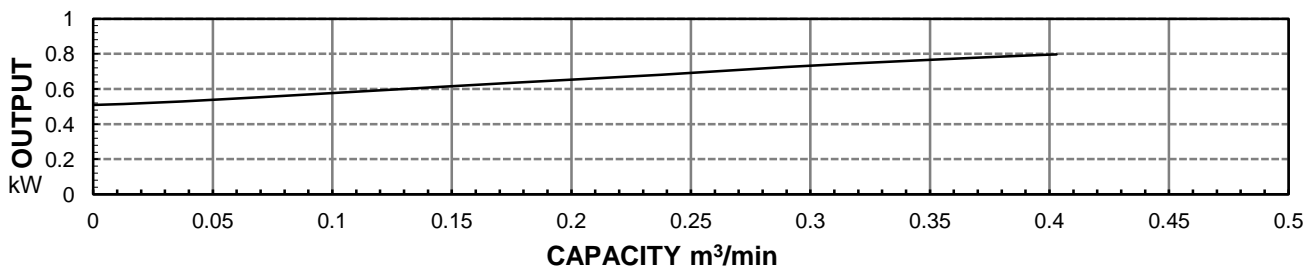
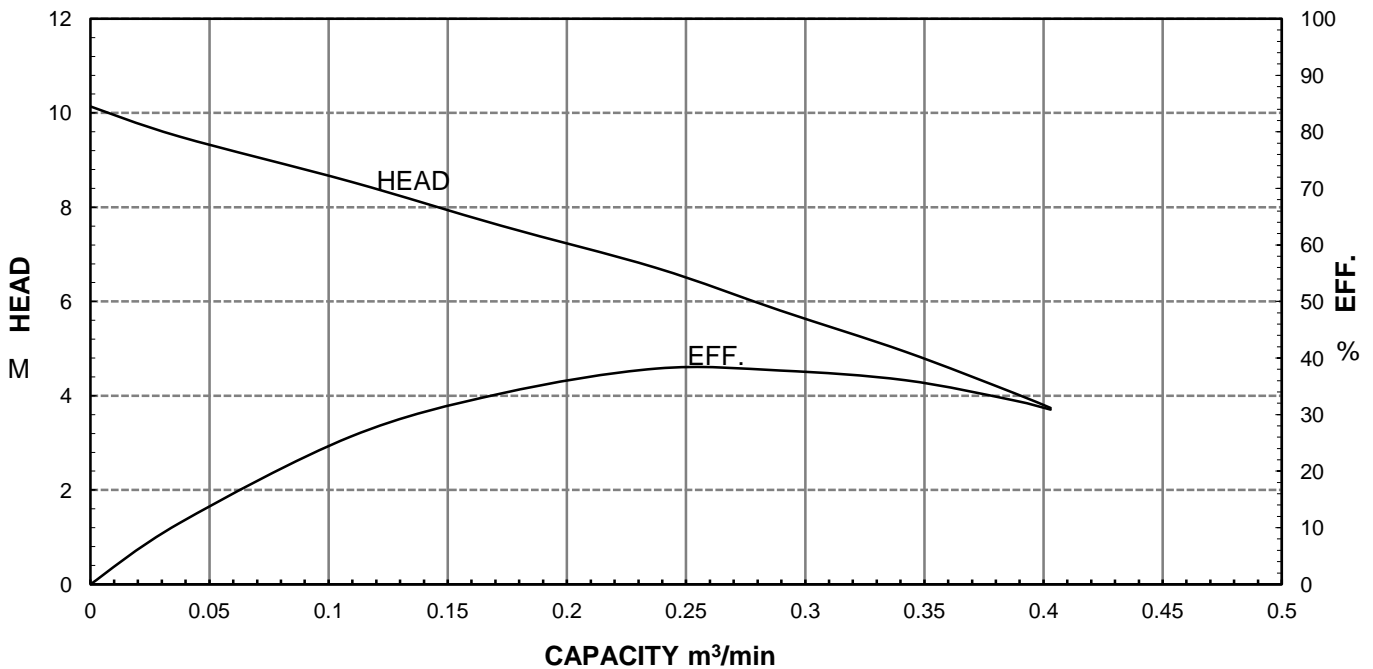


# HCP PUMP

FILE NO PC-M-E5-50AFU2.8L1

## PUMP PERFORMANCE CURVES

MODEL	50AFU2.8L					DATE:	2011.03	
	STANDARD SPECIFICATION					REFERENCE SPECIFICATION		
FREQUENCY	50				Hz			
DISCHARGE	2	inch	/	50	mm			
OUTPUT	1	HP	/	0.75	kW	HP	kW	
HEAD	6.5				M			
CAPACITY	0.25				m <sup>3</sup> /min			
PHASE/VOLTAGE	1	φ	220 V	230 V	240 V		φ	V
RATED CURRENT		5.4 A	5.2 A	5.0 A				A
POLE / R.P.M.	2	P	/	3000	R.P.M.			
START METHOD	DIRECT							
INSULATION CLASS	B							
REMARK								



HCP PUMP MANUFACTURER CO.,LTD.

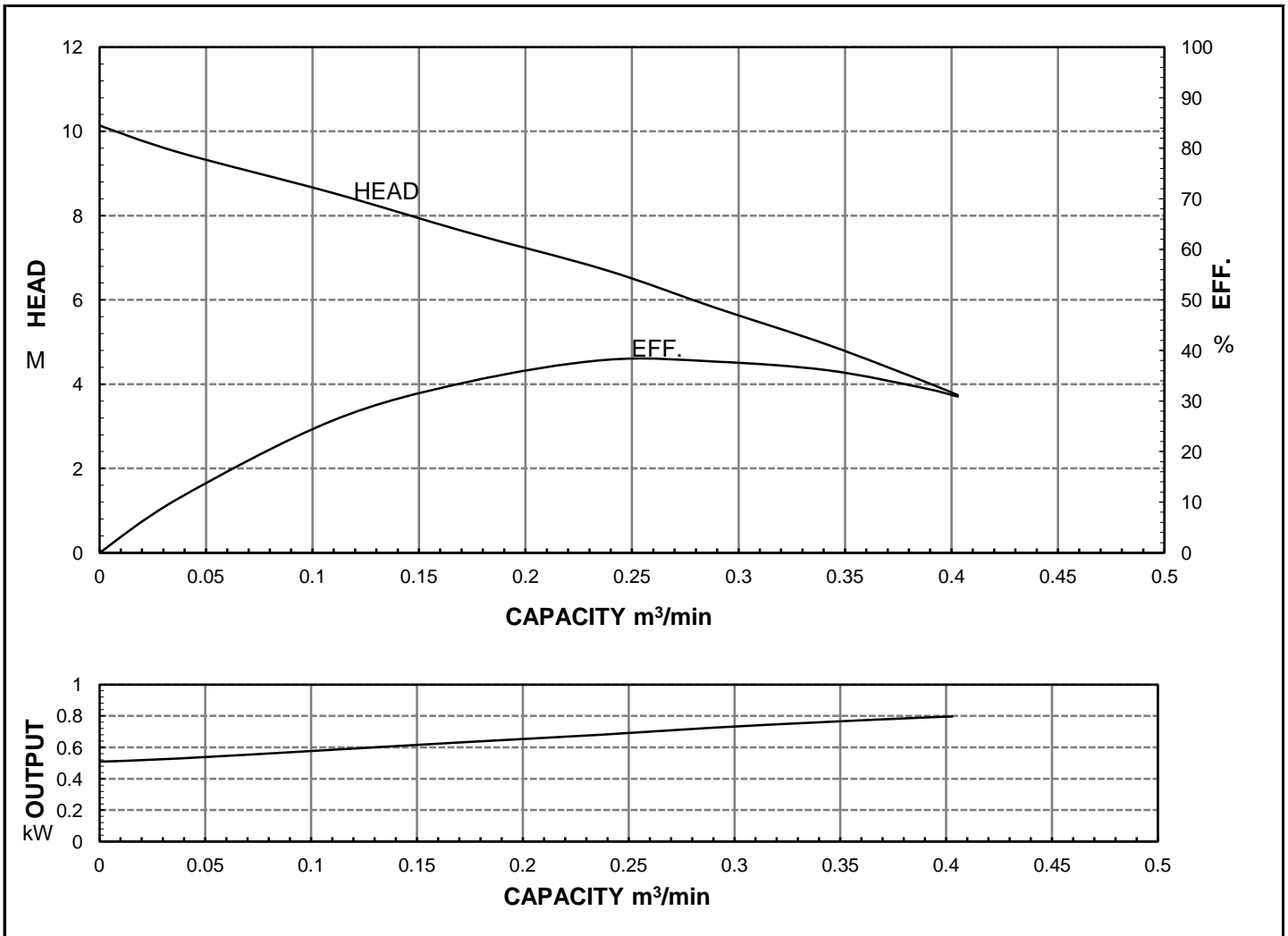


# HCP PUMP

FILE NO PC-M-E5-50AFU2.8L3

## PUMP PERFORMANCE CURVES

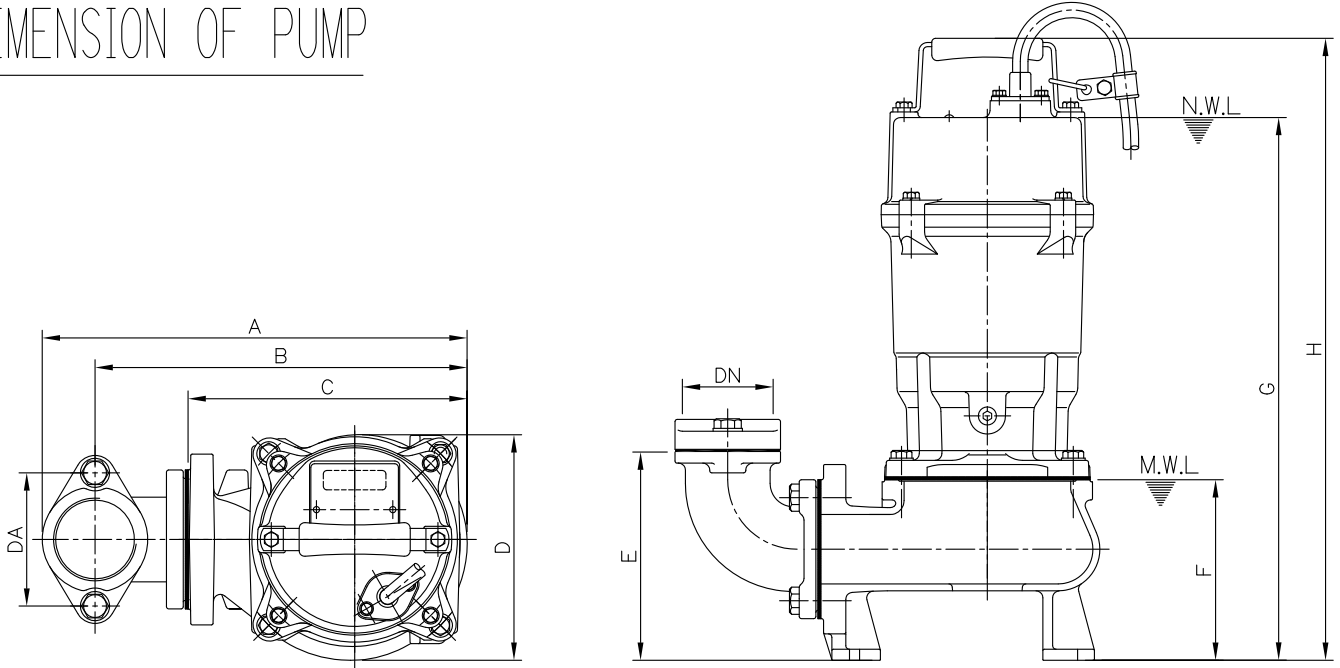
MODEL	50AFU2.8L				DATE:	2011.03
	STANDARD SPECIFICATION				REFERENCE SPECIFICATION	
FREQUENCY	50			Hz		
DISCHARGE	2	inch	/	50	mm	
OUTPUT	1	HP	/	0.75	kW	HP      kW
HEAD	6.5			M		
CAPACITY	0.25			m <sup>3</sup> /min		
PHASE/VOLTAGE	3 φ	230 V	380 V	400 V	415 V	φ      V
RATED CURRENT		3.3 A	2.0 A	1.9 A	1.8 A	A
POLE / R.P.M.	2	P	/	3000	R.P.M.	
START METHOD	DIRECT					
INSULATION CLASS	B					
REMARK						



HCP PUMP MANUFACTURER CO.,LTD.

MODEL: 50AFU2.4L;50AFU2.8L

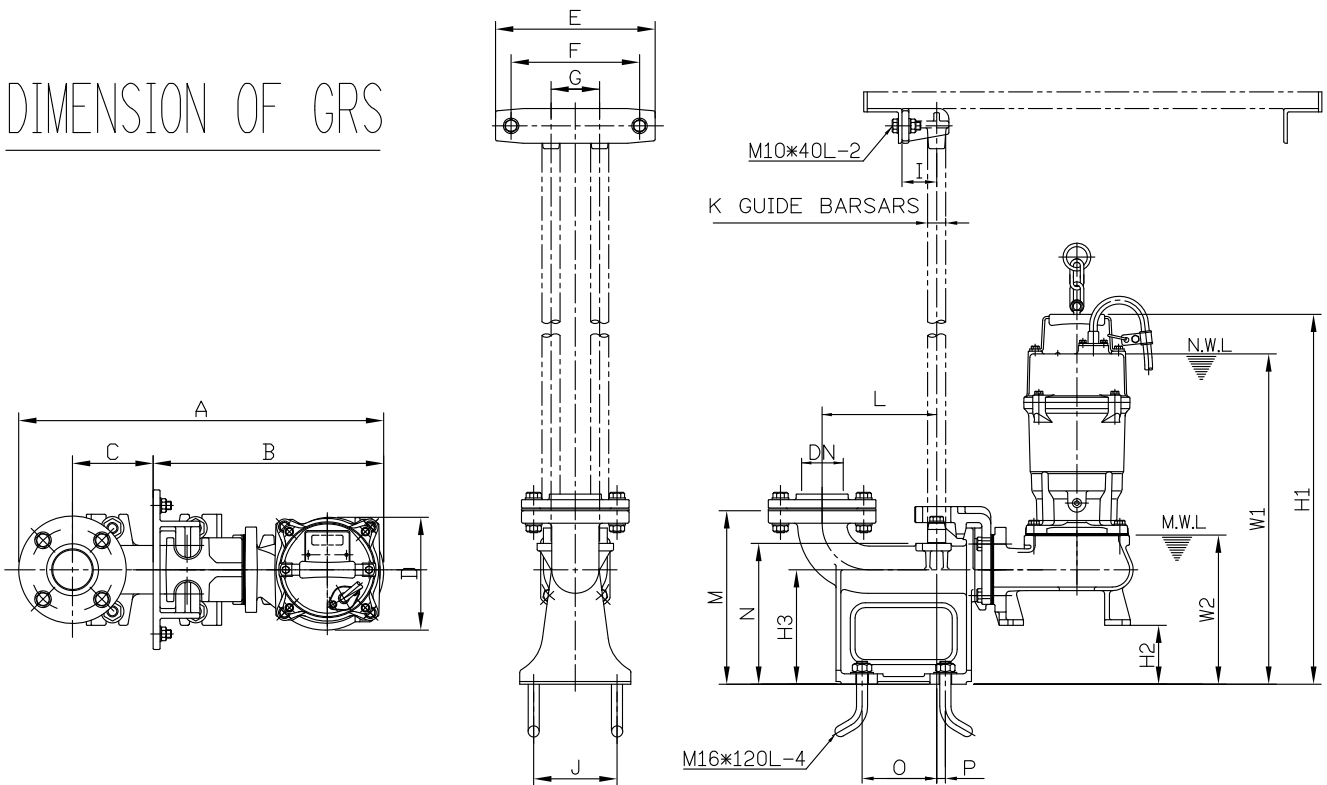
DIMENSION OF PUMP



Model	DN	DA	A	B	C	D	E	F	G	H
50AFU2.4L	50	96	306	268	201	163	150	130	391	448
50AFU2.8L	50	96	306	268	201	163	150	130	391	448

N.W.L: Normal water level  
M.W.L: Minimum water level

DIMENSION OF GRS



Model	DN	A	B	C	D	E	F	G	I	J	K	L	M	N	O	P	W1	W2	H1	H2	H3
50AFU2.4L	50	527	333	116	163	230	185	70	50	120	1"	165	250	203	108	13	476	215	533	85	165
50AFU2.8L	50	527	333	116	163	230	185	70	50	120	1"	165	250	203	108	13	476	215	533	85	165



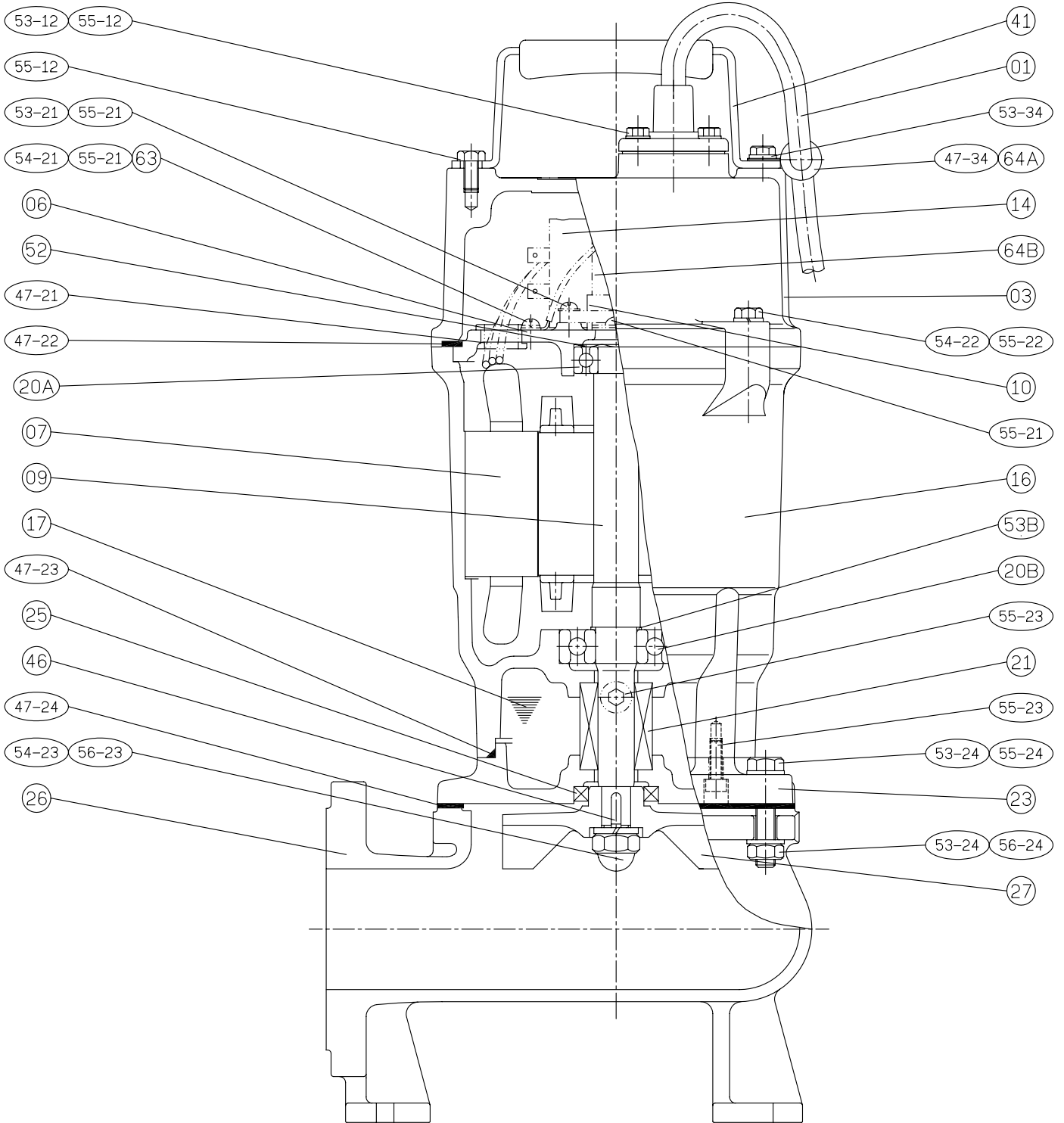
PUMP

SECTIONAL DRAWING

A2AFU204L10-00

DATE:2011-10

MODEL:50AFU2.4L,50AFU2.8L 1Ø





PUMP

SECTIONAL DRAWING

A2AFU204L30-00

DATE:2011-10

MODEL:50AFU2.4L,50AFU2.8L 3Ø

