

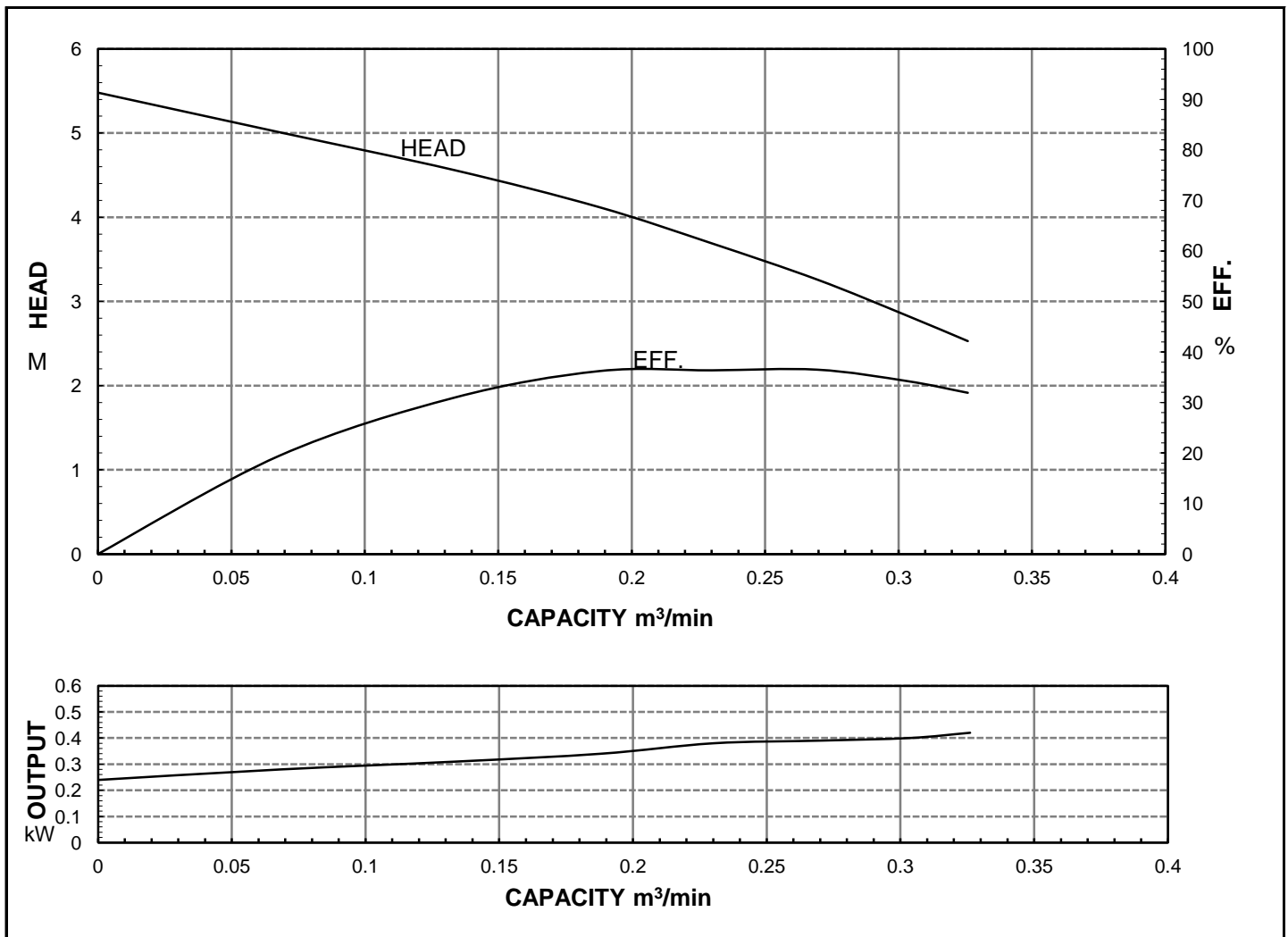


HCP PUMP

FILE NO PC-M-E5-50AFU4.41

PUMP PERFORMANCE CURVES

MODEL	50AFU4.4					DATE:	2011.1	
	STANDARD SPECIFICATION					REFERENCE SPECIFICATION		
FREQUENCY	50					Hz		
DISCHARGE	2	inch	/	50	mm			
OUTPUT	0.5	HP	/	0.4	kW	HP	kW	
HEAD	3.5					M		
CAPACITY	0.25					m ³ /min		
PHASE/VOLTAGE	1	φ	220 V	230 V	240 V		φ	V
RATED CURRENT		3.2 A	3.1 A	3.0 A				A
POLE / R.P.M.	4	P	/	1380	R.P.M.			
START METHOD	DIRECT							
INSULATION CLASS	B							
REMARK								



HCP PUMP MANUFACTURER CO.,LTD.

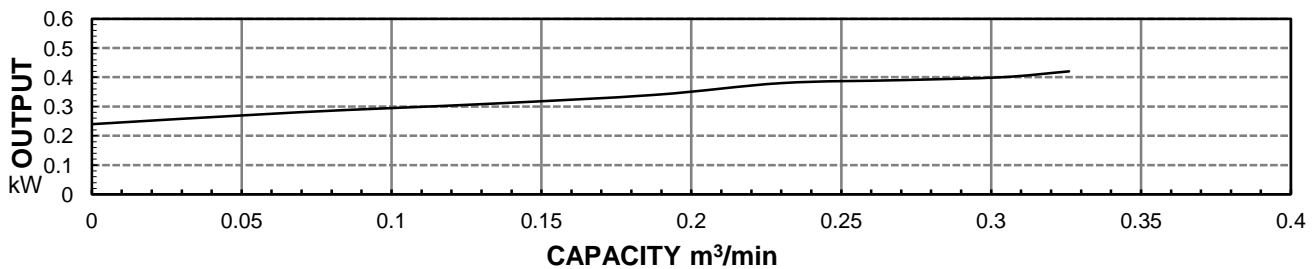
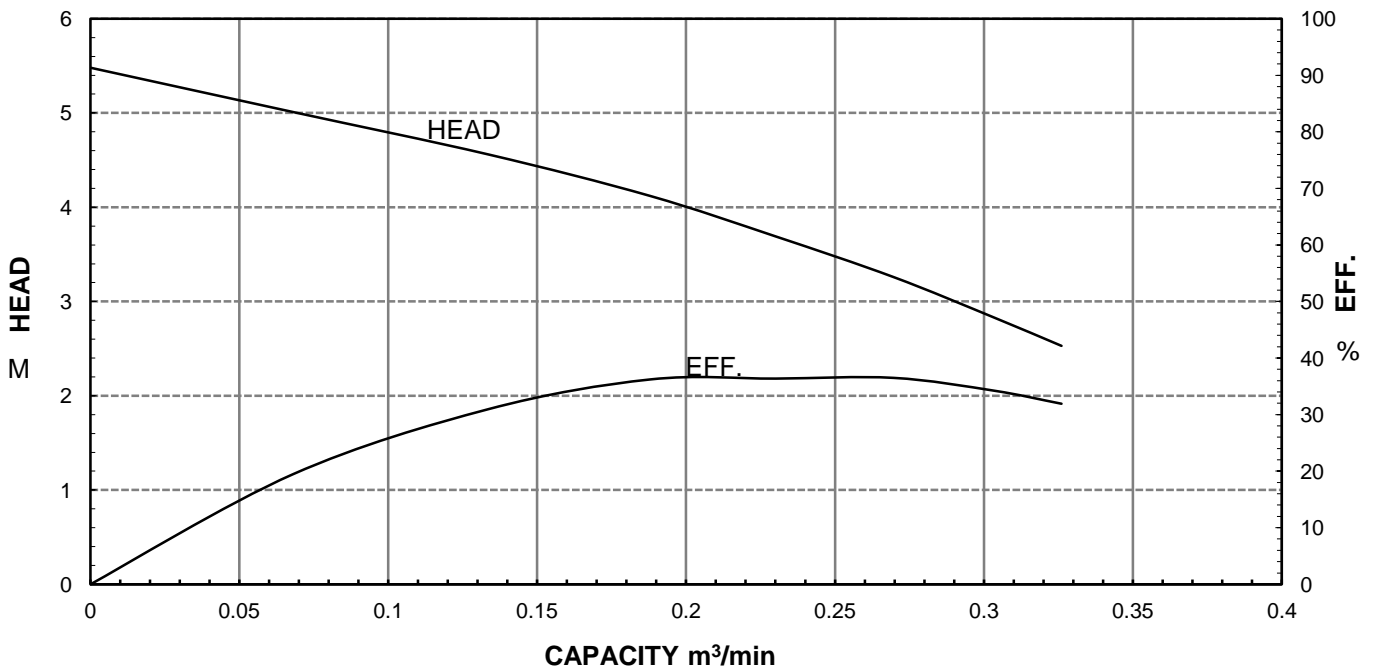


HCP PUMP

FILE NO PC-M-E5-50AFU4.43

PUMP PERFORMANCE CURVES

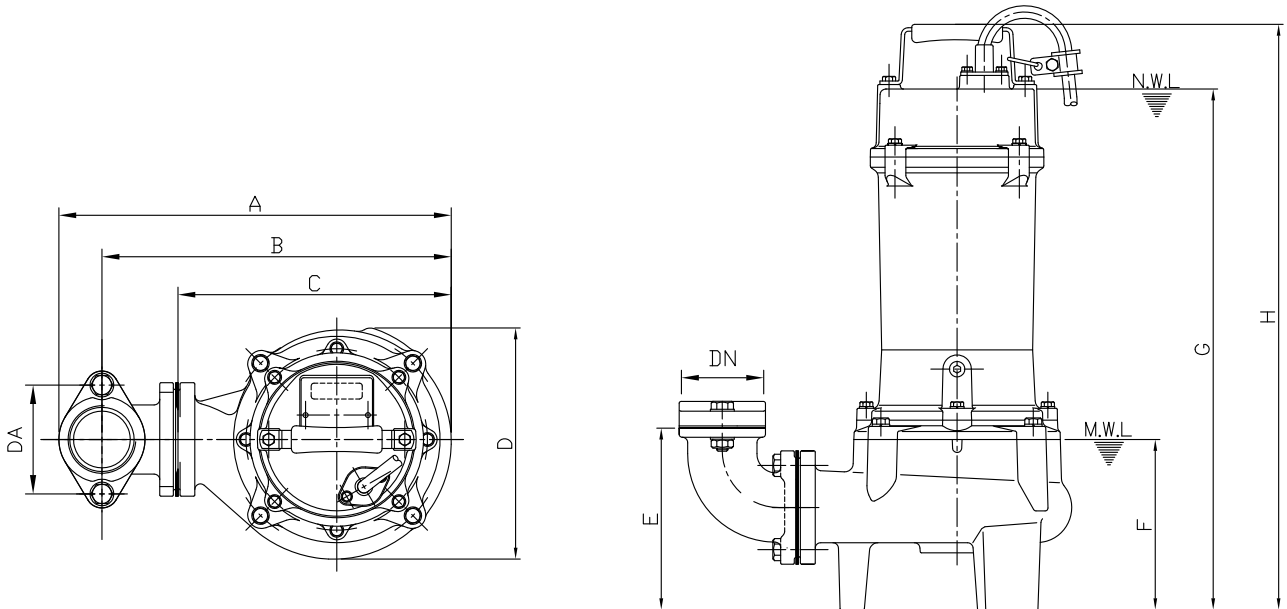
MODEL	50AFU4.4					DATE:	2011.1
	STANDARD SPECIFICATION					REFERENCE SPECIFICATION	
FREQUENCY	50				Hz		
DISCHARGE	2	inch	/	50	mm		
OUTPUT	0.5	HP	/	0.4	kW	HP	kW
HEAD	3.5				M		
CAPACITY	0.25				m ³ /min		
PHASE/VOLTAGE	3 ϕ	230 V	380 V	400 V	415 V	ϕ	V
RATED CURRENT		2.2 A	1.3 A	1.3 A	1.2 A		A
POLE / R.P.M.	4	P	/	1380	R.P.M.		
START METHOD	DIRECT						
INSULATION CLASS	B						
REMARK							



HCP PUMP MANUFACTURER CO.,LTD.

MODEL: 50AFU4.4;50AFU4.8

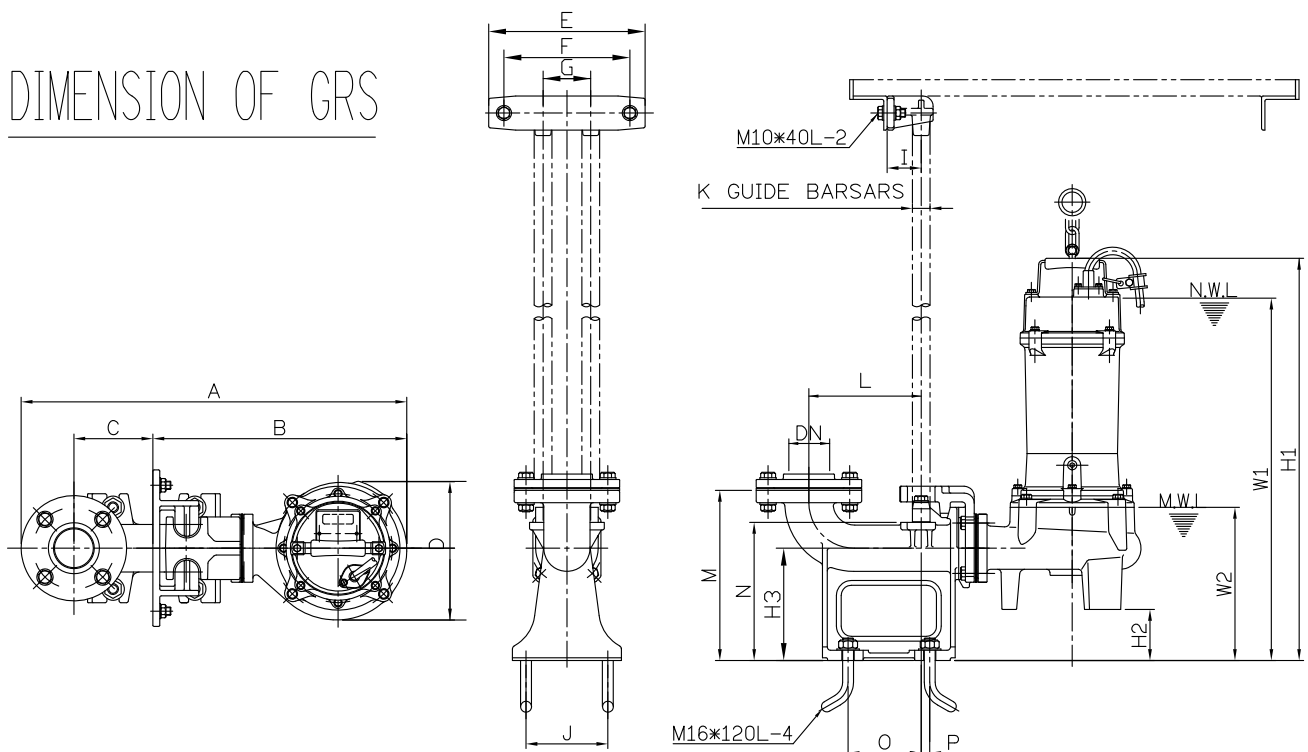
DIMENSION OF PUMP



Model	DN	DA	A	B	C	D	E	F	G	H
50AFU4.4	50	96	346	308	241	204	160	150	459	516
50AFU4.8	50	96	346	308	241	204	160	150	459	516

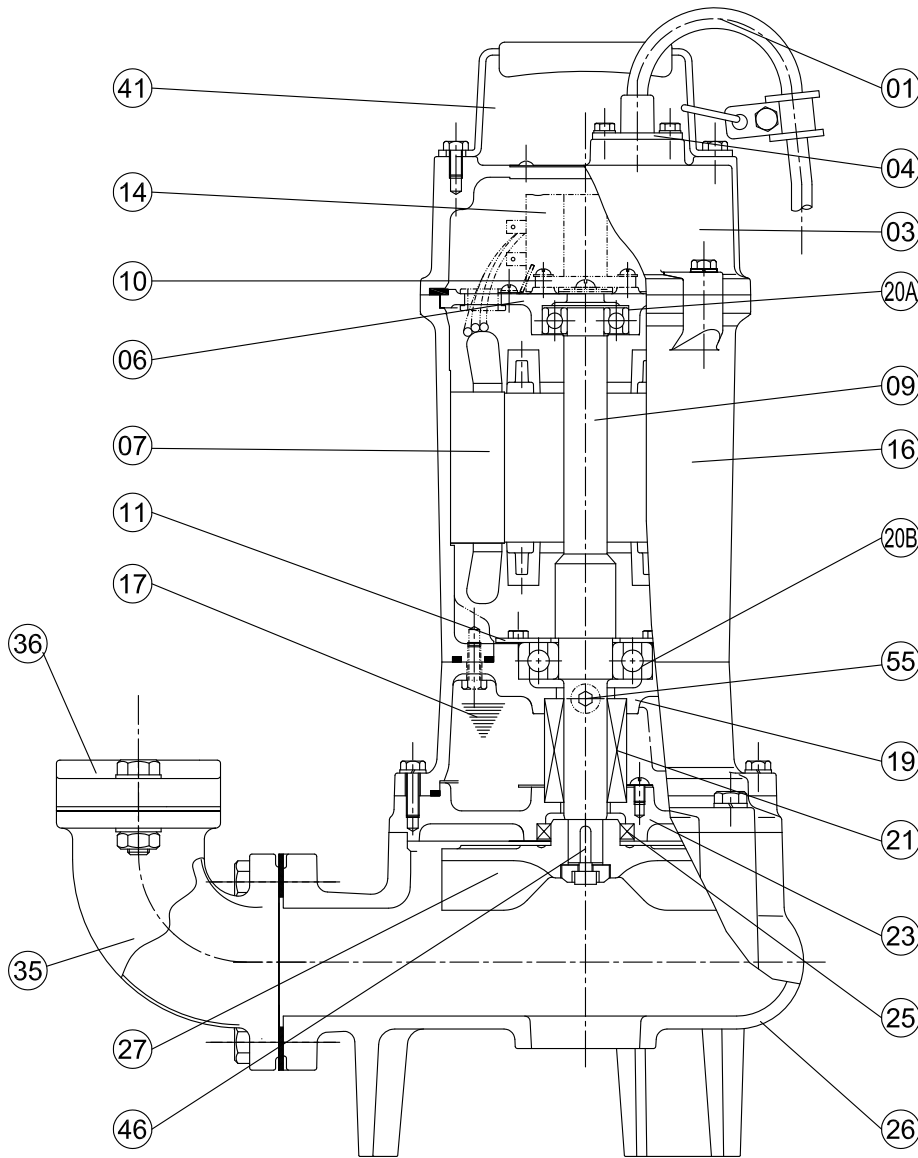
N.W.L: Normal water level
M.W.L: Minimum water level

DIMENSION OF GRS



Model	DN	A	B	C	D	E	F	G	I	J	K	L	M	N	O	P	W1	W2	H1	H2	H3
50AFU4.4	50	567	373	116	204	230	185	70	50	120	1"	165	250	203	108	13	533	225	591	75	165
50AFU4.8	50	567	373	116	204	230	185	70	50	120	1"	165	250	203	108	13	533	225	591	75	165

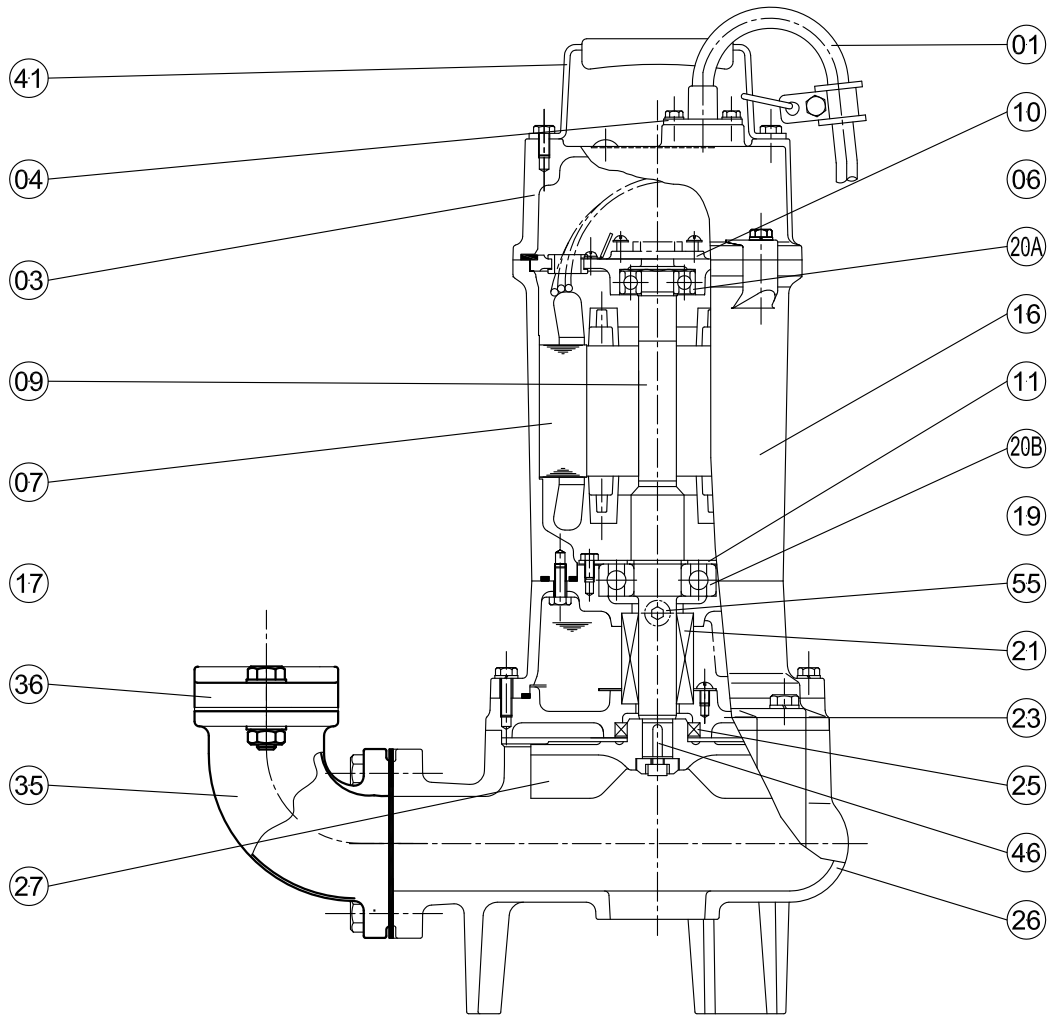
MODEL: 50AFU4.4;50AFU4.8 1 Ø



No.	Part name	Material	QTY	Remark
01	Cable		1	VCT/H07RN-F UL/CSA
03	Upper cover	FC-200	1	
04	Cable base cover	SUS304	1	
06	Bracket	FC-200	1	
07	Stator		1	
09	Shaft(with Rotor)	SUS403	1	
10	Auto-cut		1	
11	Bearing fixer	SS41	1	
14	Capacitor		1	
16	Motor frame	FC-200	1	
17	Lubricant	Turbine oil #32	1	
19	Bearing bracket	FC-200	1	
20A	Upper bearing		1	

No.	Part name	Material	QTY	Remark
20B	Lower bearing		1	
21	M. seal	CA VS CE SIC VS SIC	1	
23	M. seal bracket	FC-200	1	
25	Oil seal	NBR	1	
26	Casing	FC-200	1	
27	Impeller	FC-200	1	
35	Coupling	FC-200	1	
36	Flange	FC-200	1	
41	Handle	SUS304	1	
46	Impeller key	SUS304	1	
47	Packing (1 set)		1	
55	Oil plug	SUS304	1	

MODEL:50AFU4.4; 50AFU4.8 3Ø



No.	Part name	Material	QTY	Remark
01	Cable		1	VCT/H07RN-F UL / CSA
03	Upper cover	FC-200	1	
04	Cable base cover	SUS304	1	
06	Bracket	FC-200	1	
07	Stator		1	
09	Shaft(with Rotor)	SUS403	1	
10	Auto-cut		1	
11	Bearing fixer	SS41	1	
16	Motor frame	FC-200	1	
17	Lubricant	Turbine oil #32	1	
19	Bearing bracket	FC-200	1	
20A	Upper bearing		1	
20B	Lower bearing		1	

No.	Part name	Material	QTY	Remark
21	M. seal	CA VS CE SIC VS SIC	1	
23	M. seal bracket	FC-200	1	
25	Oil seal	NBR	1	
26	Casing	FC-200	1	
27	Impeller	FC-200	1	
35	Coupling	FC-200	1	
36	Flange	FC-200	1	
41	Handle	SUS304	1	
46	Impeller key	SUS304	1	
47	Packing (1 set)		1	
55	Oil plug	SUS304	1	