

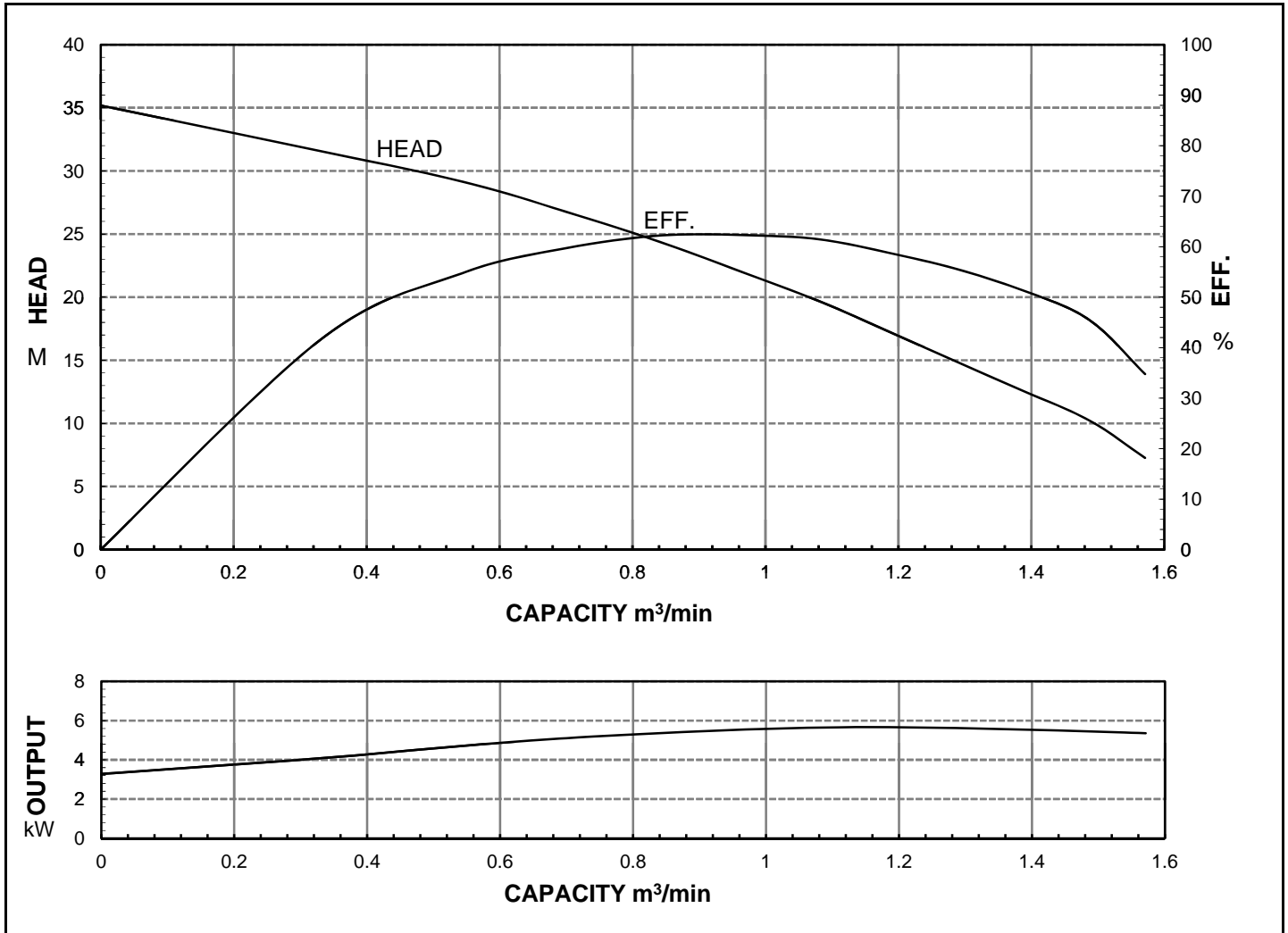


HCP PUMP

FILE NO. PC-M-E5-80(100)AFP25.53

PUMP PERFORMANCE CURVES

MODEL	80(100)AFP25.5				DATE:	2014.05
	STANDARD SPECIFICATION				REFERENCE SPECIFICATION	
FREQUENCY	50			Hz		
DISCHARGE	3	inch	/	80	mm	
OUTPUT	7.5	HP	/	5.5	kW	HP kW
HEAD	28			M		
CAPACITY	0.6			m ³ /min		
PHASE/VOLTAGE	3 φ	230 V	380 V	400 V	415 V	φ V
RATED CURRENT		20.2 A	11.7 A	11.3 A	11.2 A	A
POLE / R.P.M.	2	P	/	2890	R.P.M.	
START METHOD	DIRECT					
INSULATION CLASS	F					
REMARK						



HCP PUMP MANUFACTURER CO.,LTD.

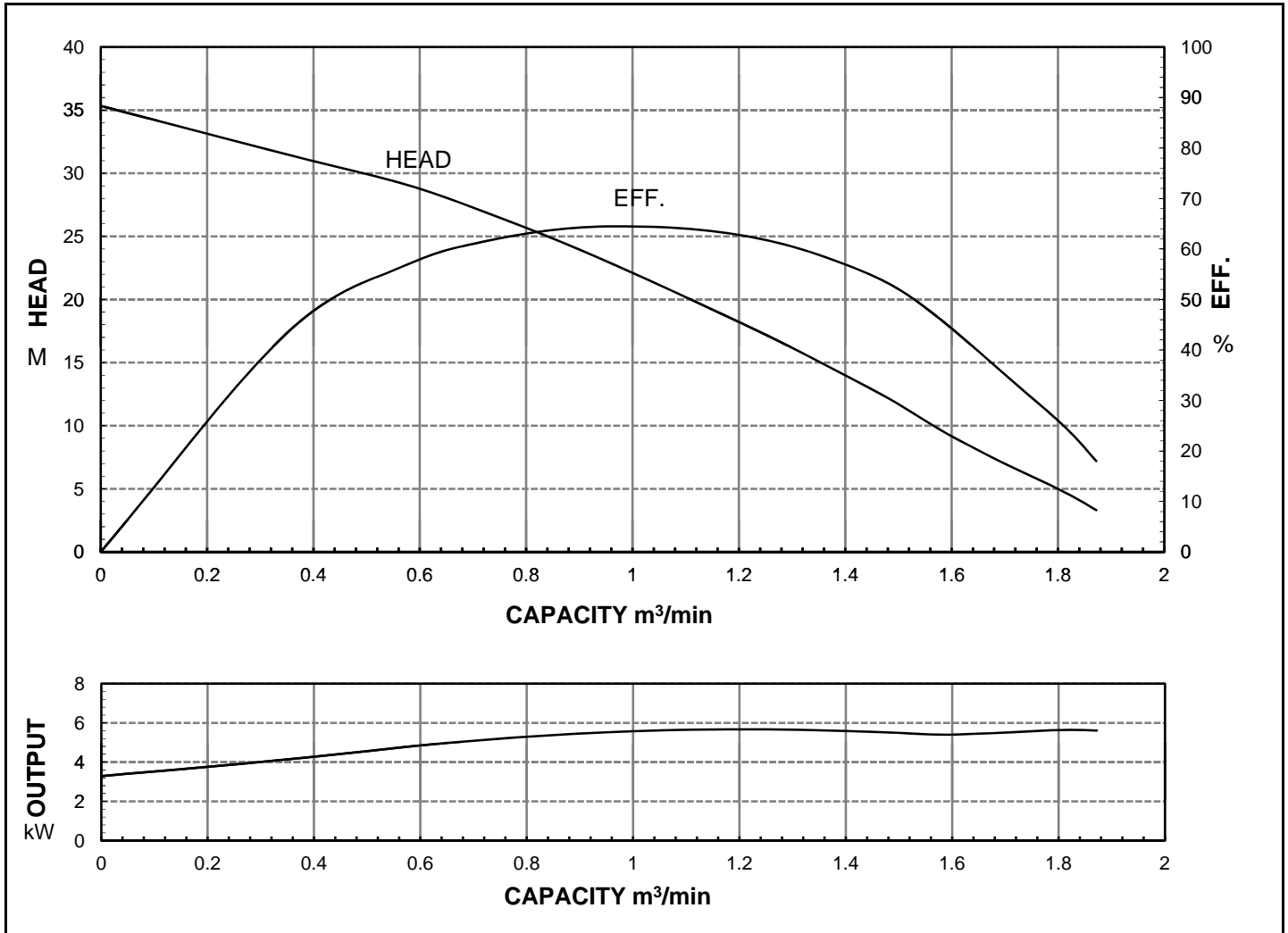


HCP PUMP

FILE NO. PC-M-E5-80(100)AFP25.53

PUMP PERFORMANCE CURVES

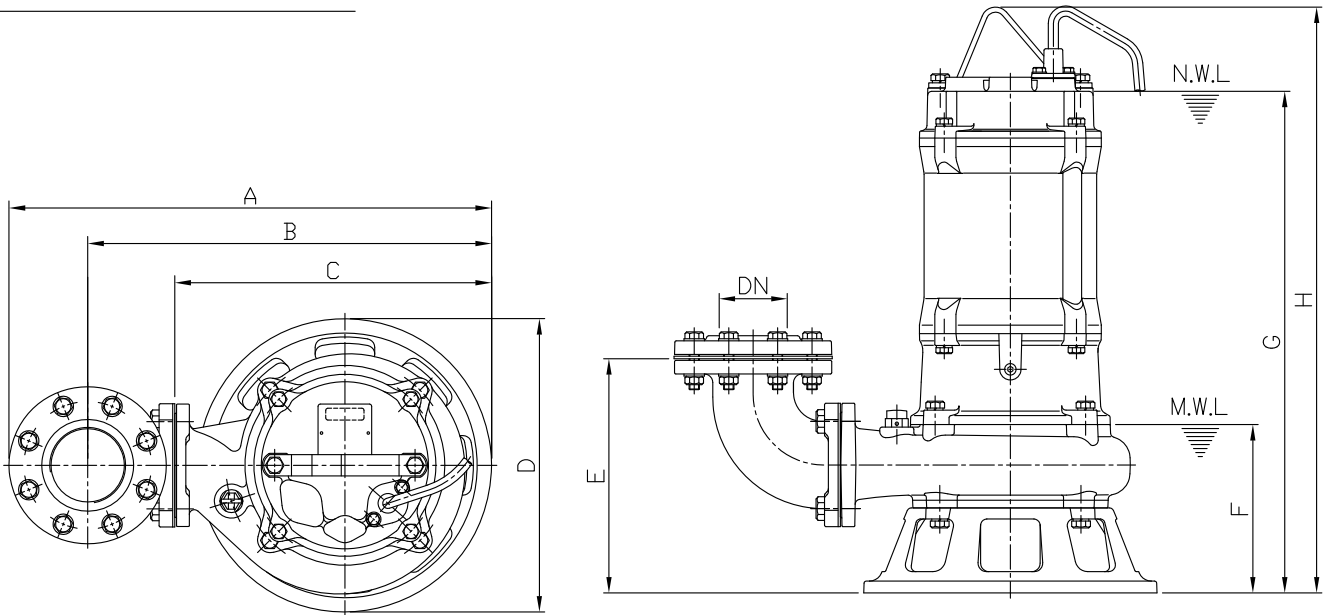
MODEL	80(100)AFP25.5				DATE:	2014.05
	STANDARD SPECIFICATION				REFERENCE SPECIFICATION	
FREQUENCY	50			Hz		
DISCHARGE	4	inch	/	100	mm	
OUTPUT	7.5	HP	/	5.5	kW	HP kW
HEAD	21.5			M		
CAPACITY	1			m ³ /min		
PHASE/VOLTAGE	3 φ	230 V	380 V	400 V	415 V	φ V
RATED CURRENT		20.2 A	11.7 A	11.3 A	11.2 A	A
POLE / R.P.M.	2	P	/	2890	R.P.M.	
START METHOD	DIRECT					
INSULATION CLASS	F					
REMARK						



HCP PUMP MANUFACTURER CO.,LTD.

MODEL: 80(100)AFP25.5;80(100)AFP27.5 3Ø

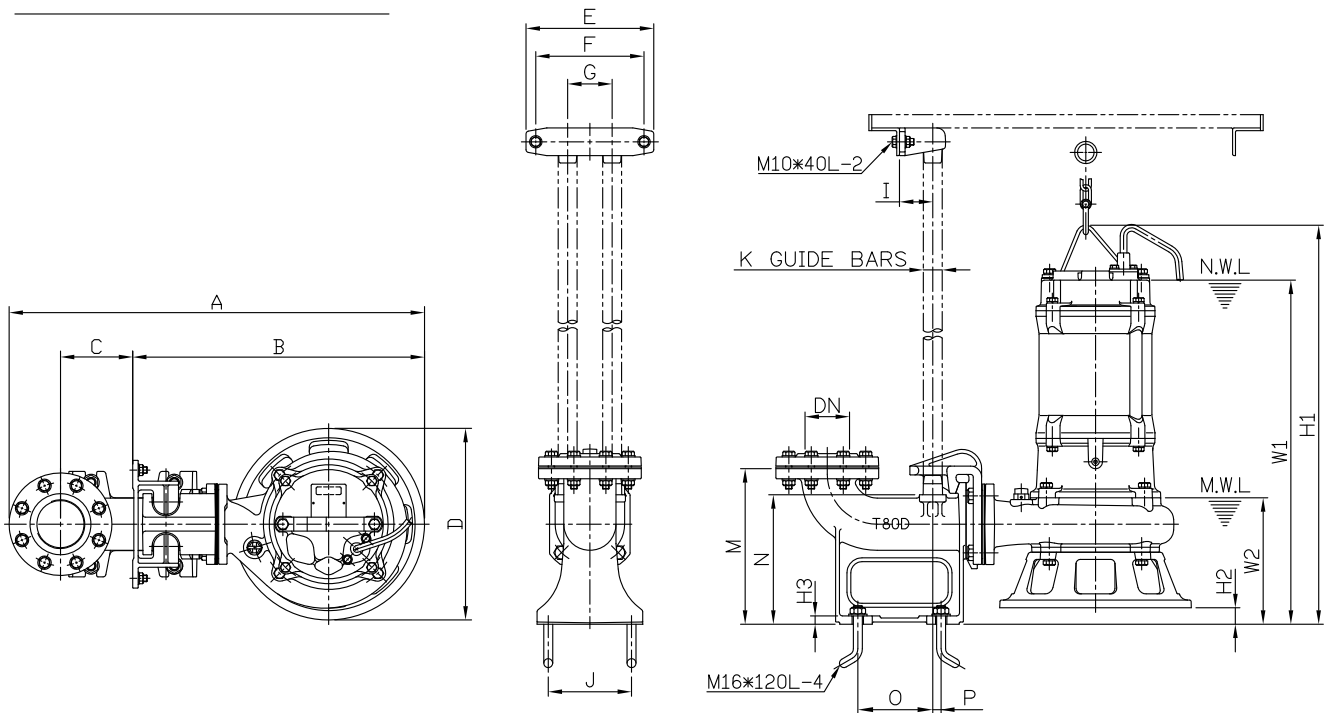
DIMENSION OF PUMP



Model	DN	A	B	C	D	E	F	G	H
80(100)AFP25.5	80	568	476	373	345	276	198	590	689
80(100)AFP27.5	80	568	476	373	345	276	198	590	689

N.W.L.: Normal water level
M.W.L.: Minimum water level

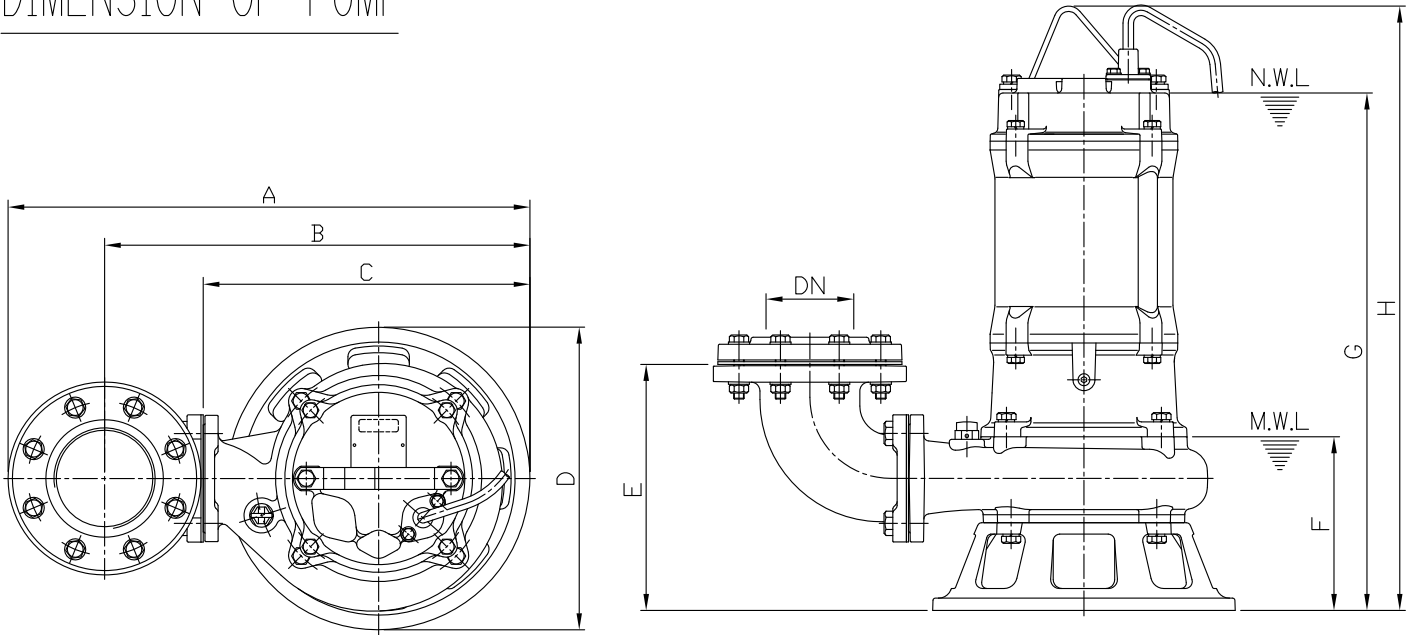
DIMENSION OF GRS



Model	DN	A	B	C	D	E	F	G	I	J	K	M	N	O	P	W1	W2	H1	H2	H3
80(100)SFP25.5	80	749	526	130	345	230	195	80	60	150	1 1/4"	280	233	135	15	620	228	719	30	15
80(100)SFP27.5	80	749	526	130	345	230	195	80	60	150	1 1/4"	280	233	135	15	620	228	719	30	15

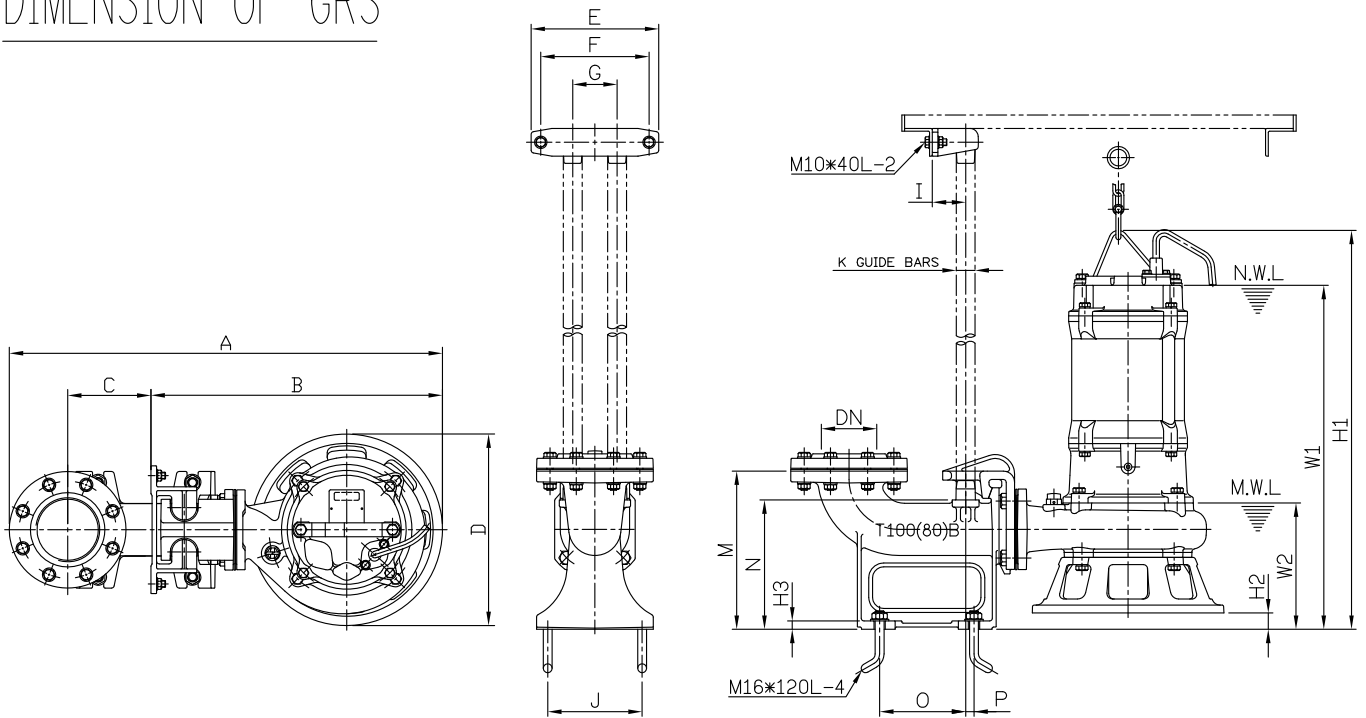
MODEL: 80(100)AFP25.5;80(100)AFP27.5 3Ø

DIMENSION OF PUMP



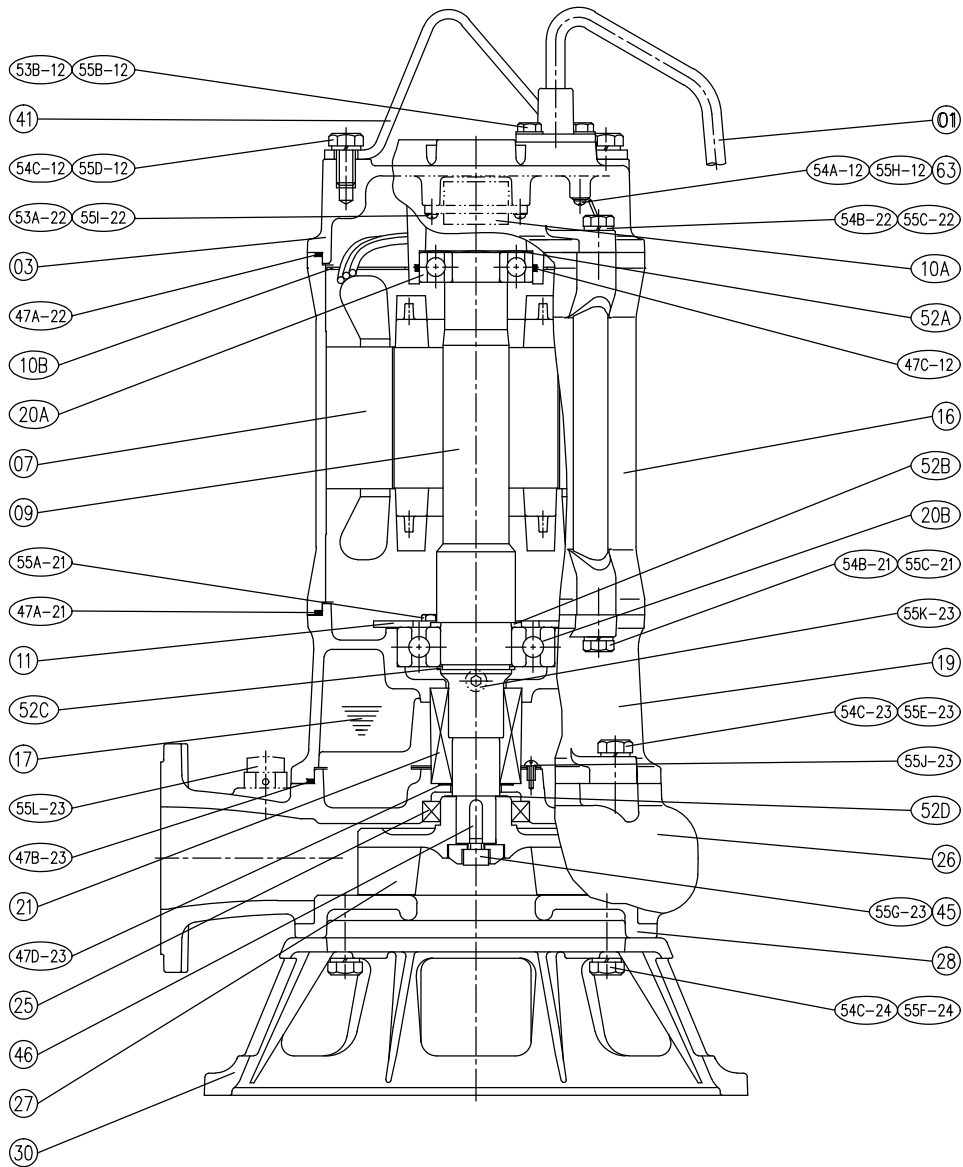
Model	DN	A	B	C	D	E	F	G	H
80(100)AFP25.5	100	596	486	373	345	282	198	590	689
80(100)AFP27.5	100	596	486	373	345	282	198	590	689

DIMENSION OF GRS



Model	DN	A	B	C	D	E	F	G	I	J	K	M	N	O	P	W1	W2	H1	H2	H3
80(100)AFP25.5	100	781	526	150	345	230	195	80	60	170	1 1/4"	285	233	155	15	620	228	719	30	15
80(100)AFP27.5	100	781	526	150	345	230	195	80	60	170	1 1/4"	285	233	155	15	620	228	719	30	15

N.W.L: Normal water level
M.W.L: Minimum water level



No.	Part name	Material	QTY	Remark
01	Cable		1	
03	Upper cover	FC200	1	
07	Stator		1	
09	Shaft(with Rotor)	SUS403	1	
10A	Auto-cut		1	
10B	Auto-cut plate		1	
11	Bearing fixer	SS400	1	
16	Motor frame	FC200	1	
17	Lubricant			
19	Bearing bracket	FC200	1	
20A	Upper bearing		1	
20B	Lower bearing		1	
21	M.seal	CA VS CE SIC VS SIC	1	

No.	Part name	Material	QTY	Remark
25	Oil seal	NBR	1	
26	Casing	FC200	1	
27	Impeller	FC200	1	
28	Casing cover	FC200	1	
30	Footing	FC200	1	
41	Handle	SUS304	1	
46	Impeller key	SUS304	1	
47	Packing			