

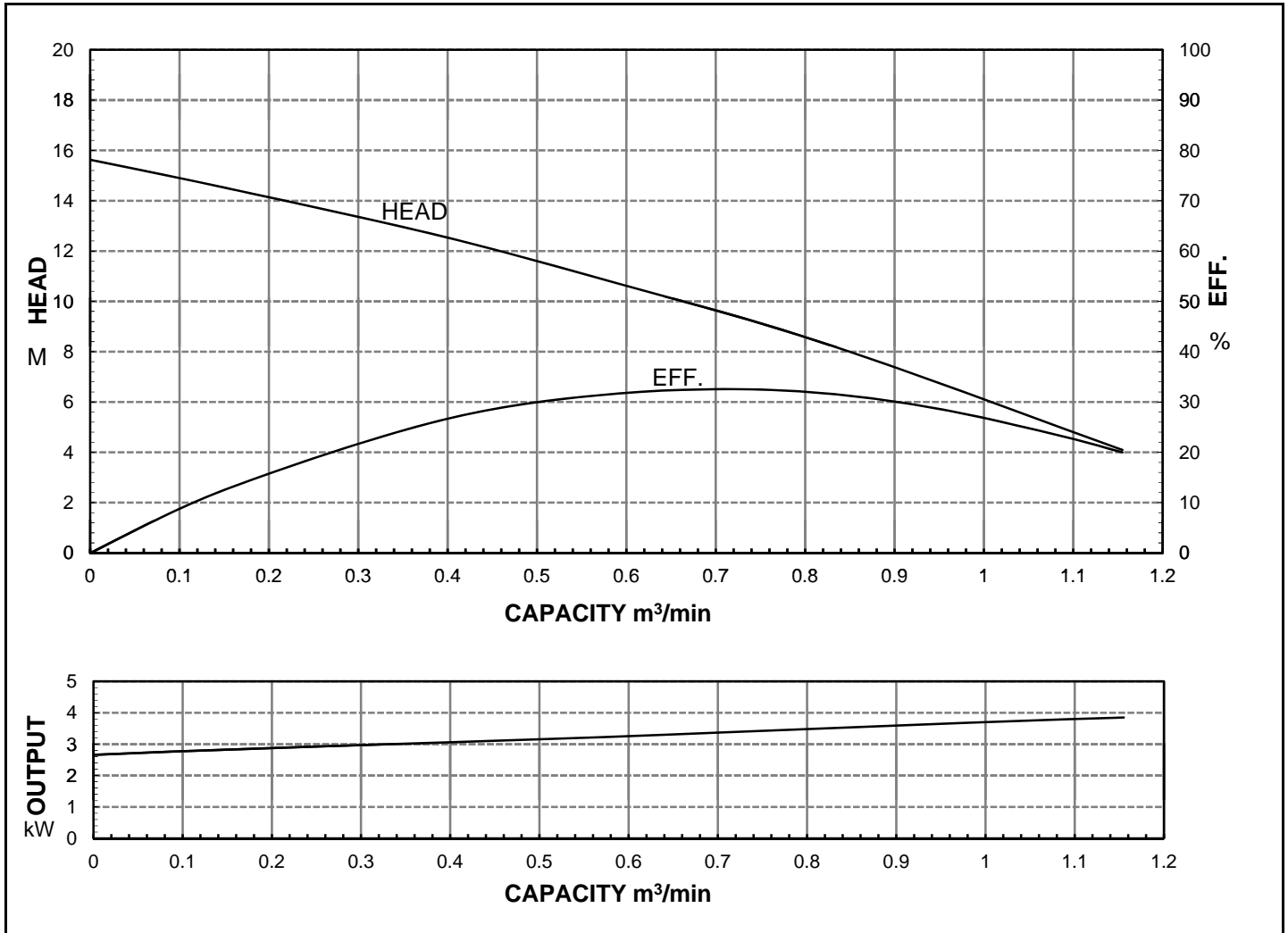


# HCP PUMP

FILE NOPC-M-E5-80AFU23.7LA3

## PUMP PERFORMANCE CURVES

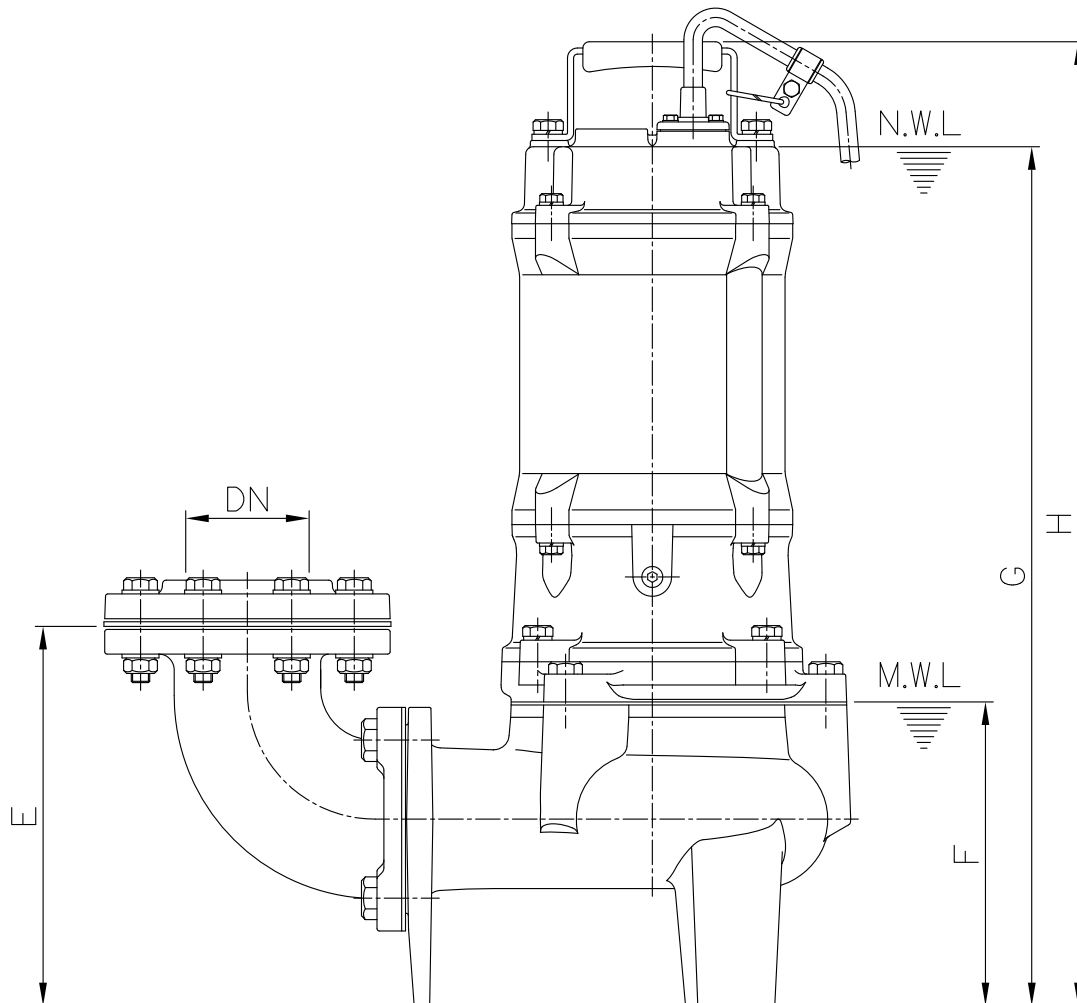
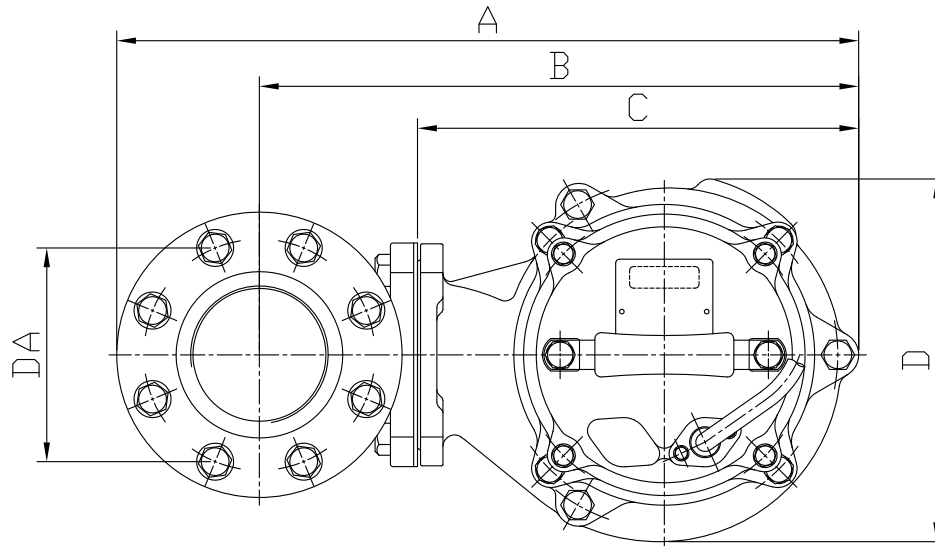
MODEL	80AFU23.7LA				DATE:	2013.05
	STANDARD SPECIFICATION				REFERENCE SPECIFICATION	
FREQUENCY	50			Hz		
DISCHARGE	3	inch	/	80	mm	
OUTPUT	5	HP	/	3.7	kW	HP      kW
HEAD	10.5			M		
CAPACITY	0.6			m <sup>3</sup> /min		
PHASE/VOLTAGE	3 φ	230 V	380 V	400 V	415 V	φ      V
RATED CURRENT		14.0 A	8.4 A	8.2 A	7.7 A	A
POLE / R.P.M.	2	P	/	2850	R.P.M.	
START METHOD	DIRECT					
INSULATION CLASS	F					
REMARK						



**HCP PUMP MANUFACTURER CO.,LTD.**

MODEL:80AFU23.7LA 3Ø

DIMENSION OF PUMP



Model	DN	DA	A	B	C	D	E	F	G	H
80AFU23.7LA	80	130	481	389	286	235	246	197	557	625

N.W.L: Normal water level  
M.W.L: Minimum water level



PUMP

SECTIONAL DRAWING

03AFU237M30-00

DATE:2012-12

MODEL: 80AFU23.7LA 3 $\square$ Ø

