

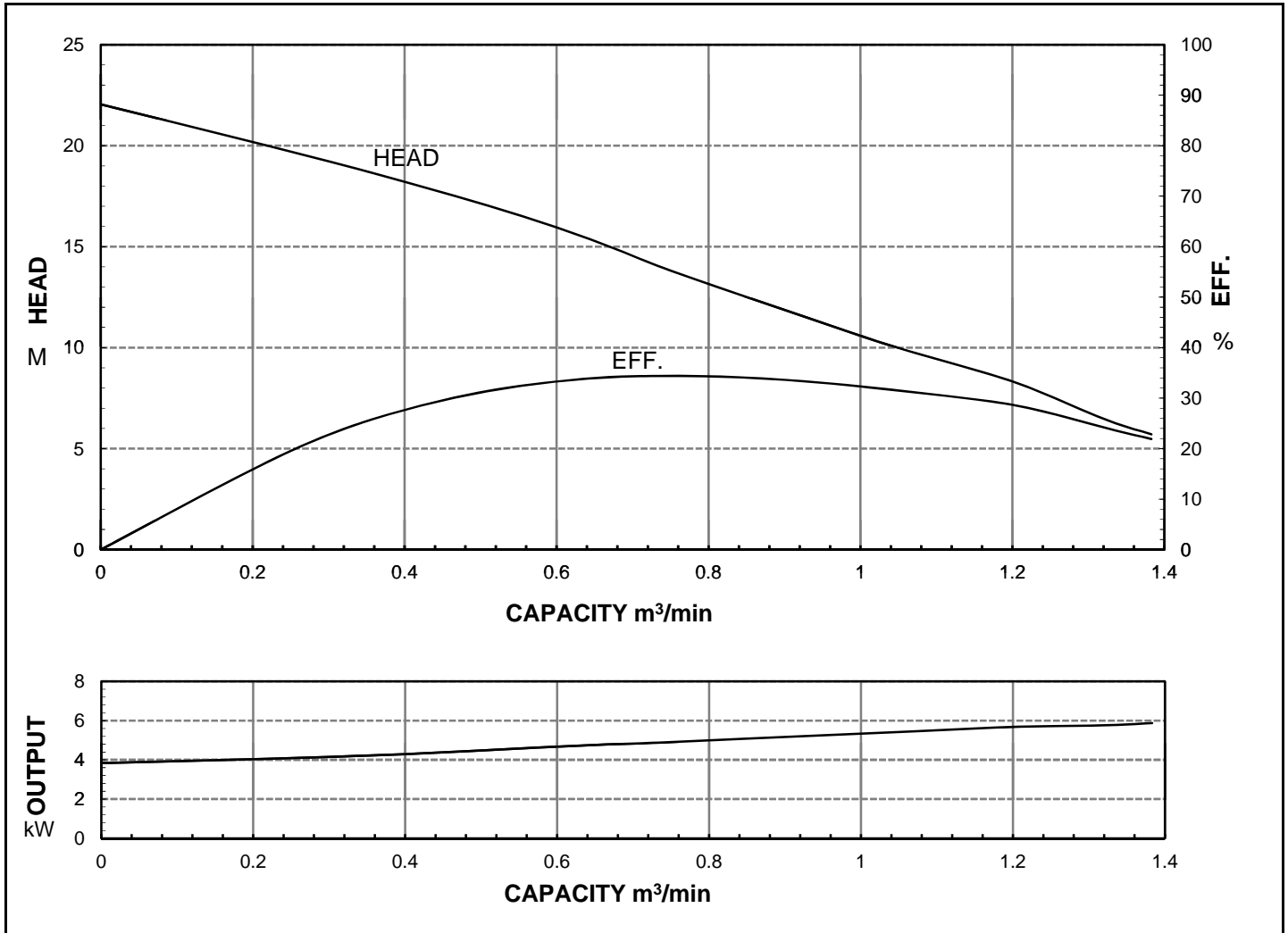


HCP PUMP

FILE NO. PC-M-E5-80AFU25.5L3

PUMP PERFORMANCE CURVES

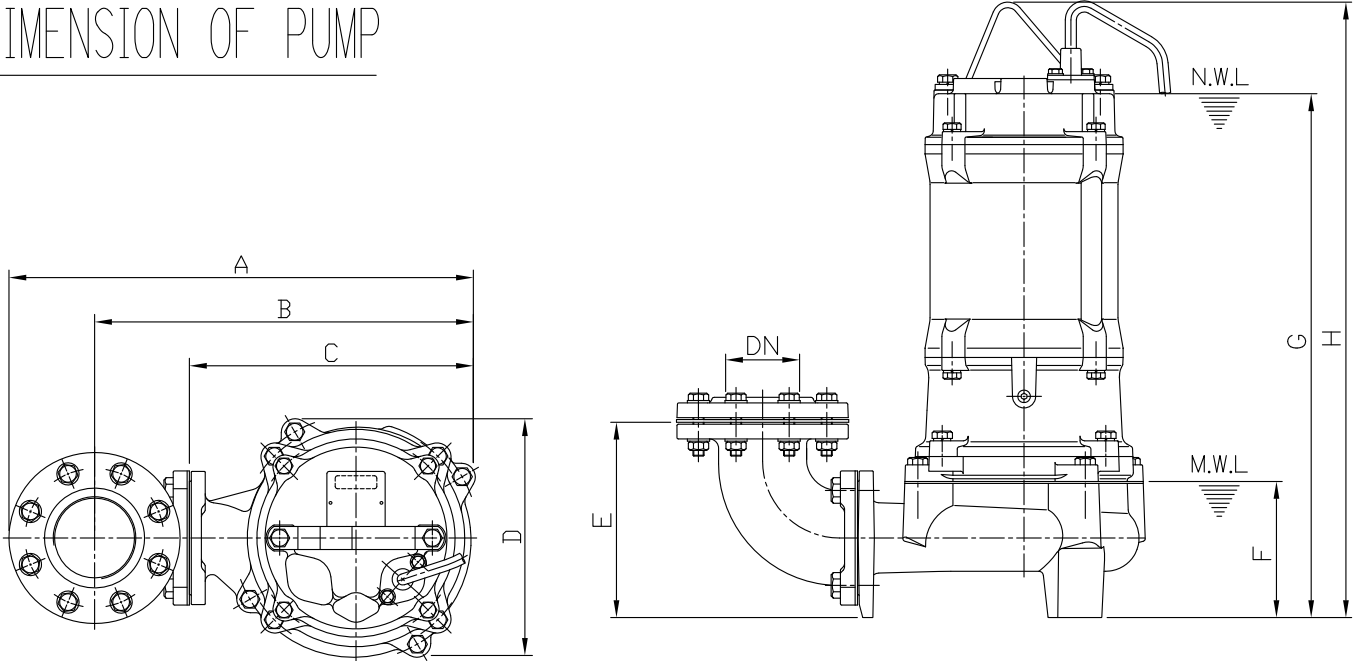
MODEL	80AFU25.5				DATE:	2014.05
	STANDARD SPECIFICATION				REFERENCE SPECIFICATION	
FREQUENCY	50			Hz		
DISCHARGE	3	inch	/	80	mm	
OUTPUT	7.5	HP	/	5.5	kW	HP kW
HEAD	13			M		
CAPACITY	0.8			m ³ /min		
PHASE/VOLTAGE	3 φ	230 V	380 V	400 V	415 V	φ V
RATED CURRENT		20.2 A	11.7 A	11.3 A	11.2 A	A
POLE / R.P.M.	2	P	/	2890	R.P.M.	
START METHOD	DIRECT					
INSULATION CLASS	F					
REMARK						



HCP PUMP MANUFACTURER CO.,LTD.

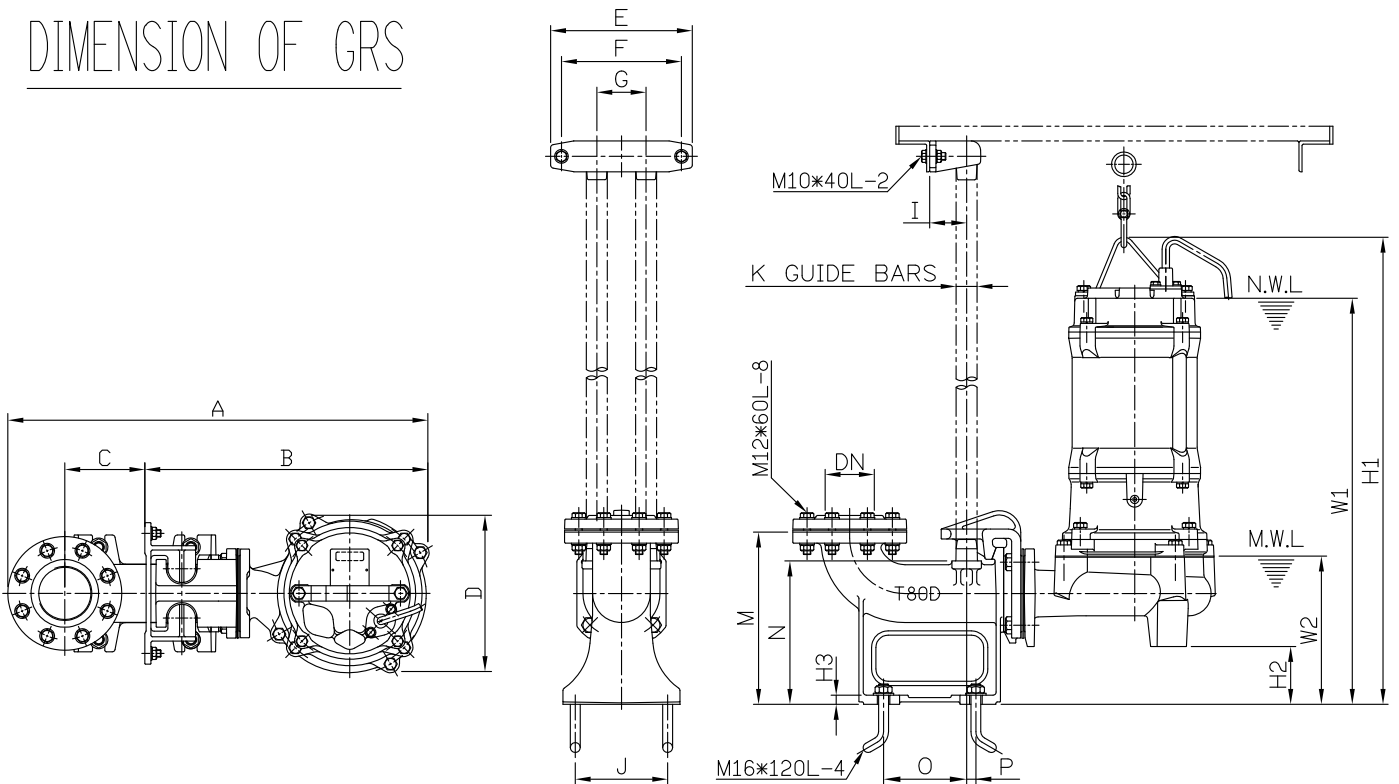
MODEL:80AFU25.5;80AFU27.5;80AFU25.5L;80AFU27.5L 3Ø

DIMENSION OF PUMP



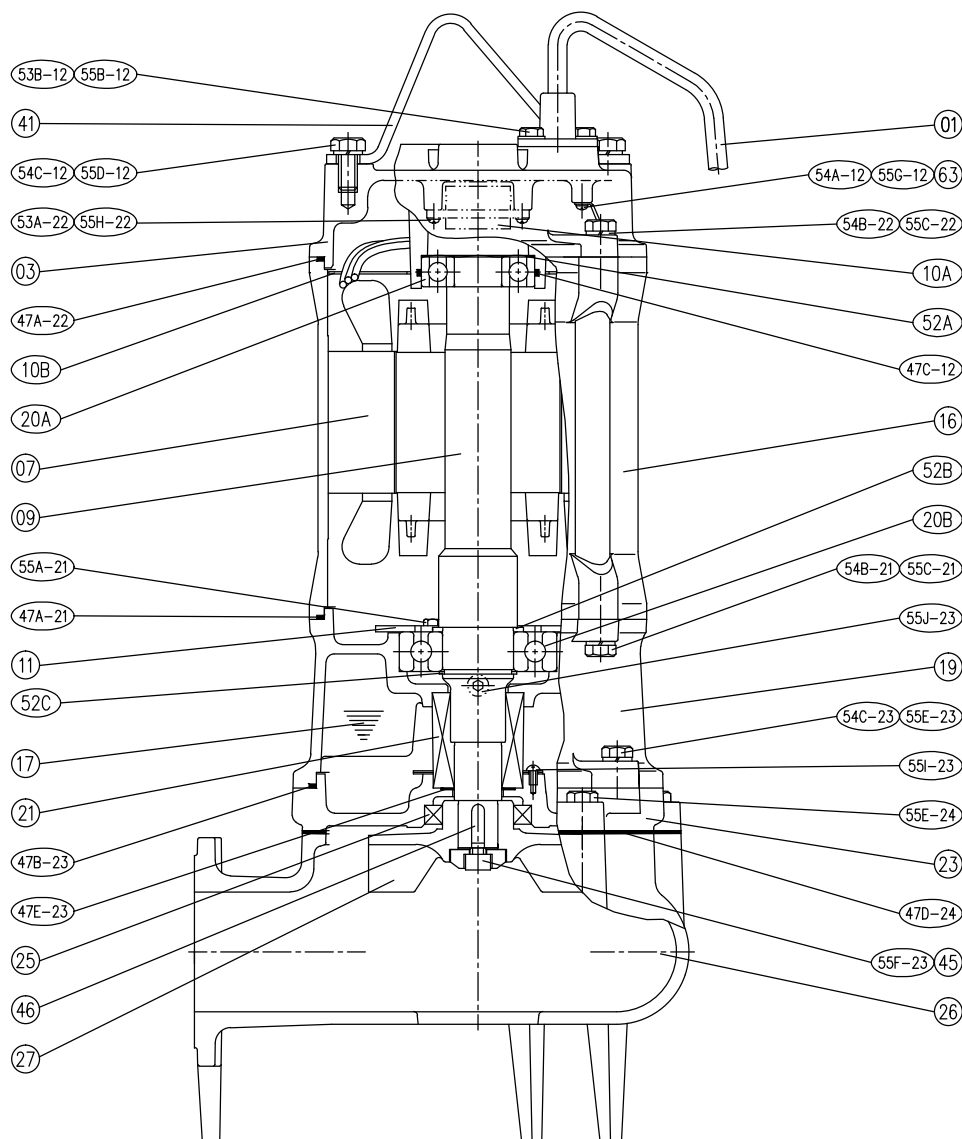
Model	DN	A	B	C	D	E	F	G	H
80AFU25.5	80	504	412	309	258	211	147	566	665
80AFU27.5	80	504	412	309	258	211	147	566	665
80AFU25.5L	80	509	417	314	273	247	199	618	717
80AFU27.5L	80	509	417	314	273	247	199	618	717

DIMENSION OF GRS



Model	DN	A	B	C	D	E	F	G	I	J	K	M	N	O	P	W1	W2	H1	H2	H3
80AFU25.5	80	685	462	130	258	230	195	80	60	150	1 1/4"	280	233	135	15	660	241	759	94	15
80AFU27.5	80	685	462	130	258	230	195	80	60	150	1 1/4"	280	233	135	15	660	241	759	94	15
80AFU25.5L	80	690	467	130	273	230	195	80	60	150	1 1/4"	280	233	135	15	676	257	775	58	15
80AFU27.5L	80	690	467	130	273	230	195	80	60	150	1 1/4"	280	233	135	15	676	257	775	58	15

N.W.L.: Normal water level
M.W.L.: Minimum water level



No.	Part name	Material	QTY	Remark
01	Cable		1	
03	Upper cover	FC200	1	
07	Stator		1	
09	Shaft(with Rotor)	SUS403	1	
10A	Auto-cut		1	
10B	Auto-cut plate		1	
11	Bearing fixer	SS400	1	
16	Motor frame	FC200	1	
17	Lubricant			
19	Bearing bracket	FC200	1	
20A	Upper bearing		1	
20B	Lower bearing		1	
21	M.seal	CA VS CE SIC VS SIC	1	

No.	Part name	Material	QTY	Remark
23	M.seal bracket	FC200	1	
25	Oil seal	NBR	1	
26	Casing	FC200	1	
27	Impeller	FC200	1	
41	Handle	SUS304	1	
46	Impeller key	SUS304	1	
47	Packing			