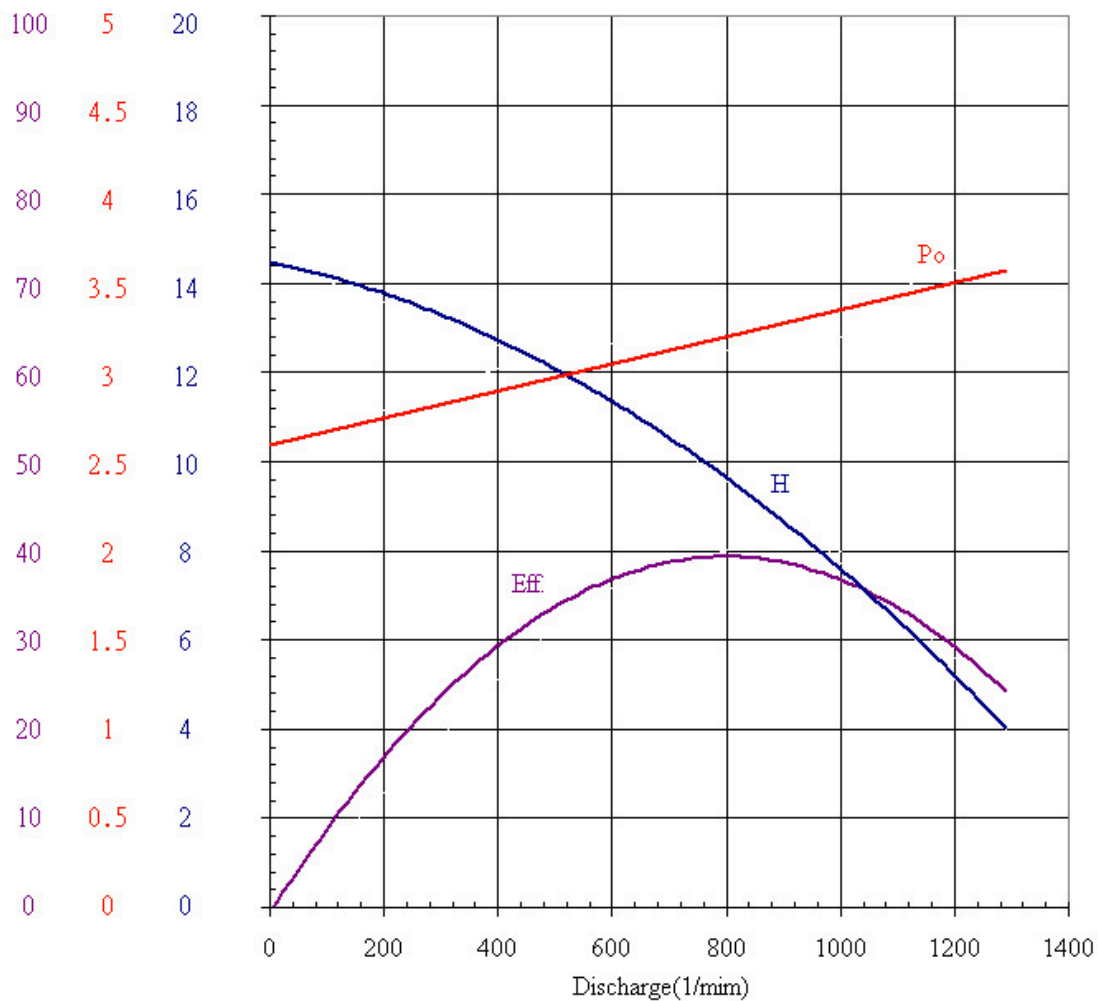


# 80KZN-43.7

<b>Model</b>	80KZN-43.7	<b>Kw</b>	3,7
<b>Voltage</b>	400-550VAC	<b>RPM</b>	1450
<b>Discharge size</b>	3"/80mm		
<b>Max Head (m)</b>	14.5	<b>Max Flow</b>	1200l/min
<b>Best Efficiency point</b>	620l/min@11m		
<b>Maximum Solids <math>\varnothing</math></b>	25mm		
<b>Weight (kg)</b>	130	<b>Frequency</b>	50HZ

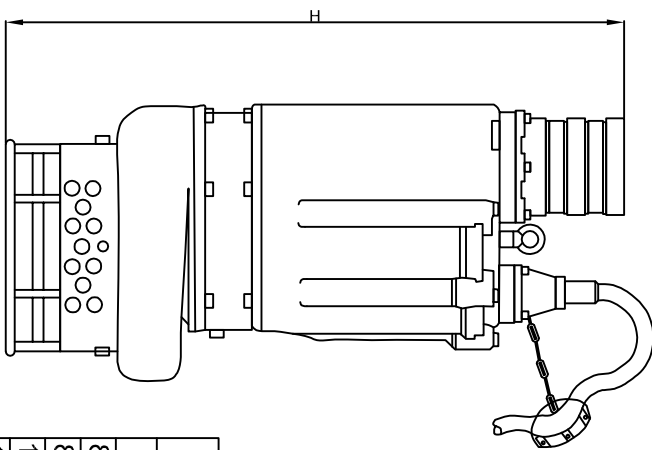
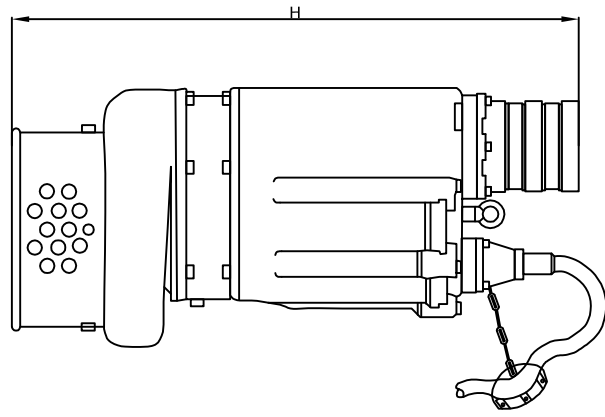
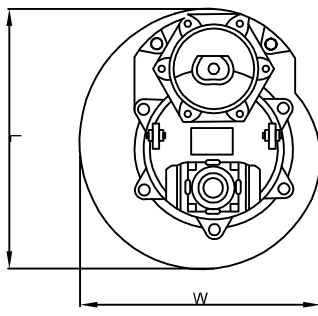
PUMP Performance Curve



Effic- Shaft Manom-  
ient Output etric  
% Po(KW) H(M)

**HCP Pumps SA**  
[www.hcppumps.co.za](http://www.hcppumps.co.za)  
 T: +27 11 452 8116/7

1 2 3 4 5 6 7 8 9 10 11 12 13 14 15 16 17 18 19 20



KZ	Pump Type	L	W	H
	KZN			
80KZ43.7	80KZN43.7	420	410	790/820
80KZ45.5	80KZN45.5	420	410	790/820
100KZ45.5	100KZN45.5	420	410	790/820
100KZ47.5	100KZN47.5	420	410	820/840
100KZ47.5	100KZN47.5	420	410	820/840
100KZ4.110	100KZN4.110	565	485	950/1100
150KZ4.110	150KZN4.110	565	485	950/1100
150KZ4.150	150KZN4.150	565	485	950/1100
150KZ4.150	150KZN4.150	565	485	950/1100
200KZ4.220	200KZN4.220	578	543	1280/1325
200KZ4.220	200KZN4.220	578	543	1280/1325

Tel: 011 452-8116/7/9

Fax: 011 452-8145

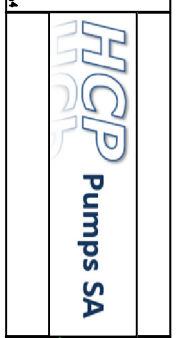
premielid: +27 (0)82 537 6800

(Please use this when Telkom is down)

Skype: sunthha.gov

E-mail: [sunthha@hccpumps.co.za](mailto:sunthha@hccpumps.co.za)

Website: [www.hccpumps.co.za](http://www.hccpumps.co.za)



SCHEMATIC DIAGRAM

SHEET 01 OF 01

CLIENT REF :

EJ'S REF : 612

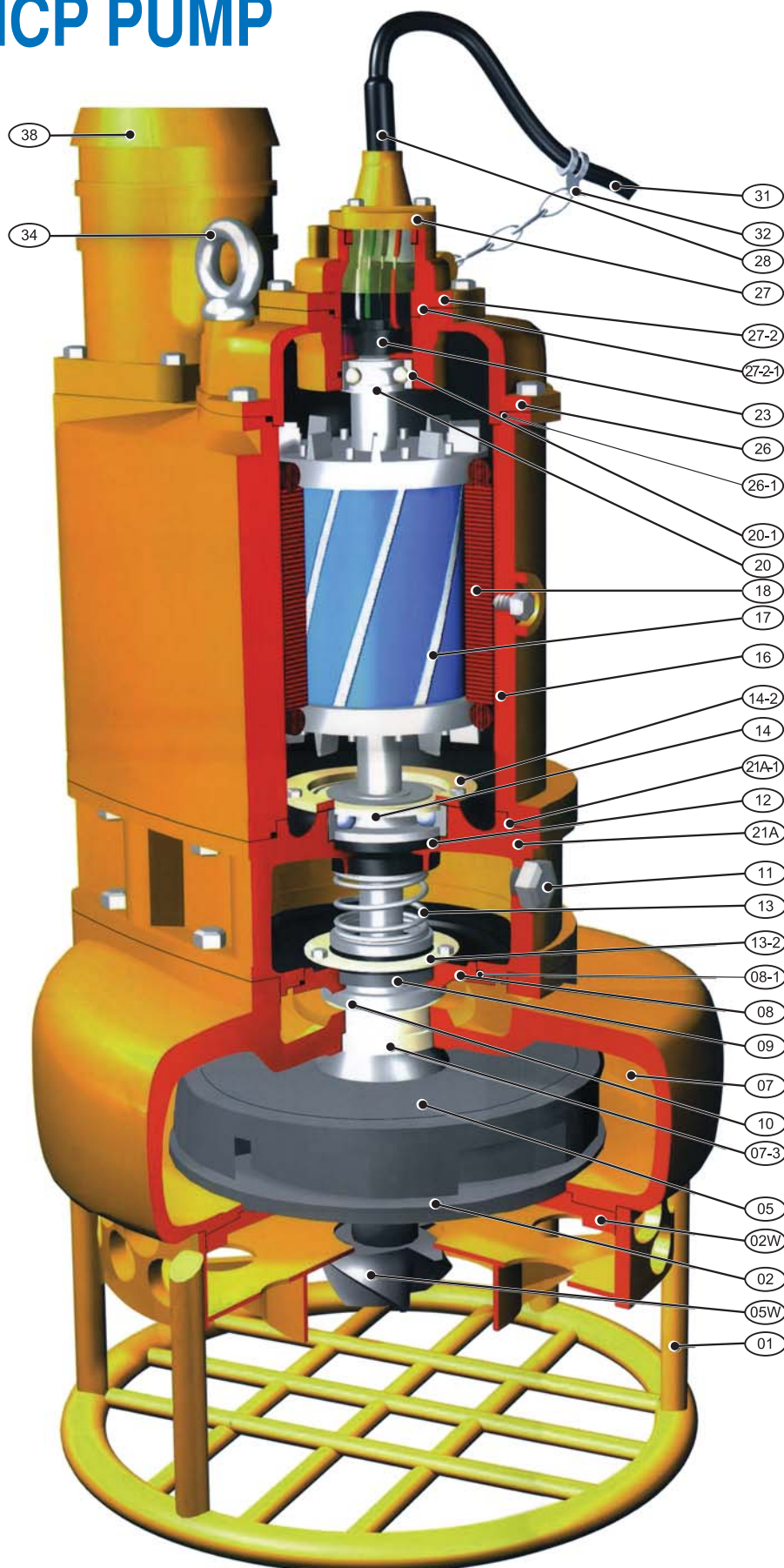
DWG No. : 612E001

REV 0

REV	DATE	DESCRIPTION	MARKED BY	CHECK
0	26/02/14	FDR APPROVAL	EJ	SM

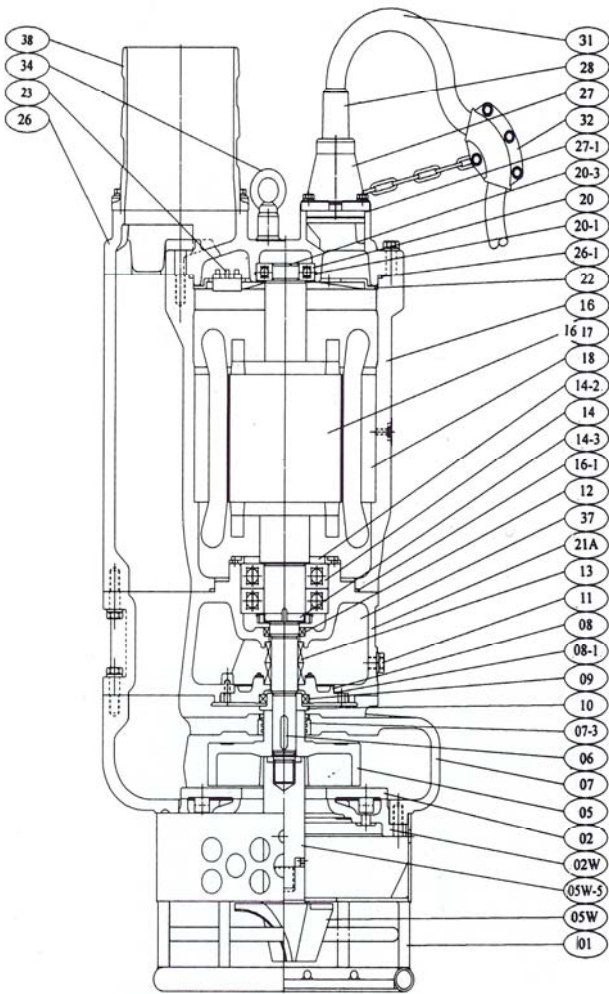
SHEET SIZE : A4

# KZN series



NO	DESCRIPTION
01	STRAINER
02	SUCTION COVER
02W	SUCTION COVER HOLDER
02-1	O-RING
05	IMPELLER
05W	AGITATOR
06	KEY
07	PUMP HOUSING
07-3	SLEEVE
08	OIL CHAMBER COVER
08-1	O-RING
09	LIP SEAL (LOWER)
10	SHAFT SLEEVE
11	PLUGS
12	LIP SEAL (UP)
13	MECHANICAL SEAL
13-2	SEAL COVER
14	BEARING (BOTTOM)
14-2	BEARING COVER
16	MOTOR CASING
17	ROTOR SHAFT
18	STATOR
20	BEARING (UP)
20-1	O-RING
21A	MOTOR BOTTOM COVER
21A-1	O-RING
23	OVERLOAD PROTECTOR
26	UPPER COVER
26-1	O-RING
27	CABLE GLAND
27-1	O-RING
27-2	CABLE GLAND
27-2-1	O-RING
28	RUBBER SLEEVE
31	CABLE
32	CABLE CLAMPS
34	HANDLE
37	OIL
38	DISCHARGE OUTLET

# PARTS LIST



NO	DESCRIPTION	MATERIAL
01	STRAINER (KZ)	ST
01	STRAINER (KZN)	ST
02	SUCTION COVER	HICR
02W	SUCTION COVER HOLDER	FC 200
05	IMPELLER	HICR
05W	AGITATOR	HICR
05W-5	SPINDLE IMPELLER	S45C
06	KEY	SUS 304
07	PUMP HOUSING	FCD 450
07-3	PUMP HOUSING SLEEVE	SKD11
08	COVER OF OIL CHAMBER	FC 200
08-1	ORING	NBR
09	LIP SEAL (BOTTOM)	NBR
10	SHAFT SLEEVE	SKD11
11	PLUGS	SUS 304
12	LIP SEAL (BOTTOM)	NBR
13	MECHANICAL SEAL	SIC / SIC
14	BEARING (BOTTOM)	
14-2	BEARING COVER	FCD 450
14-3	NUTS WITH ROLLING BEARINGS	ST
16	MOTOR CASING	FC 200
16-1	ORING	NBR
17	ROTOR SHAFT	SUS 410
18	STATOR	
20	BEARING (UP)	
20-1	ORING	NBR
20-3	WASHER ROOFING	
21A	MOTOR BOTTOM COVER	FC 200
22	SEPARATOR BOARD	AL
23	OVERLOAD PROTECTOR	
26	UPPER COVER	FCD 450
26-1	ORING	NBR
27	CABLE GLAND	FC 200
27-1	ORING	NBR
28	RUBBER SLEEVE	NBR
31	CABLE	PVC
32	CABLE CLAMPS	FC 200
34	HANDLE	ST
37	OIL	R-32
38	DISCHARGE OUTLET	FC 200