

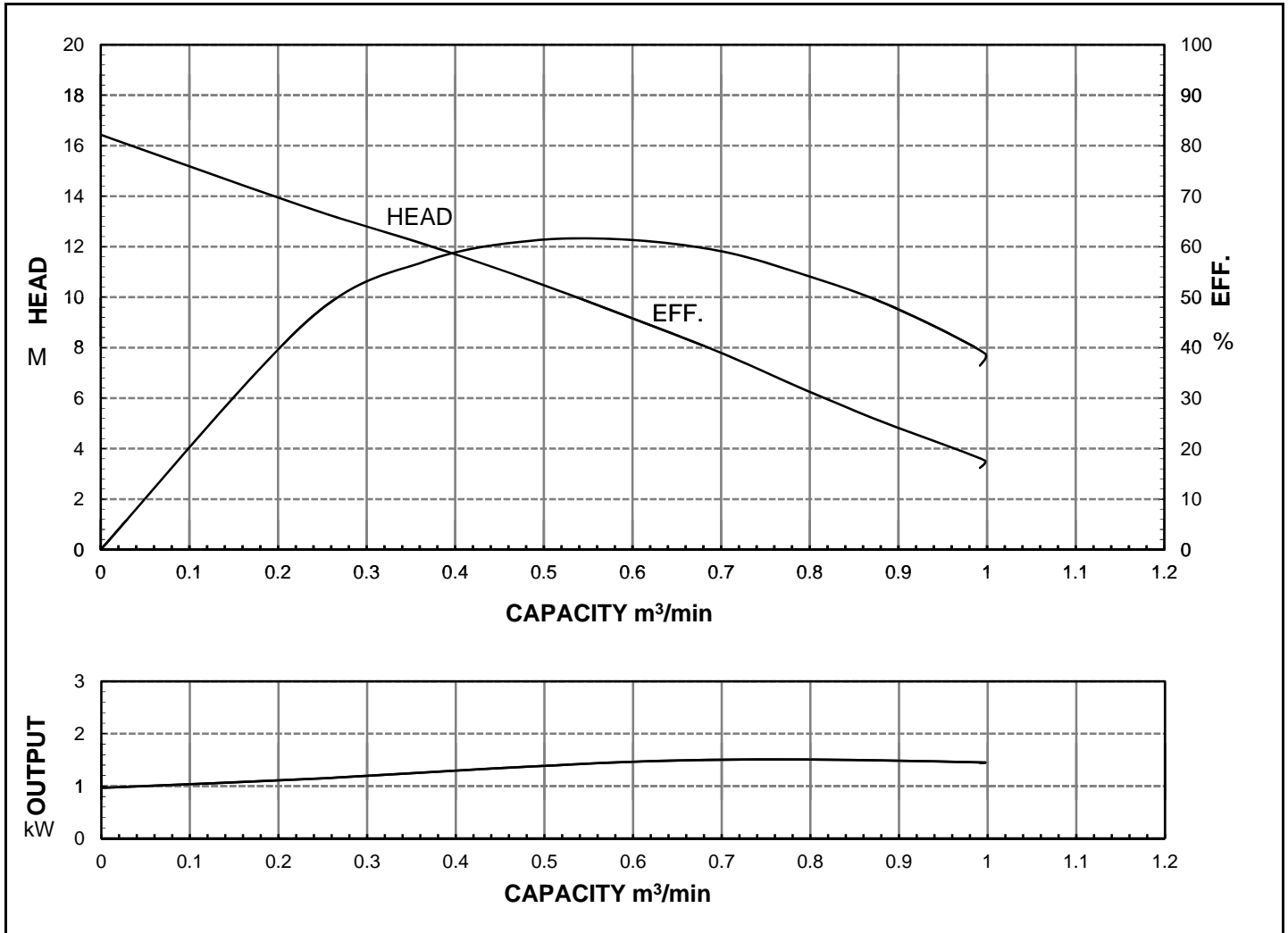


HCP PUMP

FILE NO PC-M-E5-80SFP21.53

PUMP PERFORMANCE CURVES

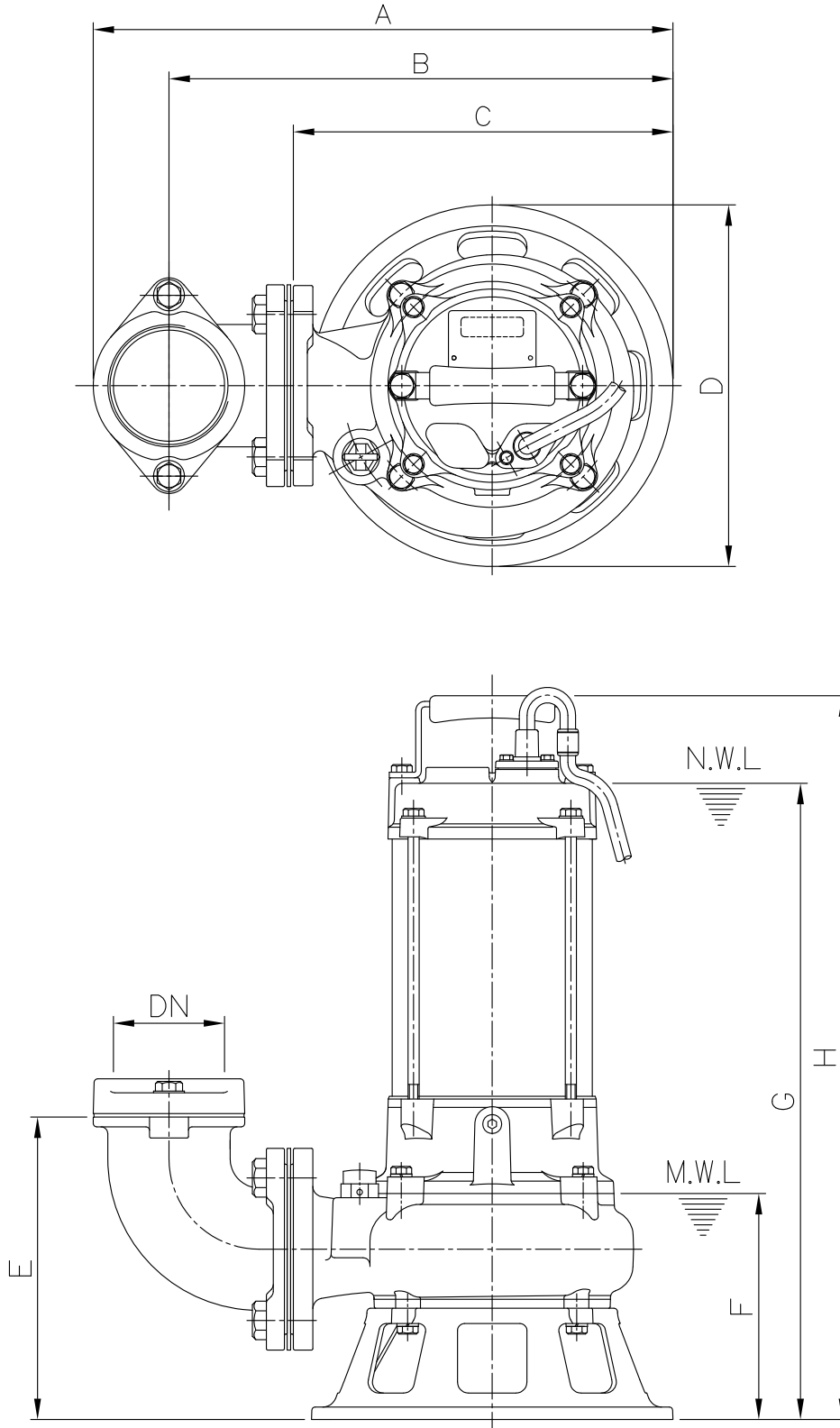
MODEL	80SFP21.5				DATE:	2013.08
	STANDARD SPECIFICATION				REFERENCE SPECIFICATION	
FREQUENCY	50			Hz		
DISCHARGE	3	inch	/	80	mm	
OUTPUT	2	HP	/	1.5	kW	HP kW
HEAD	8.5			M		
CAPACITY	0.6			m ³ /min		
PHASE/VOLTAGE	3 φ	230 V	380 V	400 V	415 V	φ V
RATED CURRENT		6.1 A	3.6 A	3.5 A	3.4 A	A
POLE / R.P.M.	2	P	/	2820	R.P.M.	
START METHOD	DIRECT					
INSULATION CLASS	B(F)					
REMARK						



HCP PUMP MANUFACTURER CO.,LTD.

MODEL:80SFP21.5 80SFP22.2 3Ø

DIMENSION OF PUMP



Model	DN	A	B	C	D	E	F	G	H
80SFP21.5	80	417	363	275	260	218	163	458	521
80SFP22.2	80	417	363	275	260	218	163	458	521

N.W.L: Normal water level
M.W.L: Minimum water level



PUMP

SECTIONAL DRAWING

A3SFP215030-00

DATE:2013-06

MODEL:80SFP21.5 3 Ø

