

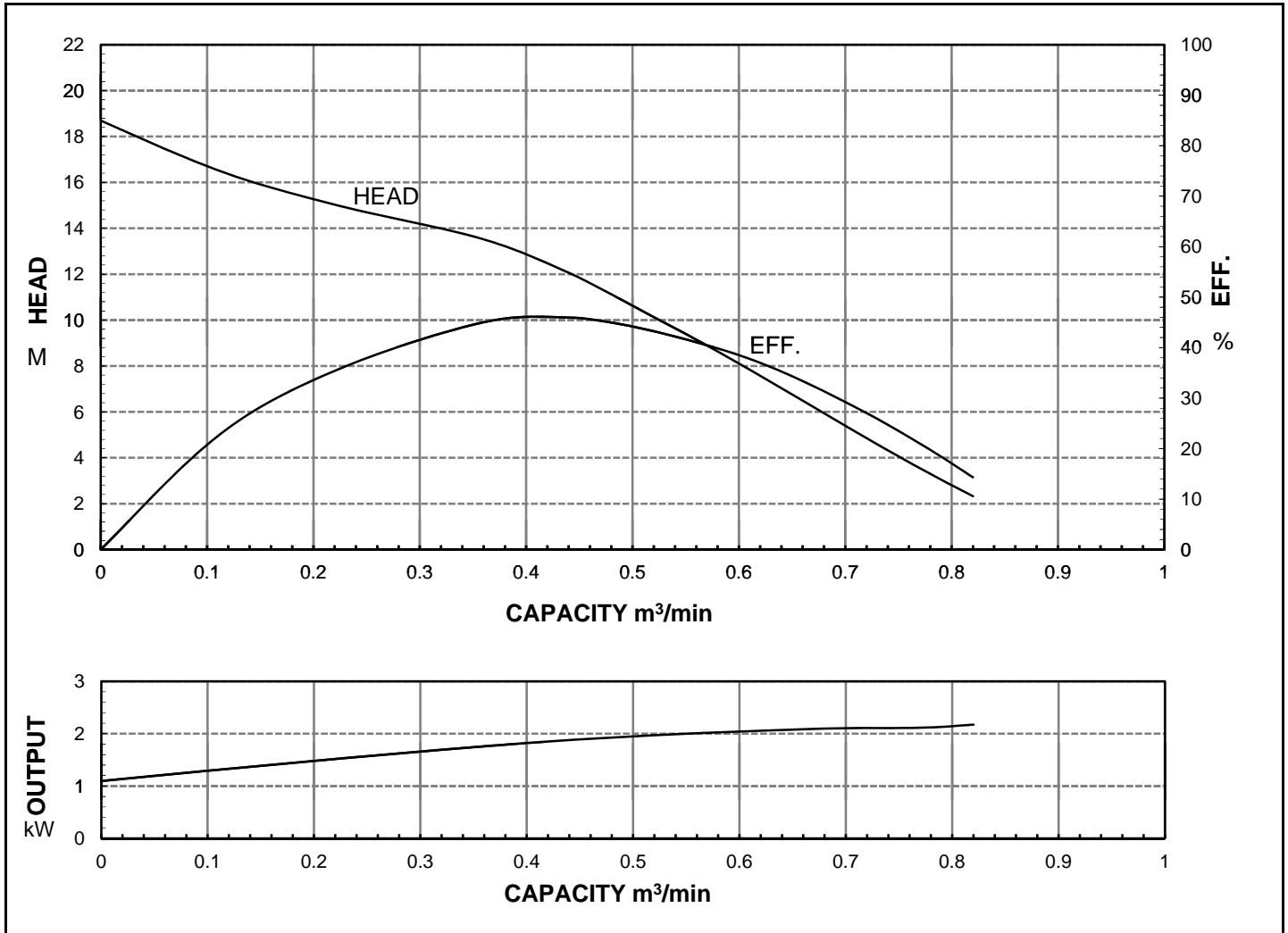


HCP PUMP

FILE NO PC-M-E5-80SFU22.23

PUMP PERFORMANCE CURVES

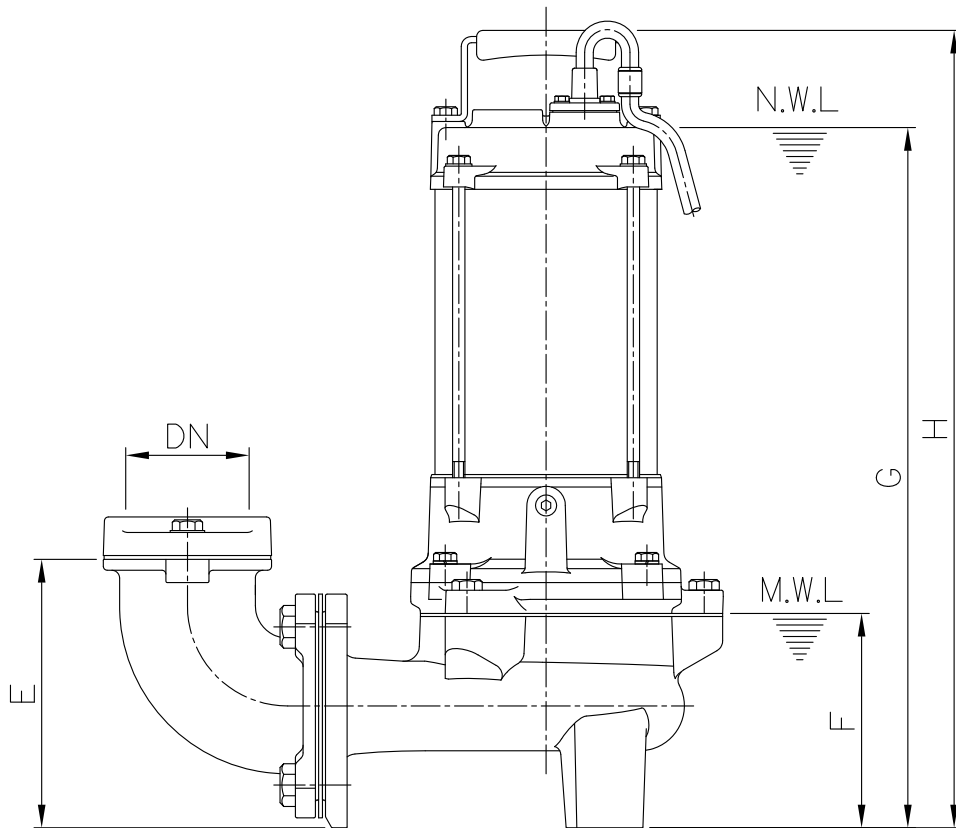
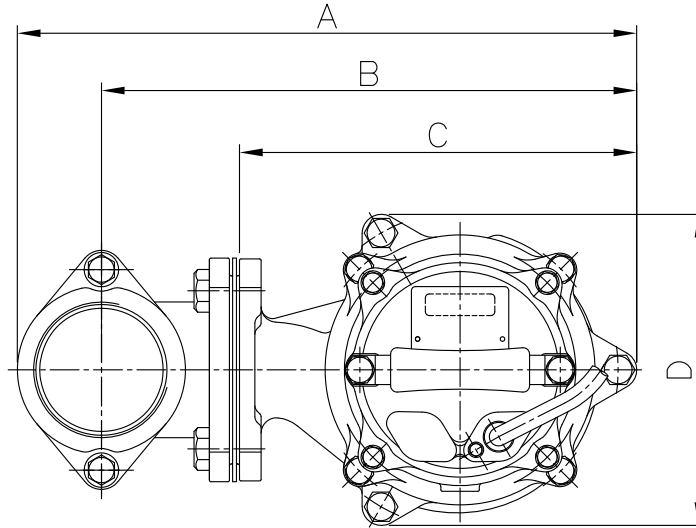
MODEL	80SFU22.2				DATE:	2013.08
	STANDARD SPECIFICATION				REFERENCE SPECIFICATION	
FREQUENCY	50			Hz		
DISCHARGE	3	inch	/	80	mm	
OUTPUT	3	HP	/	2.2	kW	HP kW
HEAD	13			M		
CAPACITY	0.4			m ³ /min		
PHASE/VOLTAGE	3 φ	230 V	380 V	400 V	415 V	φ V
RATED CURRENT		8.6 A	5.1 A	5.0 A	4.8 A	A
POLE / R.P.M.	2	P	/	2840	R.P.M.	
START METHOD	DIRECT					
INSULATION CLASS	B(F)					
REMARK						



HCP PUMP MANUFACTURER CO.,LTD.

MODEL:80SFU21.5 80SFU22.2 3Ø

DIMENSION OF PUMP



Model	DN	A	B	C	D	E	F	G	H
80SFU21.5	80	402	348	260	202	174	139	454	517
80SFU22.2	80	402	348	260	202	174	139	454	517

N.W.L: Normal water level
M.W.L: Minimum water level



PUMP

SECTIONAL DRAWING

A3SFU222030-00

DATE:2013-06

MODEL:80SFU22.2 3 Ø

