

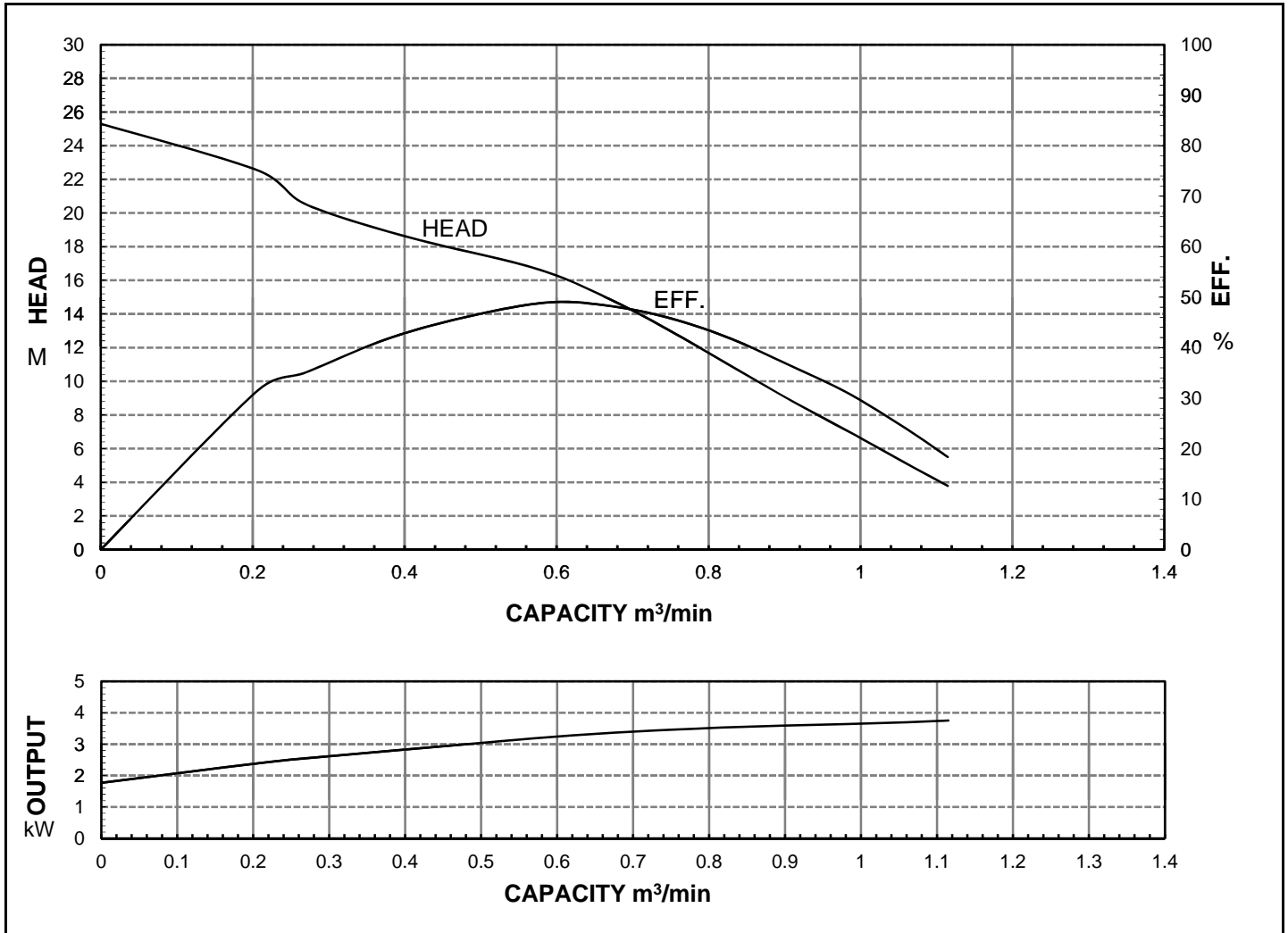


HCP PUMP

FILE NO PC-M-E5-80SFU23.73

PUMP PERFORMANCE CURVES

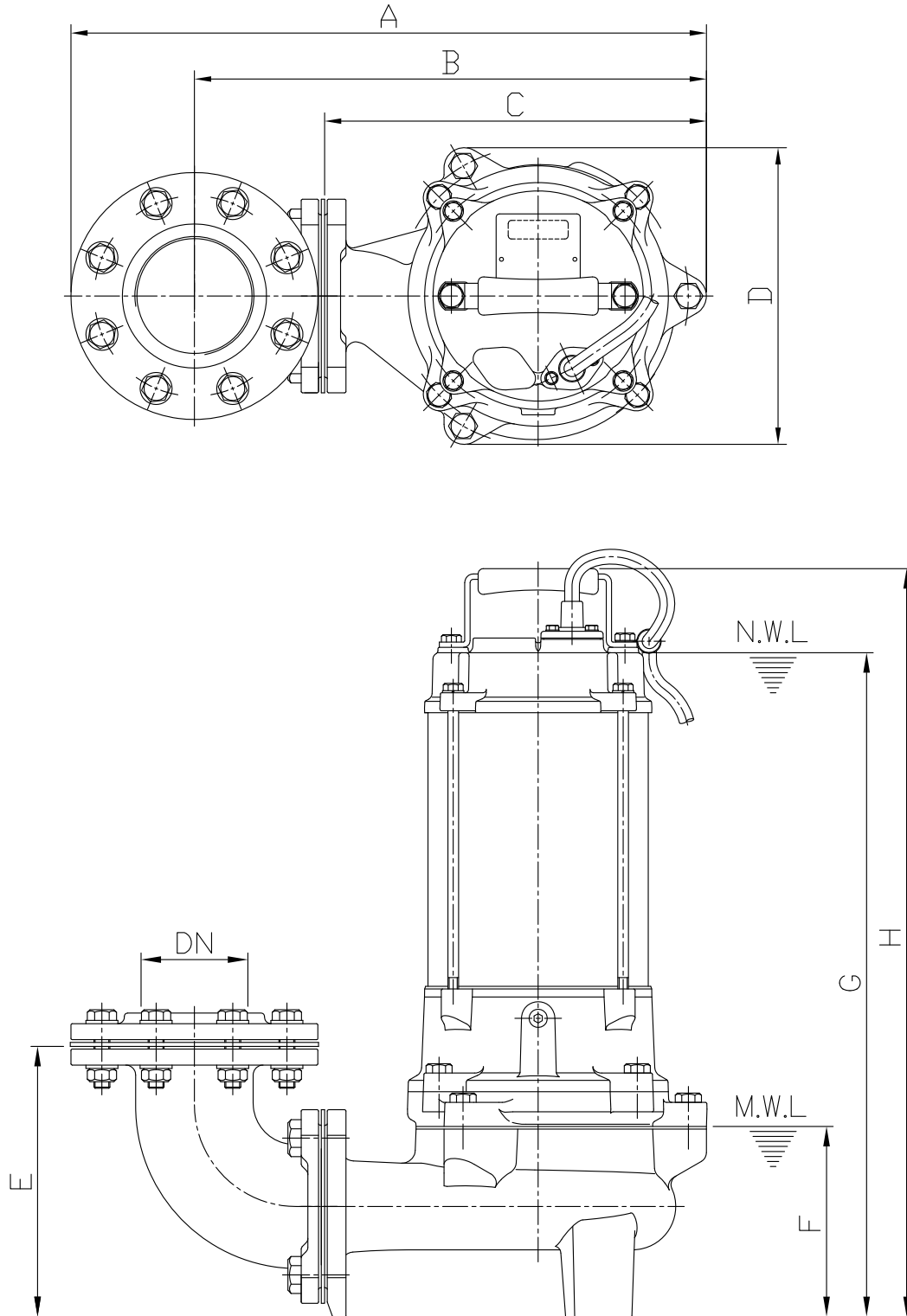
MODEL	80SFU23.7				DATE:	2013.05
	STANDARD SPECIFICATION				REFERENCE SPECIFICATION	
FREQUENCY	50			Hz		
DISCHARGE	3	inch	/	80	mm	
OUTPUT	5	HP	/	3.7	kW	HP kW
HEAD	17.5			M		
CAPACITY	0.5			m ³ /min		
PHASE/VOLTAGE	3 φ	230 V	380 V	400 V	415 V	φ V
RATED CURRENT		14.0 A	8.4 A	8.2 A	7.7 A	A
POLE / R.P.M.	2	P	/	2850	R.P.M.	
START METHOD	DIRECT					
INSULATION CLASS	F					
REMARK						



HCP PUMP MANUFACTURER CO.,LTD.

MODEL:80SFU23.7 3Ø

DIMENSION OF PUMP



Model	DN	A	B	C	D	E	F	G	H
80SFU23.7	80	476	384	286	223	203	143	498	561

N.W.L.: Normal water level
M.W.L.: Minimum water level



PUMP

SECTIONAL DRAWING

03SFU237030-00

DATE:2013-05

MODEL: 80SFU23.7 3Ø

