

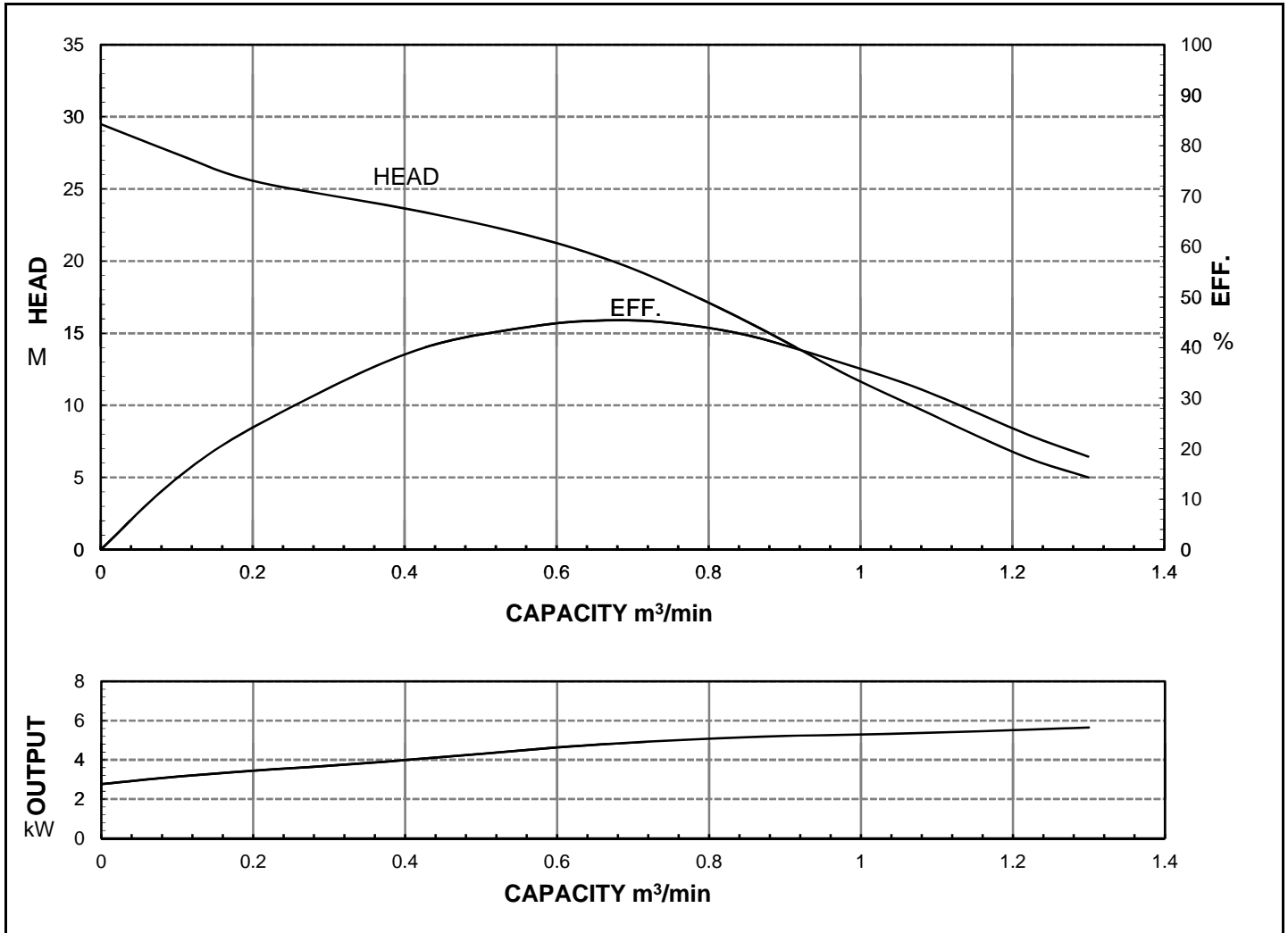


# HCP PUMP

FILE NO. PC-M-E5-80SFU25.53

## PUMP PERFORMANCE CURVES

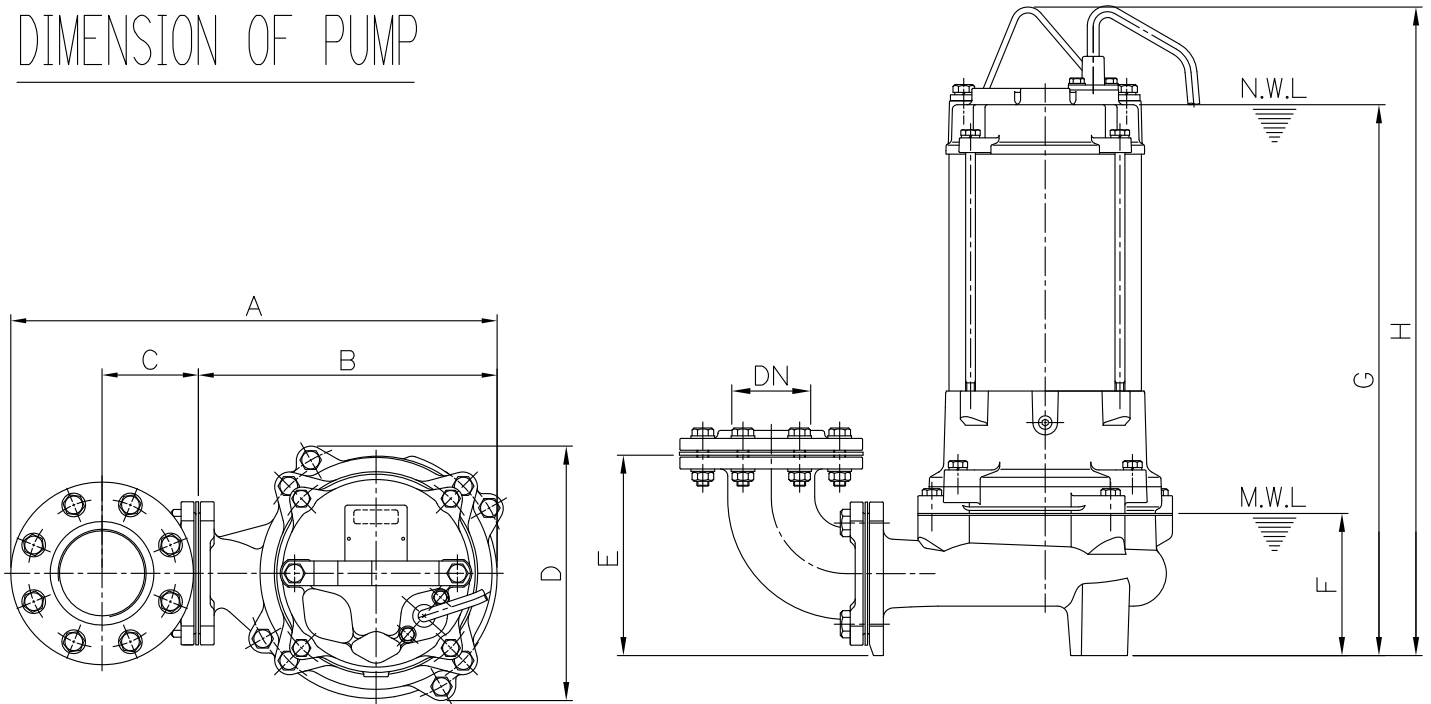
MODEL	80SFU25.5				DATE:	2014.05
	STANDARD SPECIFICATION				REFERENCE SPECIFICATION	
FREQUENCY	50			Hz		
DISCHARGE	3	inch	/	80	mm	
OUTPUT	7.5	HP	/	5.5	kW	HP      kW
HEAD	21			M		
CAPACITY	0.6			m <sup>3</sup> /min		
PHASE/VOLTAGE	3 φ	230 V	380 V	400 V	415 V	φ      V
RATED CURRENT		20.2 A	11.7 A	11.3 A	11.2 A	A
POLE / R.P.M.	2	P	/	2890	R.P.M.	
START METHOD	DIRECT					
INSULATION CLASS	F					
REMARK						



**HCP PUMP MANUFACTURER CO.,LTD.**

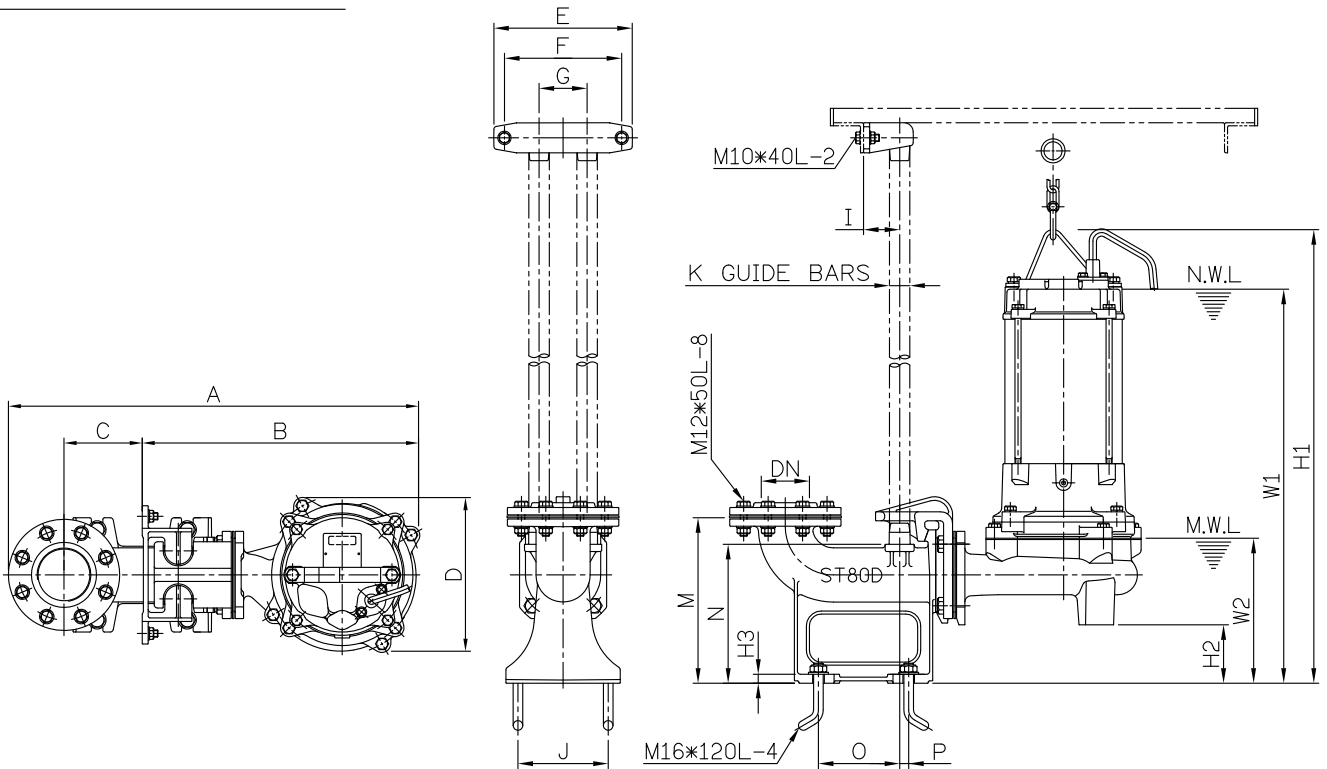
MODEL:80SFU25.5;80SFU27.5 3Ø

DIMENSION OF PUMP



Model	DN	A	B	C	D	E	F	G	H
80SFU25.5	80	499	309	98	258	203	144	558	657
80SFU27.5	80	499	309	98	258	203	144	558	657

DIMENSION OF GRS



Model	DN	A	B	C	D	E	F	G	I	J	K	M	N	O	P	W1	W2	H1	H2	H3
80SFU25.5	80	685	462	130	258	230	195	80	60	150	1 1/4"	275	231	135	15	655	241	754	97	15
80SFU27.5	80	685	462	130	258	230	195	80	60	150	1 1/4"	275	231	135	15	655	241	754	97	15

N.W.L: Normal water level  
M.W.L: Minimum water level

