

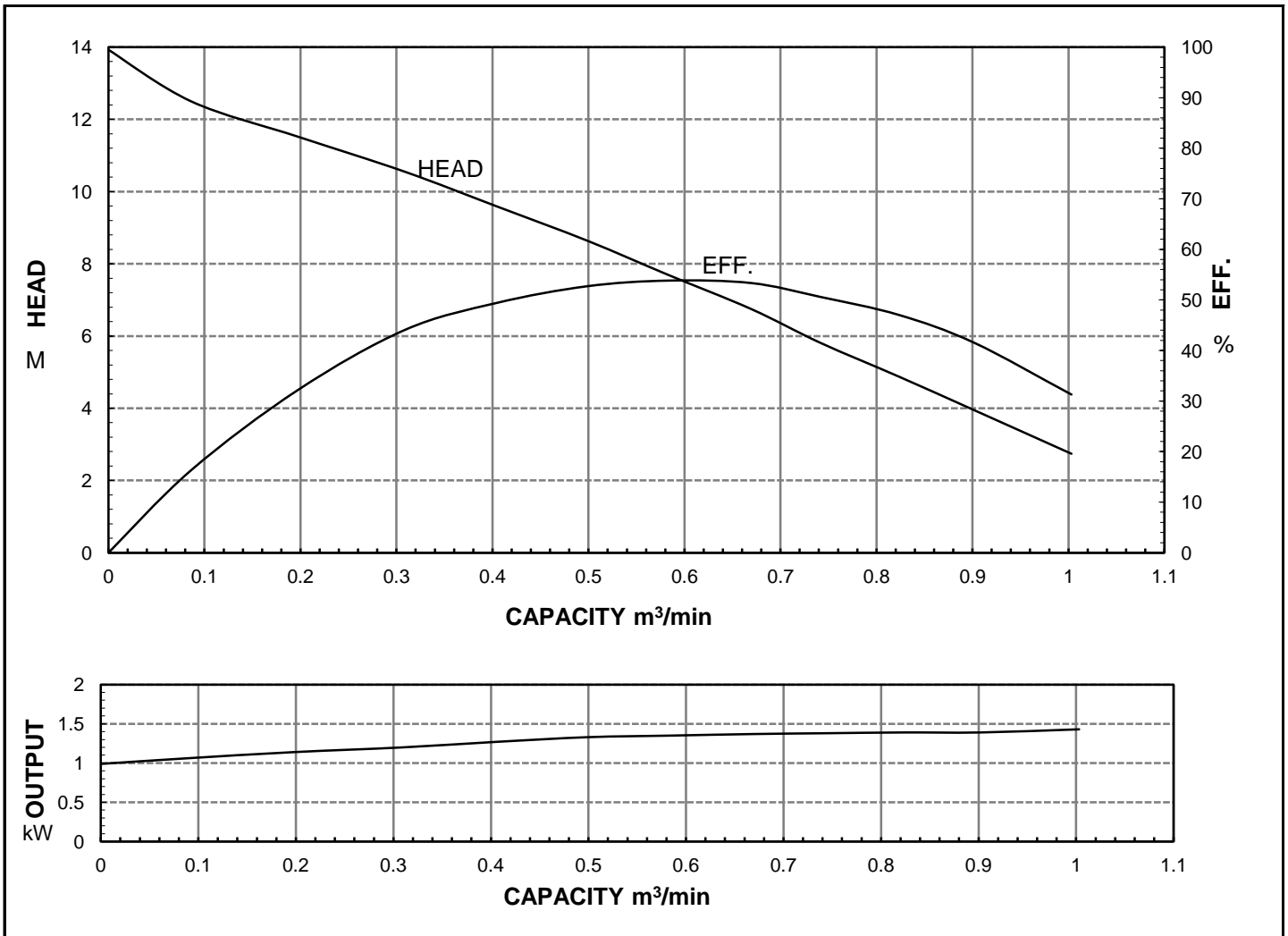


# HCP PUMP

FILE NO PC-M-E5-80AFP41.51

## PUMP PERFORMANCE CURVES

MODEL	80AFP41.5					DATE:	2011.1	
	STANDARD SPECIFICATION					REFERENCE SPECIFICATION		
FREQUENCY	50					Hz		
DISCHARGE	3	inch	/	80	mm			
OUTPUT	2	HP	/	1.5	kW	HP	kW	
HEAD	8					M		
CAPACITY	0.5					m <sup>3</sup> /min		
PHASE/VOLTAGE	1 $\phi$	220 V	230 V	240 V			$\phi$	V
RATED CURRENT		10.4 A	10.2 A	10.0 A				A
POLE / R.P.M.	4	P	/	1380	R.P.M.			
START METHOD	DIRECT							
INSULATION CLASS	B							
REMARK								



**HCP PUMP MANUFACTURER CO.,LTD.**

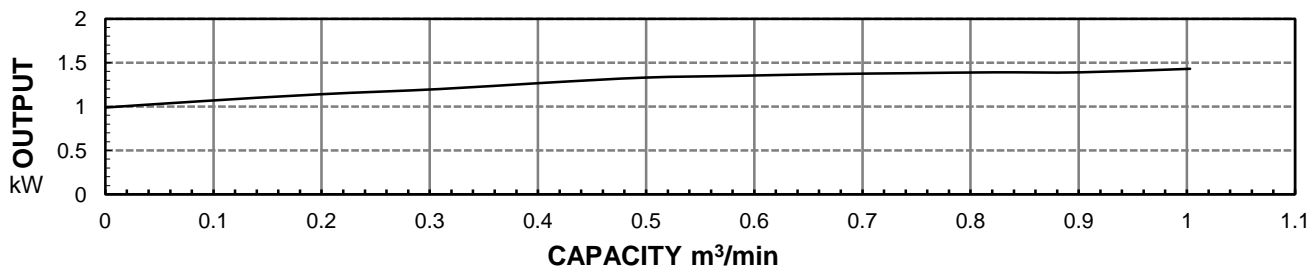
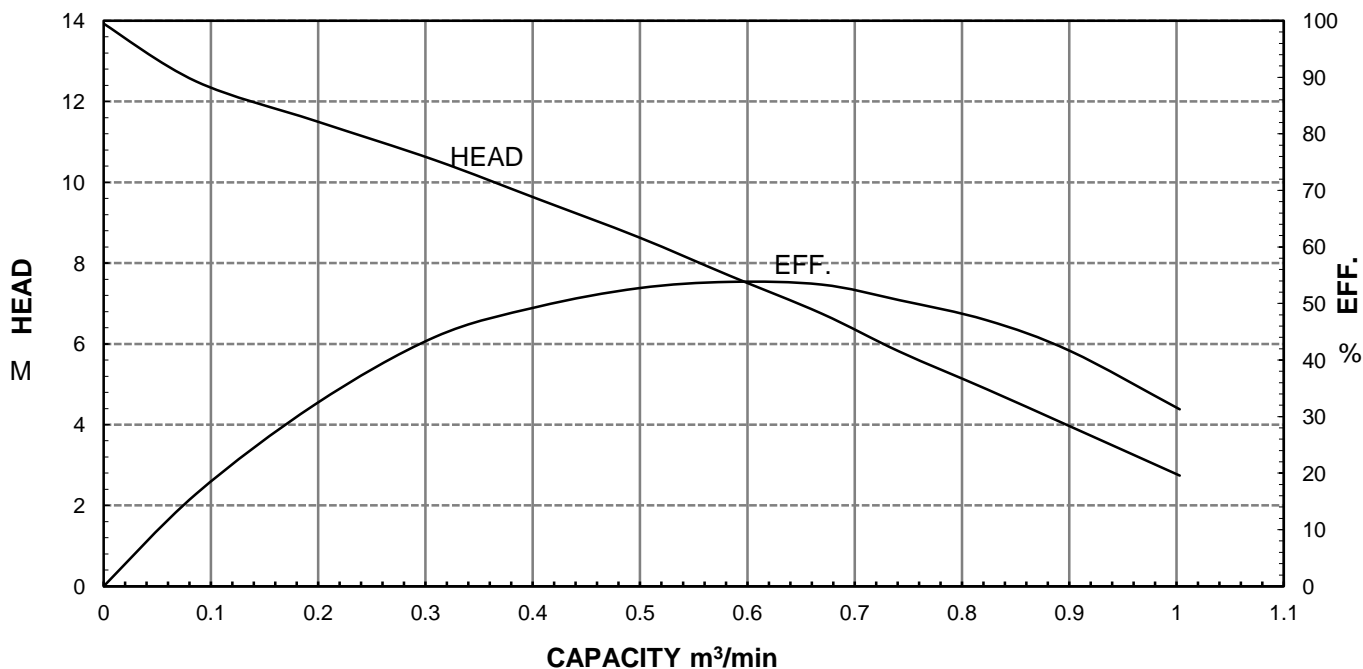


# HCP PUMP

FILE NO PC-M-E5-80AFP41.53

## PUMP PERFORMANCE CURVES

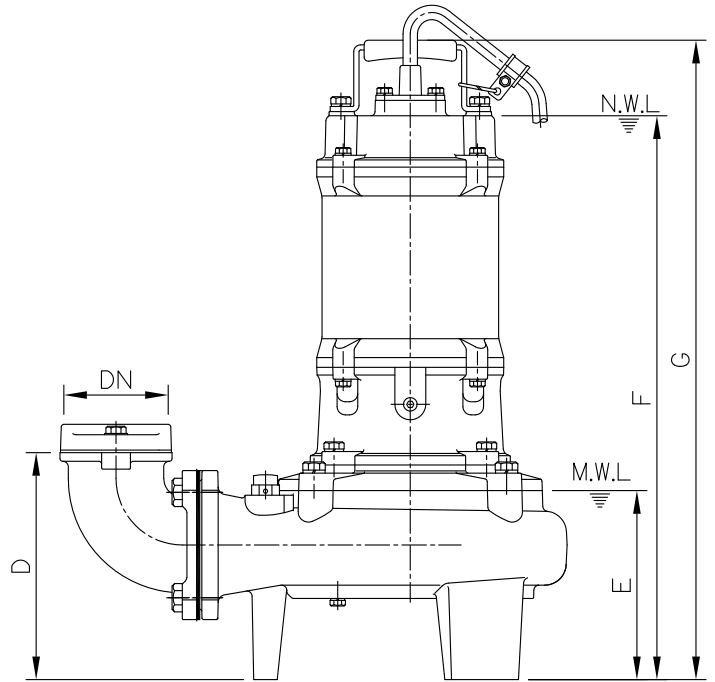
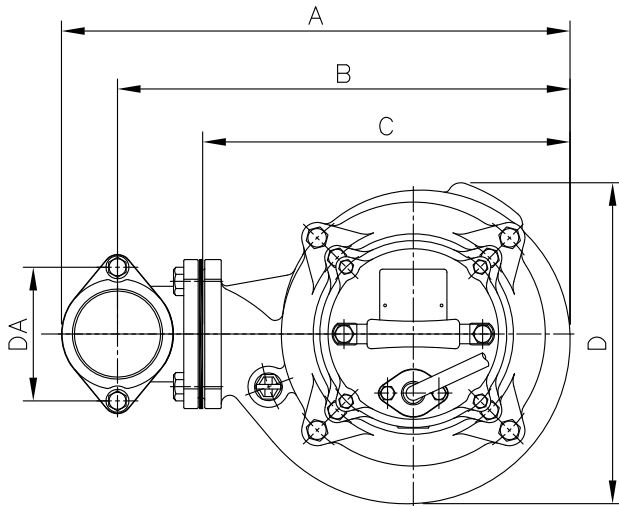
MODEL	80AFP41.5				DATE:	2011.1
	STANDARD SPECIFICATION				REFERENCE SPECIFICATION	
FREQUENCY	50			Hz		
DISCHARGE	3	inch	/	80	mm	
OUTPUT	2	HP	/	1.5	kW	HP      kW
HEAD	8			M		
CAPACITY	0.5			m <sup>3</sup> /min		
PHASE/VOLTAGE	3 φ	230 V	380 V	400 V	415 V	φ      V
RATED CURRENT		6.6 A	3.9 A	3.8 A	3.6 A	A
POLE / R.P.M.	4	P	/	1380	R.P.M.	
START METHOD	DIRECT					
INSULATION CLASS	B					
REMARK						



**HCP PUMP MANUFACTURER CO.,LTD.**

MODEL: 80AFP41.5

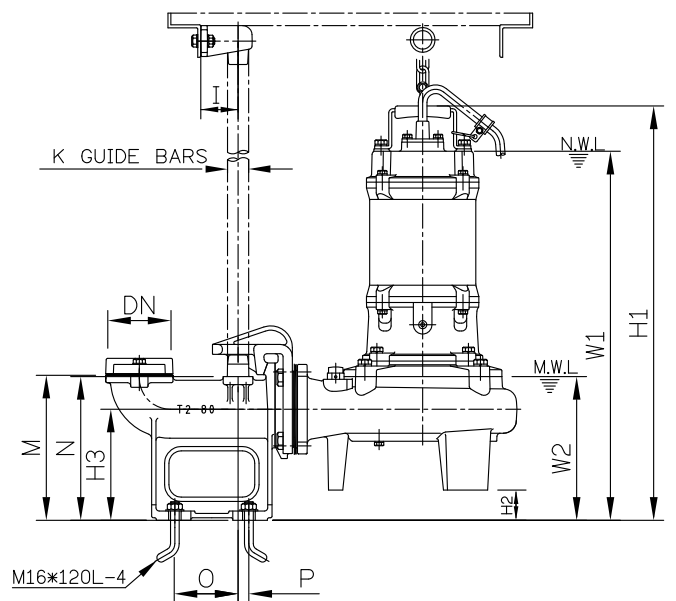
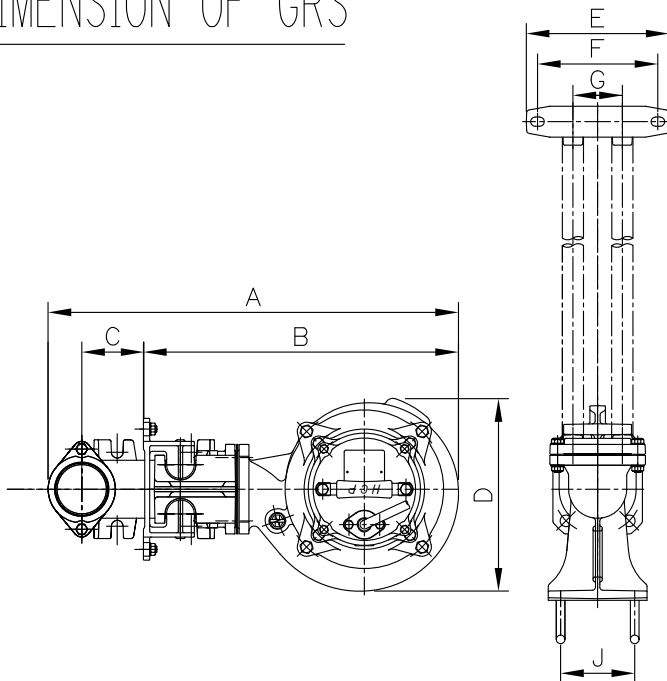
DIMENSION OF PUMP



Model	DN	DA	A	B	C	D	E	F	G	H
80AFP41.5	80	80	472	418	334	290	221	182	504(582)	567(645)

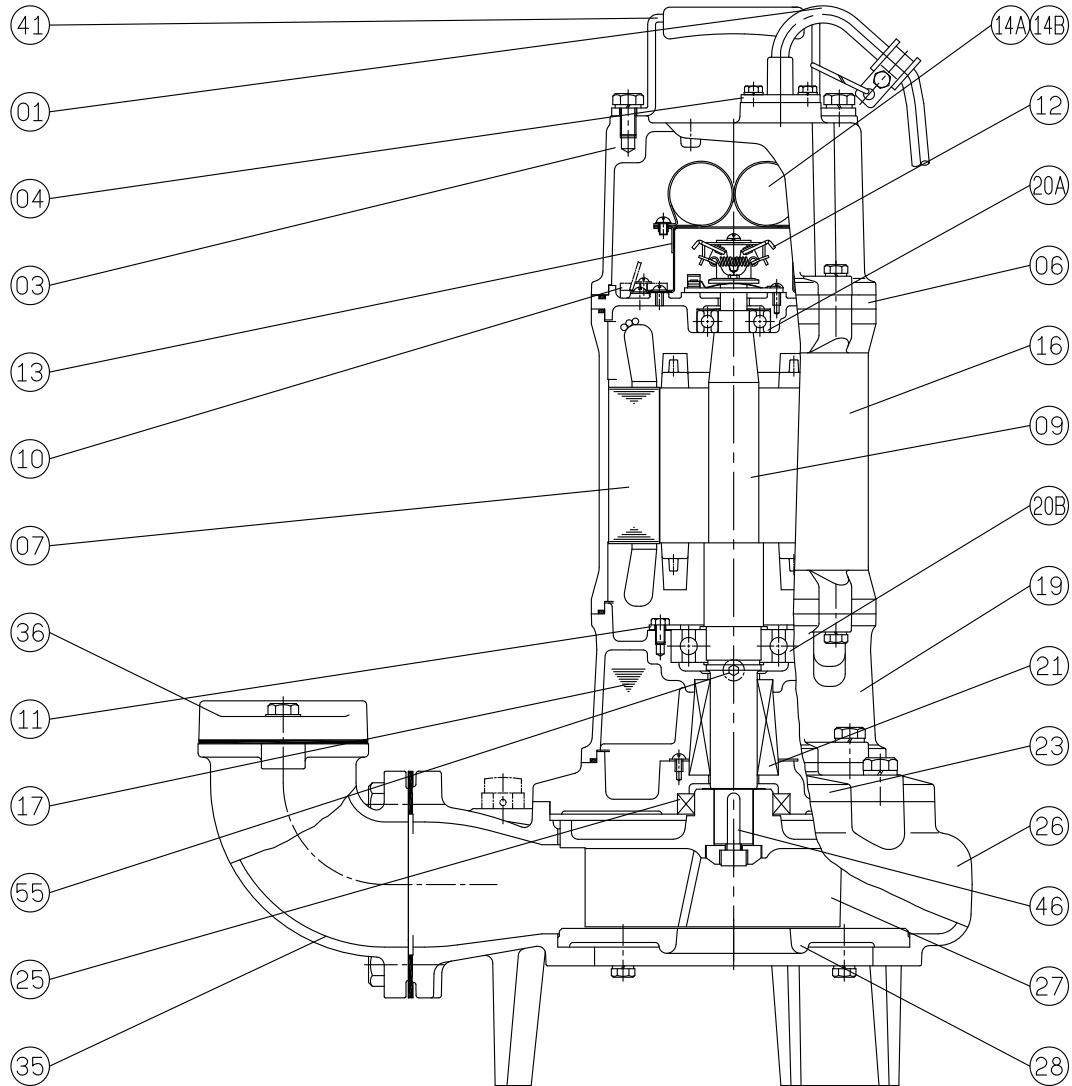
Remark: ( )Dimensions in 1Ø  
 N.W.L: Normal water level  
 M.W.L: Minimum water level

DIMENSION OF GRS



Model	DN	A	B	C	D	E	F	G	I	J	K	M	N	O	P	W1	W2	H1	H2	H3
80AFP41.5	80	640	480	100	290	230	195	80	60	120	1,1/4"	235	233	103	18	553(631)	231	616(694)	49	180

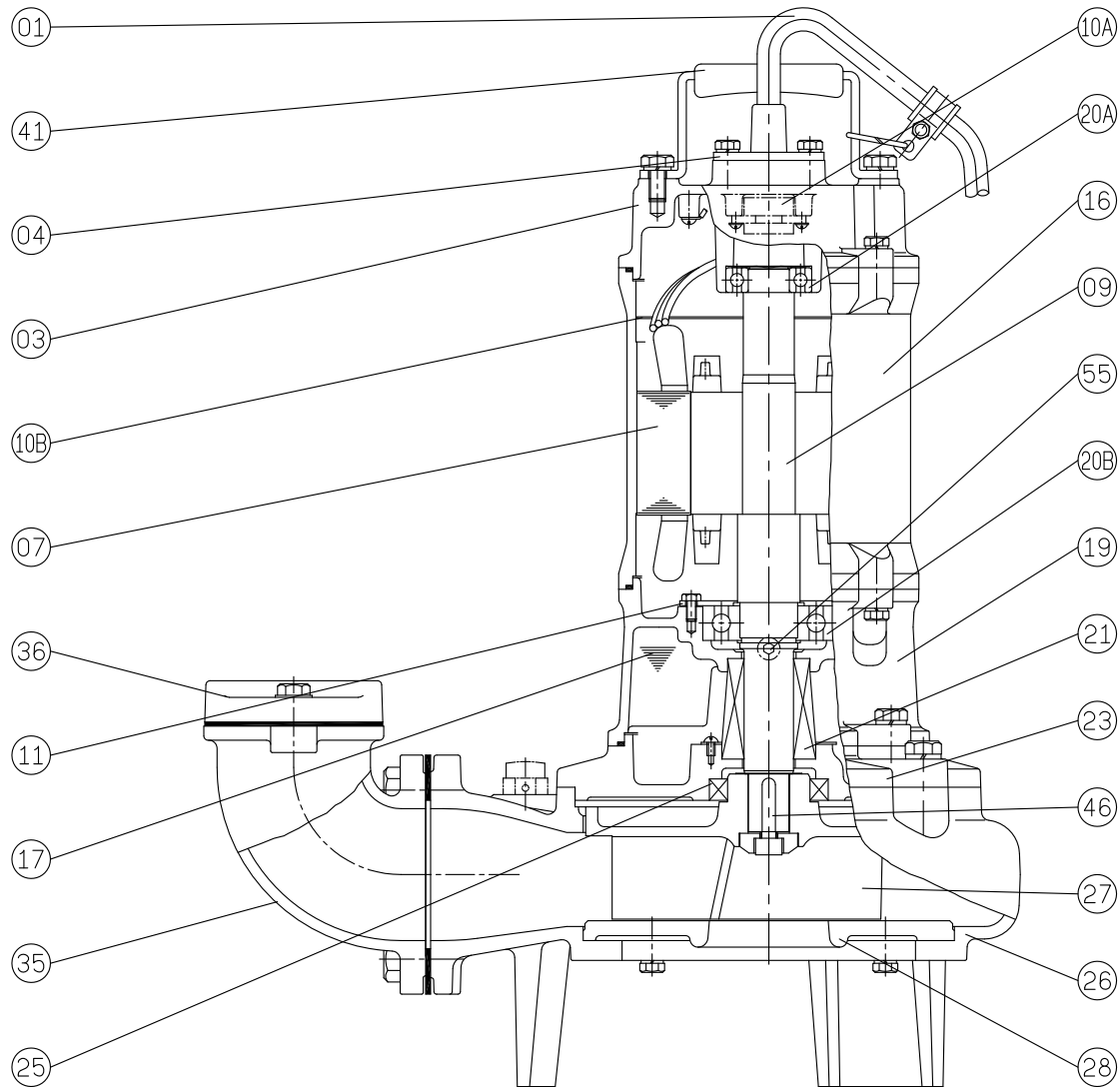
MODEL: 80AFP41.5 1Ø



No.	Part name	Material	QTY	Remark
01	Cable		1	VCT/H07RN-F UL / CSA
03	Upper cover	FC-200	1	
04	Cable base cover	SUS304	1	
06	Bracket	FC-200	1	
07	Stator		1	
09	Shaft(with Rotor)	SUS420J2	1	
10	Auto-cut		1	
11	Bearing fixer	SS41	1	
12	Centrifugal switch		1	
13	Centrifugal switch cover		1	
14A	Capacitor		1	
14B	Start capacitor		1	
16	Motor frame	FC-200	1	
17	Lubricant	Turbine oil #32	1	
19	Bearing bracket	FC-200	1	
20A	Upper bearing		1	

No.	Part name	Material	QTY	Remark
20B	Lower bearing		1	
21	M. seal	CA VS CE SIC VS SIC	1	
23	M. seal bracket	FC-200	1	
25	Oil seal	NBR	1	
26	Casing	FC-200	1	
27	Impeller	FC-200	1	
28	Casing cover	FC-200	1	
35	Coupling	FC-200	1	
36	Flange	FC-200	1	
41	Handle	SUS304	1	
46	Impeller key	SUS304	1	
47	Packing (1 set)		1	
55	Oil plug	SUS304	1	

MODEL: 80AFP41.5 3Ø



No.	Part name	Material	QTY	Remark
01	Cable		1	VCT/H07RN-F UL / CSA
03	Upper cover	FC-200	1	
04	Cable base cover	SUS304	1	
07	Stator		1	
09	Shaft(with Rotor)	SUS420J2	1	
10A	Auto-cut		1	
10B	Auto-cut plate		1	
11	Bearing fixer	SS41	1	
16	Motor frame	FC-200	1	
17	Lubricant	Turbine oil #32	1	
19	Bearing bracket	FC-200	1	
20A	Upper bearing		1	
20B	Lower bearing		1	
21	M. seal	CA VS CE SIC VS SIC	1	

No.	Part name	Material	QTY	Remark
23	M. seal bracket	FC-200	1	
25	Oil seal	NBR	1	
26	Casing	FC-200	1	
27	Impeller	FC-200	1	
28	Casing cover	FC-200	1	
35	Coupling	FC-200	1	
36	Flange	FC-200	1	
41	Handle	SUS304	1	
46	Impeller key	SUS304	1	
47	Packing (1 set)		1	
55	Oil plug	SUS304	1	