

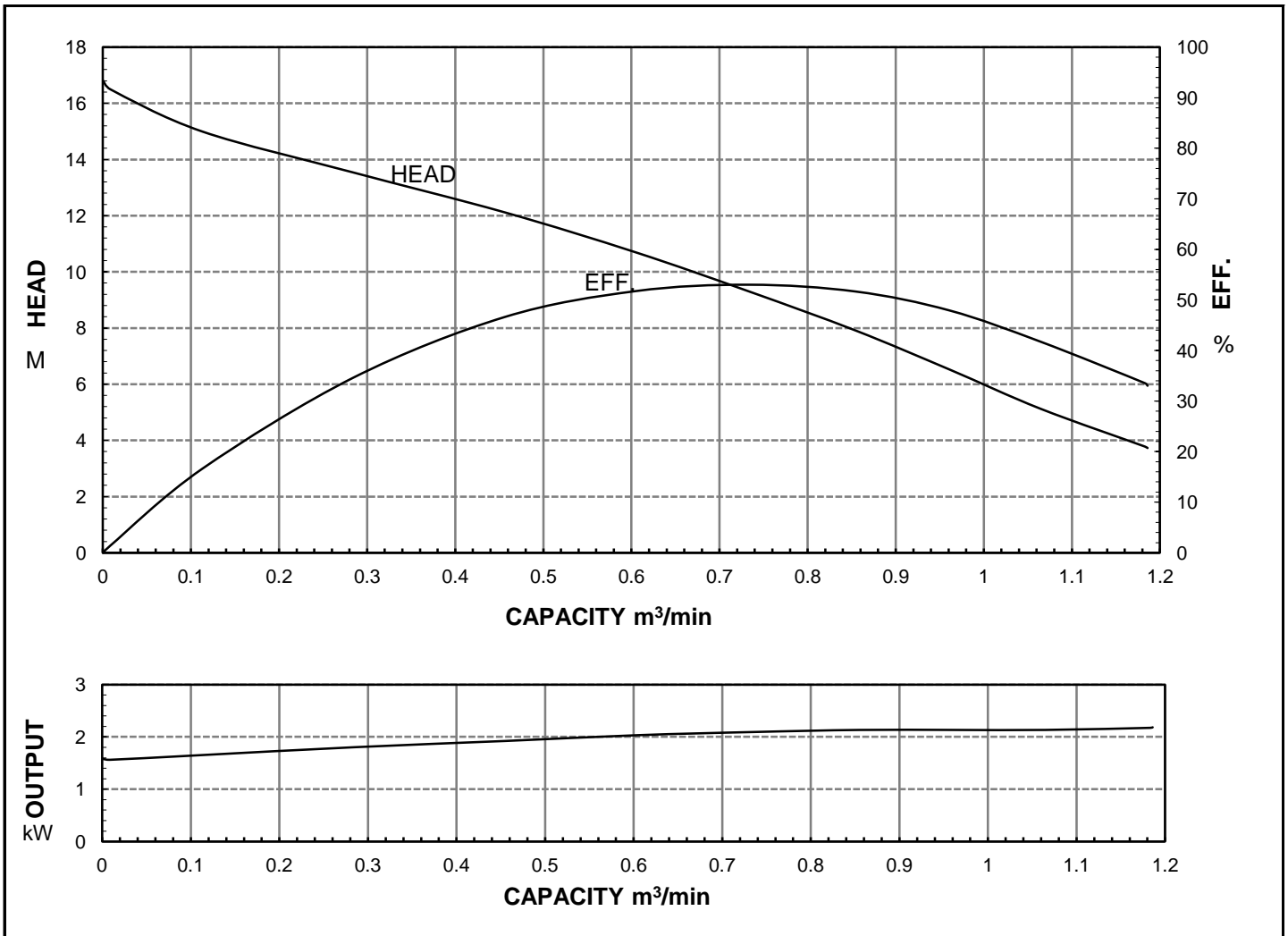


HCP PUMP

FILE NO PC-M-E5-80AFP42.2

PUMP PERFORMANCE CURVES

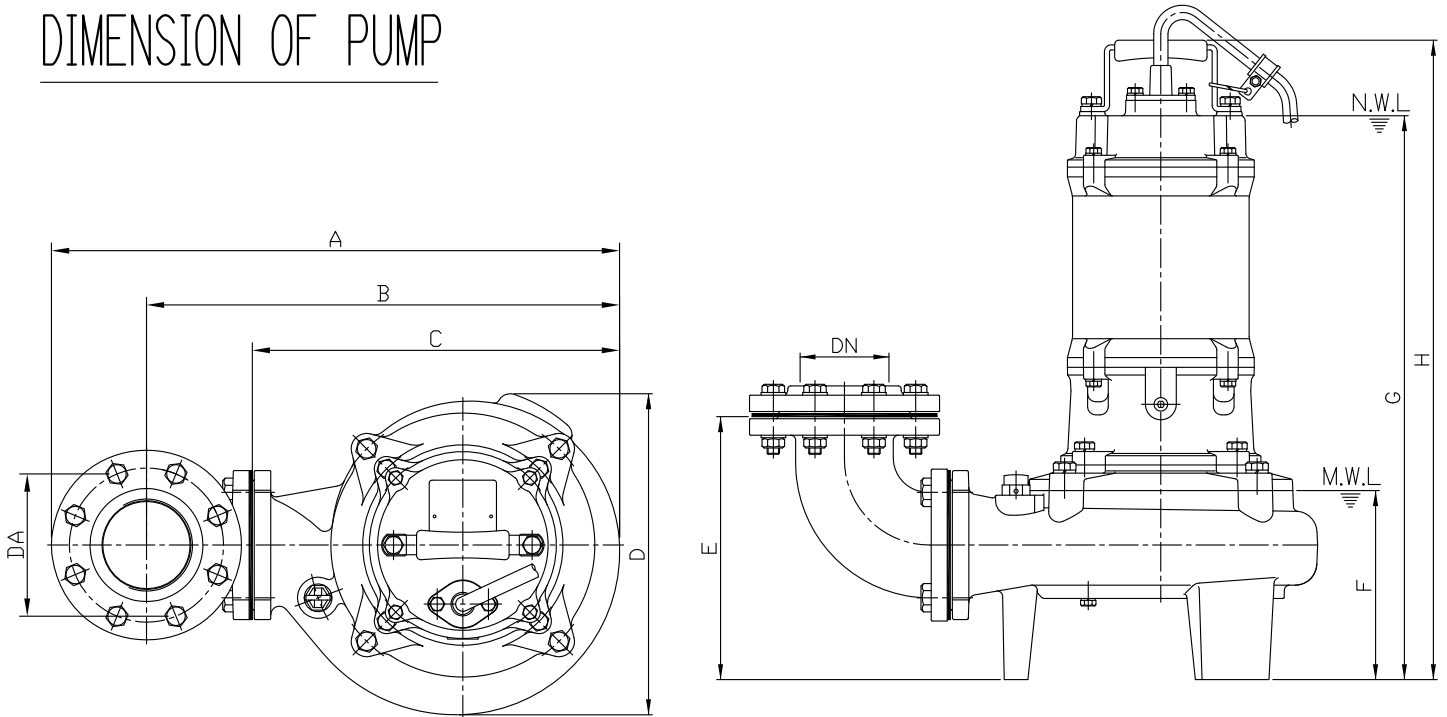
MODEL	80AFP42.2				DATE:	2011.1
	STANDARD SPECIFICATION				REFERENCE SPECIFICATION	
FREQUENCY	50			Hz		
DISCHARGE	3	inch	/	80	mm	
OUTPUT	3	HP	/	2.2	kW	HP kW
HEAD	10			M		
CAPACITY	0.6			m ³ /min		
PHASE/VOLTAGE	3 φ	230 V	380 V	400 V	415 V	φ V
RATED CURRENT		9.2 A	5.5 A	5.4 A	5.1 A	A
POLE / R.P.M.	4	P	/	1400	R.P.M.	
START METHOD	DIRECT					
INSULATION CLASS	F					
REMARK						



HCP PUMP MANUFACTURER CO.,LTD.

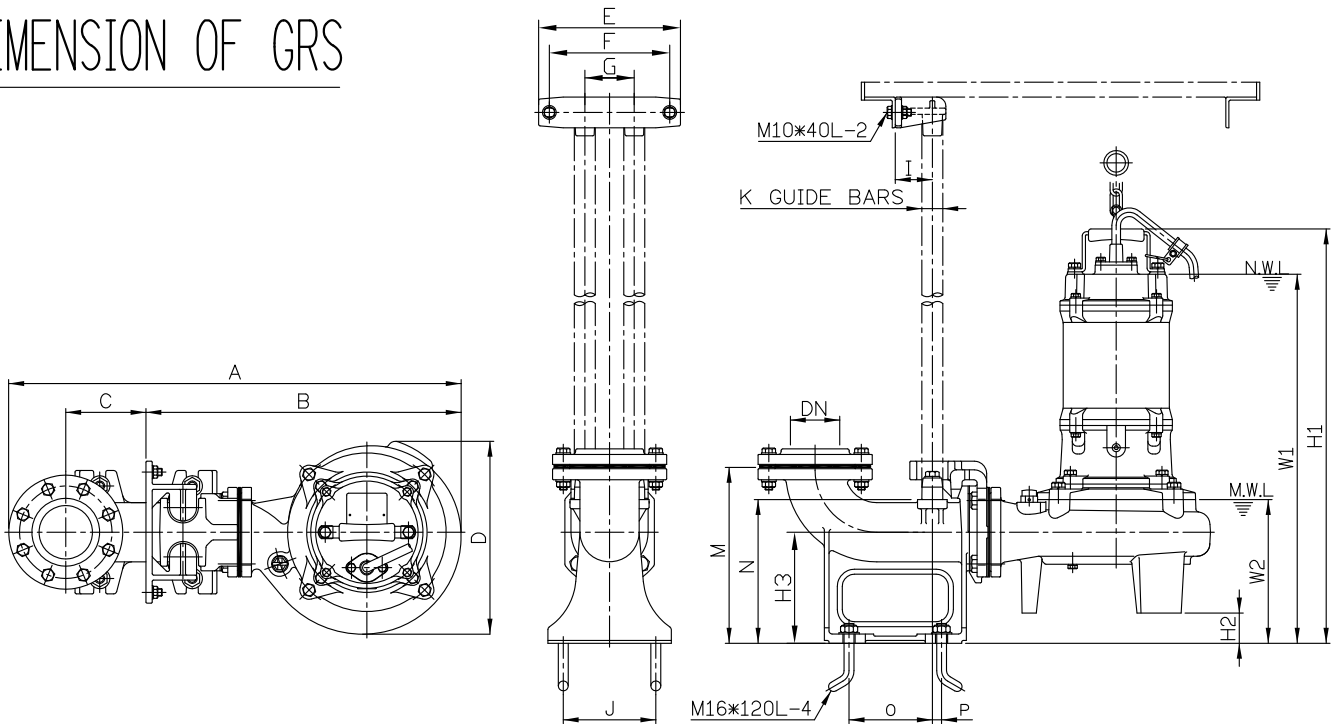
MODEL: 80AFP42.2;80(100)AFP43.7

DIMENSION OF PUMP



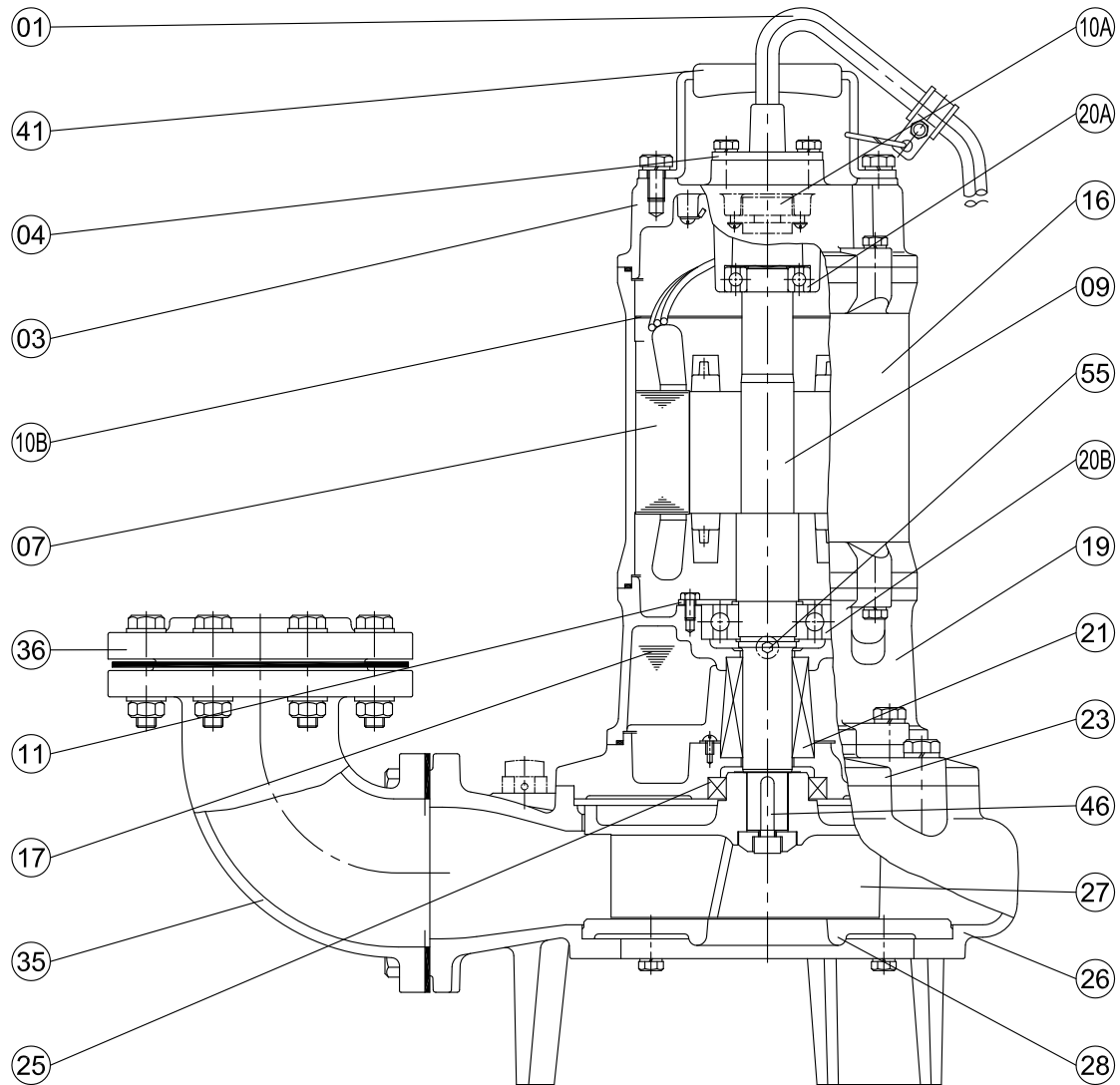
Model	DN	DA	A	B	C	D	E	F	G	H
80AFP42.2	80	150	553	461	437	313	256	184	550	623
80AFP43.7	80	150	553	461	437	313	256	184	570	643
100AFP43.7	100	175	571	466	437	313	256	184	570	643

DIMENSION OF GRS



Model	DN	A	B	C	D	E	F	G	I	J	K	M	N	O	P	W1	W2	H1	H2	H3
80AFP42.2	80	734	511	130	313	230	195	80	60	150	1 1/4	285	233	135	15	599	233	672	49	180
80AFP43.7	80	734	511	130	313	230	195	80	60	150	1 1/4	285	233	135	15	619	233	692	49	180
100AFP43.7	100	781	511	166	313	230	195	80	60	170	1 1/4	290	238	155	15	619	233	692	49	185

MODEL: 80AFP42.2;80(100)AFP43.7 3Ø



No.	Part name	Material	QTY	Remark
01	Cable		1	VCT/H07RN-F UL / CSA
03	Upper cover	FC-200	1	
04	Cable base cover	SUS304	1	
07	Stator		1	
09	Shaft(with Rotor)	SUS420J2	1	
10A	Auto-cut		1	
10B	Auto-cut plate		1	
11	Bearing fixer	SS41	1	
16	Motor frame	FC-200	1	
17	Lubricant	Turbine oil #32	1	
19	Bearing bracket	FC-200	1	
20A	Upper bearing		1	
20B	Lower bearing		1	
21	M. seal	CA VS CE SIC VS SIC	1	

No.	Part name	Material	QTY	Remark
23	M. seal bracket	FC-200	1	
25	Oil seal	NBR	1	
26	Casing	FC-200	1	
27	Impeller	FC-200	1	
28	Casing cover	FC-200	1	
35	Coupling	FC-200	1	
36	Flange	FC-200	1	
41	Handle	SUS304	1	
46	Impeller key	SUS304	1	
47	Packing (1 set)		1	
55	Oil plug	SUS304	1	