

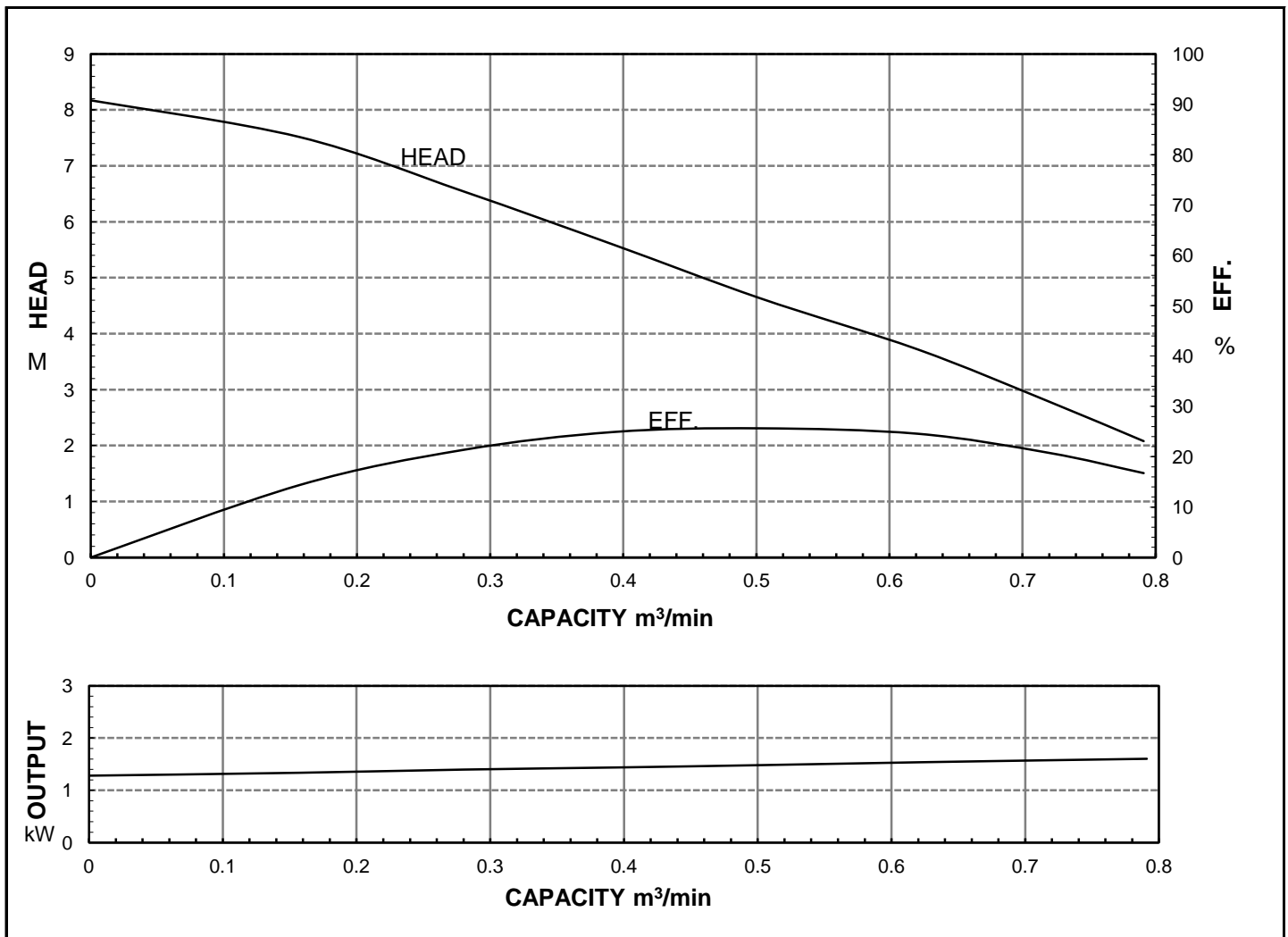


HCP PUMP

FILE NO PC-M-E5-80AFU21.5L1

PUMP PERFORMANCE CURVES

MODEL	80AFU21.5L					DATE:	2010.11	
	STANDARD SPECIFICATION					REFERENCE SPECIFICATION		
FREQUENCY	50 Hz							
DISCHARGE	3	inch	/	80	mm			
OUTPUT	2	HP	/	1.5	kW	HP	kW	
HEAD	4.5 M							
CAPACITY	0.5 m ³ /min							
PHASE/VOLTAGE	1 ϕ	220 V	230 V	240 V			ϕ	V
RATED CURRENT		10.4 A	10.0 A	9.8 A				A
POLE / R.P.M.	2	P	/	2820	R.P.M.			
START METHOD	DIRECT							
INSULATION CLASS	B							
REMARK								



HCP PUMP MANUFACTURER CO.,LTD.

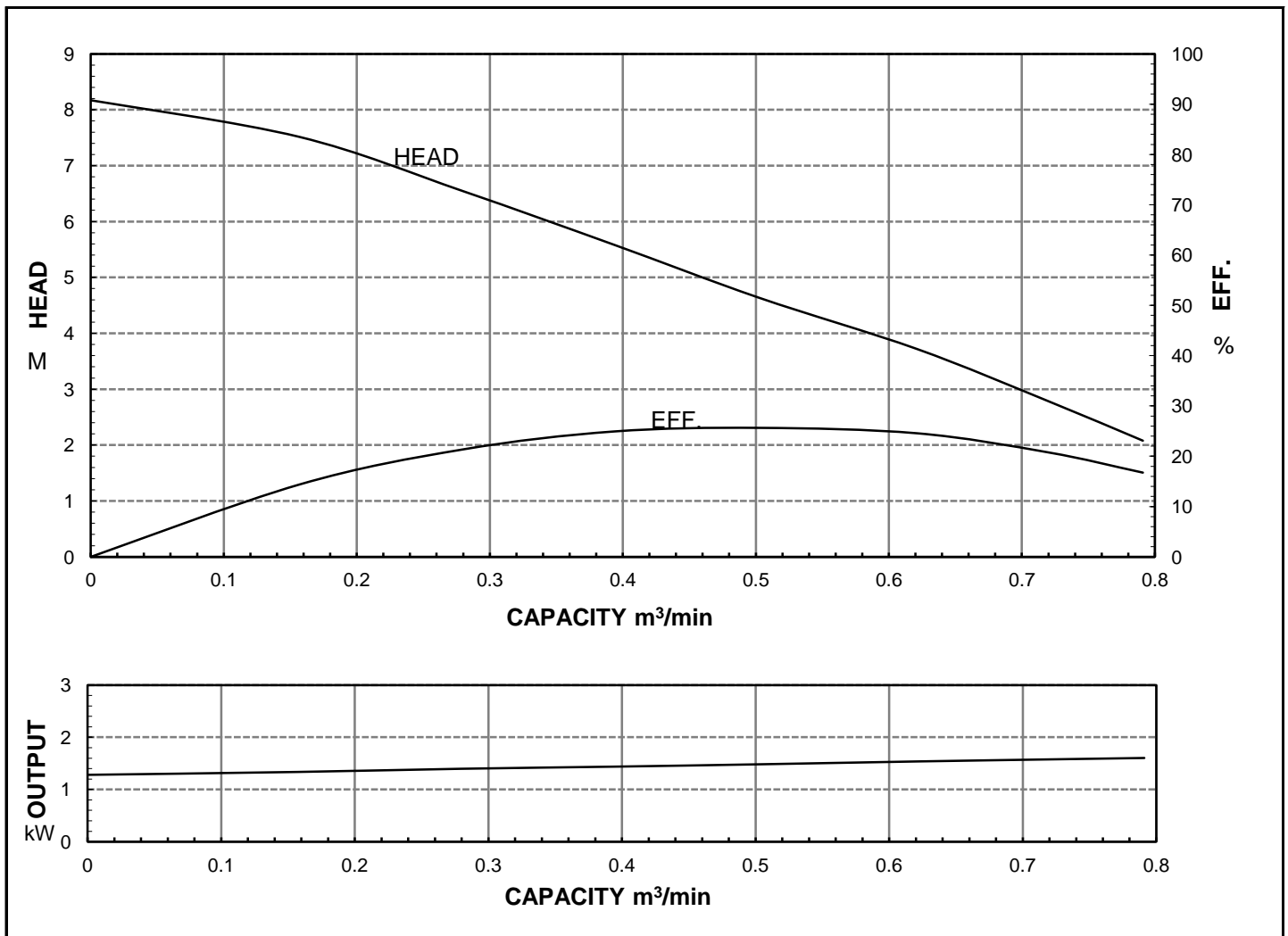


HCP PUMP

FILE NO PC-M-E5-80AFU21.5L3

PUMP PERFORMANCE CURVES

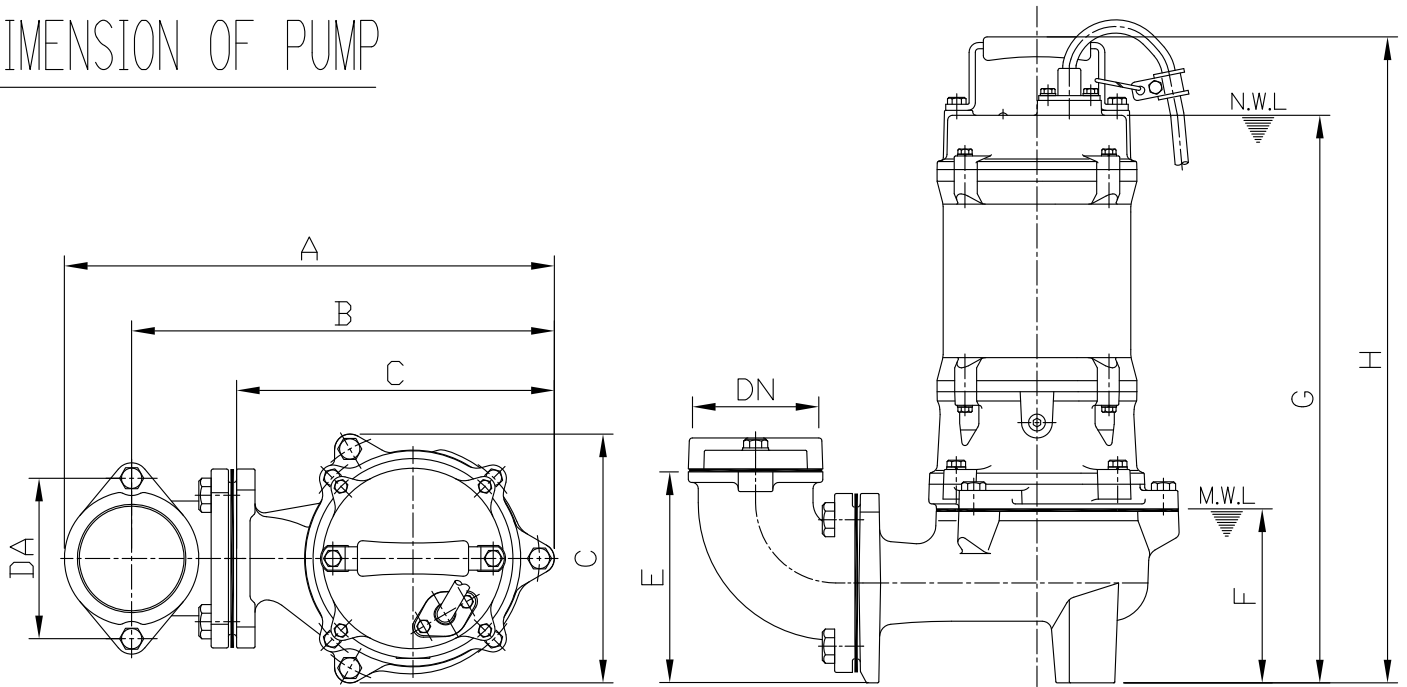
MODEL	80AFU21.5L				DATE:	2010.11
	STANDARD SPECIFICATION				REFERENCE SPECIFICATION	
FREQUENCY	50			Hz		
DISCHARGE	3	inch	/	80	mm	
OUTPUT	2	HP	/	1.5	kW	HP kW
HEAD	4.5			M		
CAPACITY	0.5			m ³ /min		
PHASE/VOLTAGE	3 ϕ	230 V	380 V	400 V	415 V	ϕ V
RATED CURRENT		6.1 A	3.6 A	3.5 A	3.4 A	A
POLE / R.P.M.	2	P	/	2820	R.P.M.	
START METHOD	DIRECT					
INSULATION CLASS	B					
REMARK						



HCP PUMP MANUFACTURER CO.,LTD.

MODEL: 80AFU21.5;80AFU22.2;80AFU21.5L;80AFU22.2L

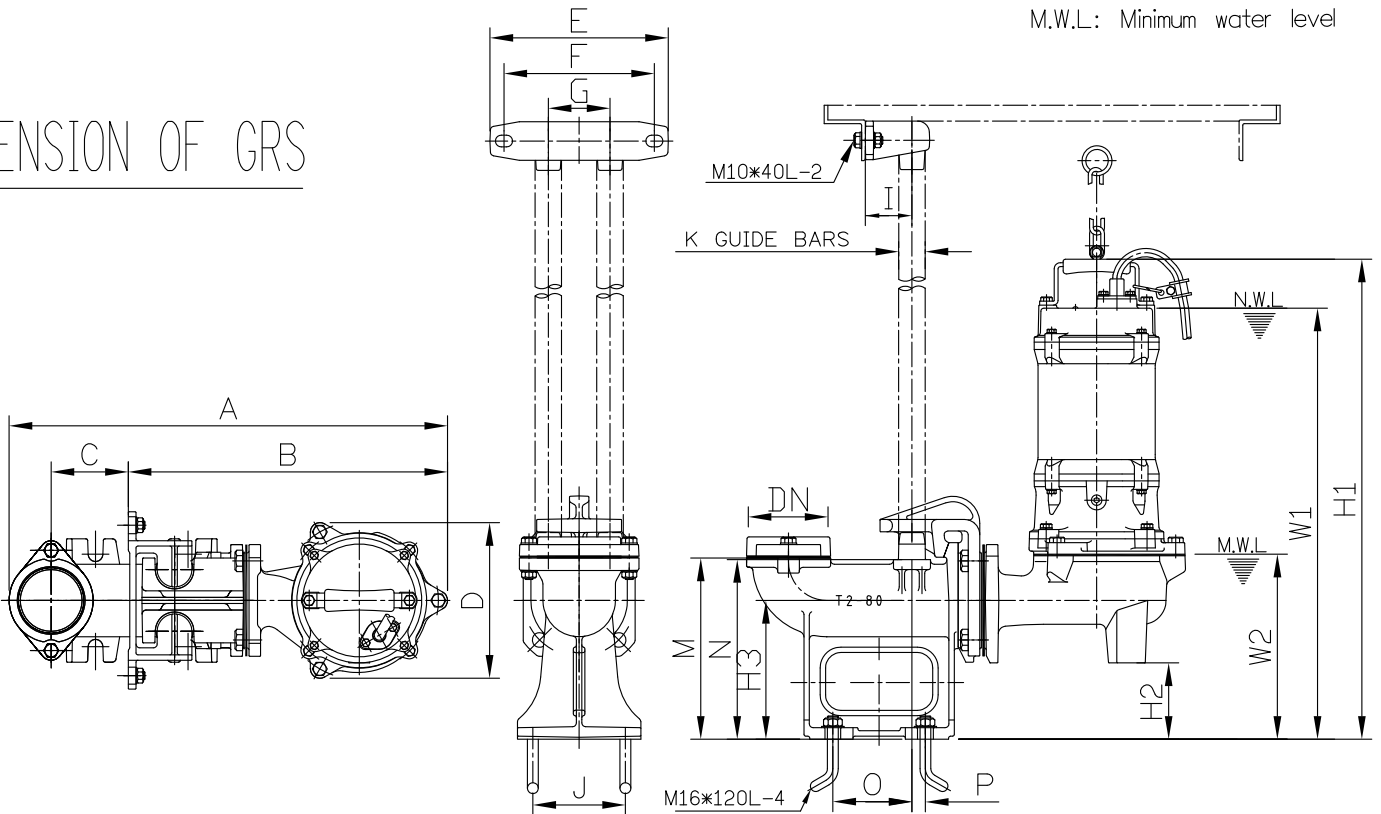
DIMENSION OF PUMP



Model	DN	DA	A	B	C	D	E	F	G	H
80AFU21.5	80	80	379	258	241	202	204	140	460(511)	524(575)
80AFU22.2	80	80	379	258	241	202	204	140	460(544)	524(607)
80AFU21.5L	80	80	402	348	265	217	210	190	512(563)	575(626)
80AFU22.2L	80	80	402	348	265	217	210	190	512(596)	524(659)

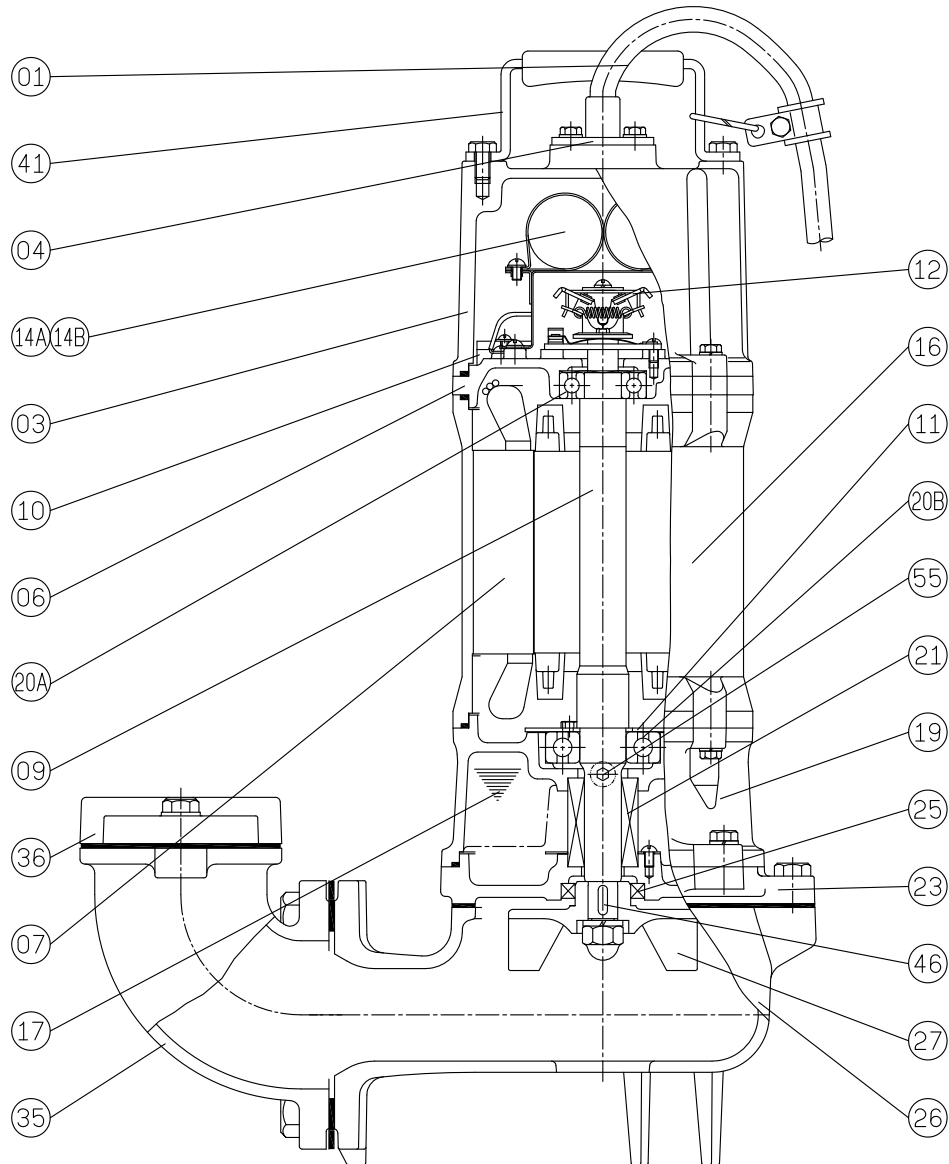
Remark: ()Dimensions in 1Ø
 N.W.L.: Normal water level
 M.W.L.: Minimum water level

DIMENSION OF GRS



Model	DN	A	B	C	D	E	F	G	I	J	K	M	N	O	P	W1	W2	H1	H2	H3
80AFU21.5	80	569	414	100	202	230	195	80	60	120	1 1/4	235	233	103	18	559(610)	240	623(674)	99	180
80AFU22.2	80	569	414	100	202	230	195	80	60	120	1 1/4	235	233	103	18	559(643)	240	623(707)	99	180
80AFU21.5L	80	592	421	100	217	230	195	80	60	120	1 1/4	235	233	103	18	572(623)	250	635(686)	60	180
80AFU22.2L	80	592	421	100	217	230	195	80	60	120	1 1/4	235	233	103	18	572(656)	250	635(719)	60	180

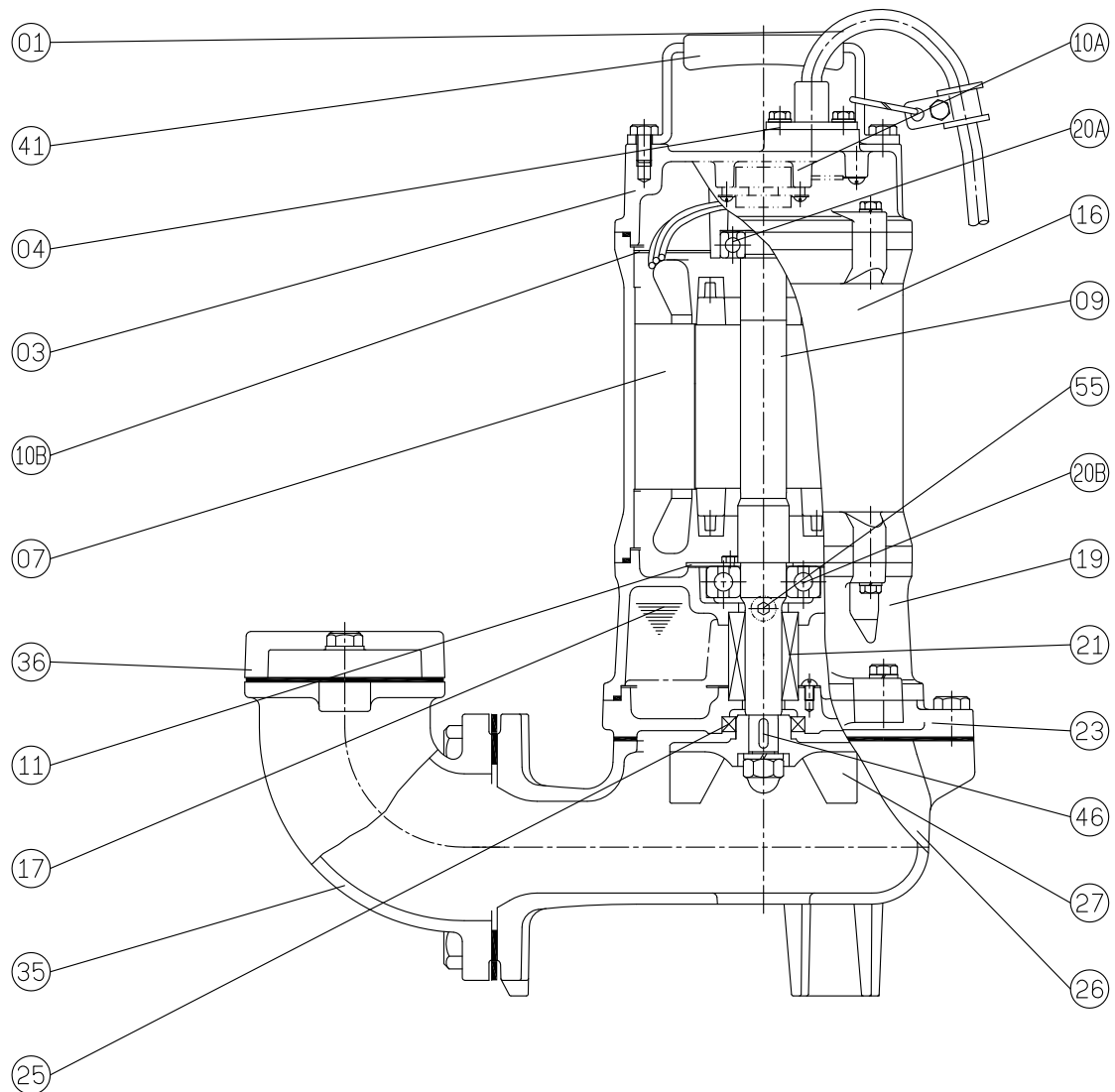
MODEL: 80AFU21.5;80AFU22.2;80AFU21.5L;80AFU22.2L 1 Ø



No.	Part name	Material	QTY	Remark
01	Cable	VCT	1	
03	Upper cover	FC-200	1	
04	Cable base cover	SUS304	1	
06	Bracket	FC-200	1	
07	Stator		1	
09	Shaft(with Rotor)	SUS403	1	
10	Auto-cut		1	
11	Bearing fixer	SPCC	1	
12	Centrifugal switch		1	
13	Centrifugal switch cover		1	
14A	Capacitor		1	
14B	Start capacitor		1	
16	Motor frame	FC-200	1	
17	Lubricant	Turbine oil #32	1	
19	Bearing bracket	FC-200	1	
20A	Upper bearing		1	

No.	Part name	Material	QTY	Remark
20B	Lower bearing		1	
21	M. seal	CA VS CE SIC VS SIC	1	
23	M. seal bracket	FC-200	1	
25	Oil seal	NBR	1	
26	Casing	FC-200	1	
27	Impeller	FC-200	1	
35	Coupling	FC-200	1	
36	Flange	FC-200	1	
41	Handle	304+NBR	1	
46	Impeller key	SUS304	1	
47	Packing (1 set)		1	
55	Oil plug	SUS304	1	

MODEL: 80AFU21.5;80AFU22.2;80AFU21.5L;80AFU22.2L 3Ø



No.	Part name	Material	QTY	Remark
01	Cable	VCT	1	
03	Upper cover	FC-200	1	
04	Cable base cover	SUS304	1	
07	Stator		1	
09	Shaft(with Rotor)	SUS420J2	1	
10A	Auto-cut		1	
10B	Auto-cut plate		1	
11	Bearing fixer	SS41	1	
16	Motor frame	FC-200	1	
17	Lubricant	Turbine oil #32	1	
19	Bearing bracket	FC-200	1	
20A	Upper bearing		1	
20B	Lower bearing		1	

No.	Part name	Material	QTY	Remark
21	M. seal	CA VS CE SIC VS SIC	1	
23	M. seal bracket	FC-200	1	
25	Oil seal	NBR	1	
26	Casing	FC-200	1	
27	Impeller	FC-200	1	
28	Casing cover	FC-200	1	
35	Coupling	FC-200	1	
36	Flange	FC-200	1	
41	Handle	304+NBR	1	
46	Impeller key	SUS304	1	
47	Packing (1 set)		1	
55	Oil plug	SUS304	1	